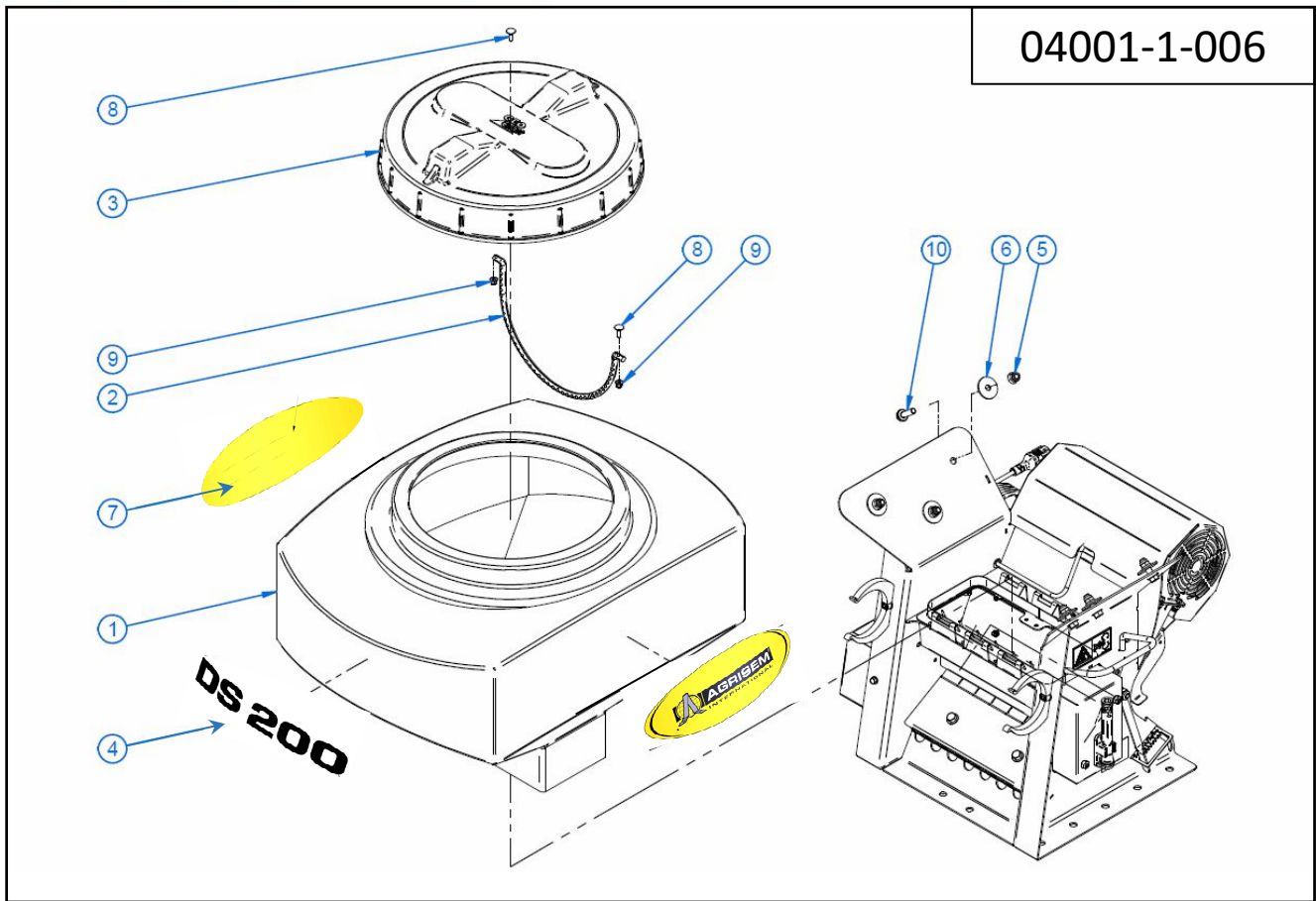
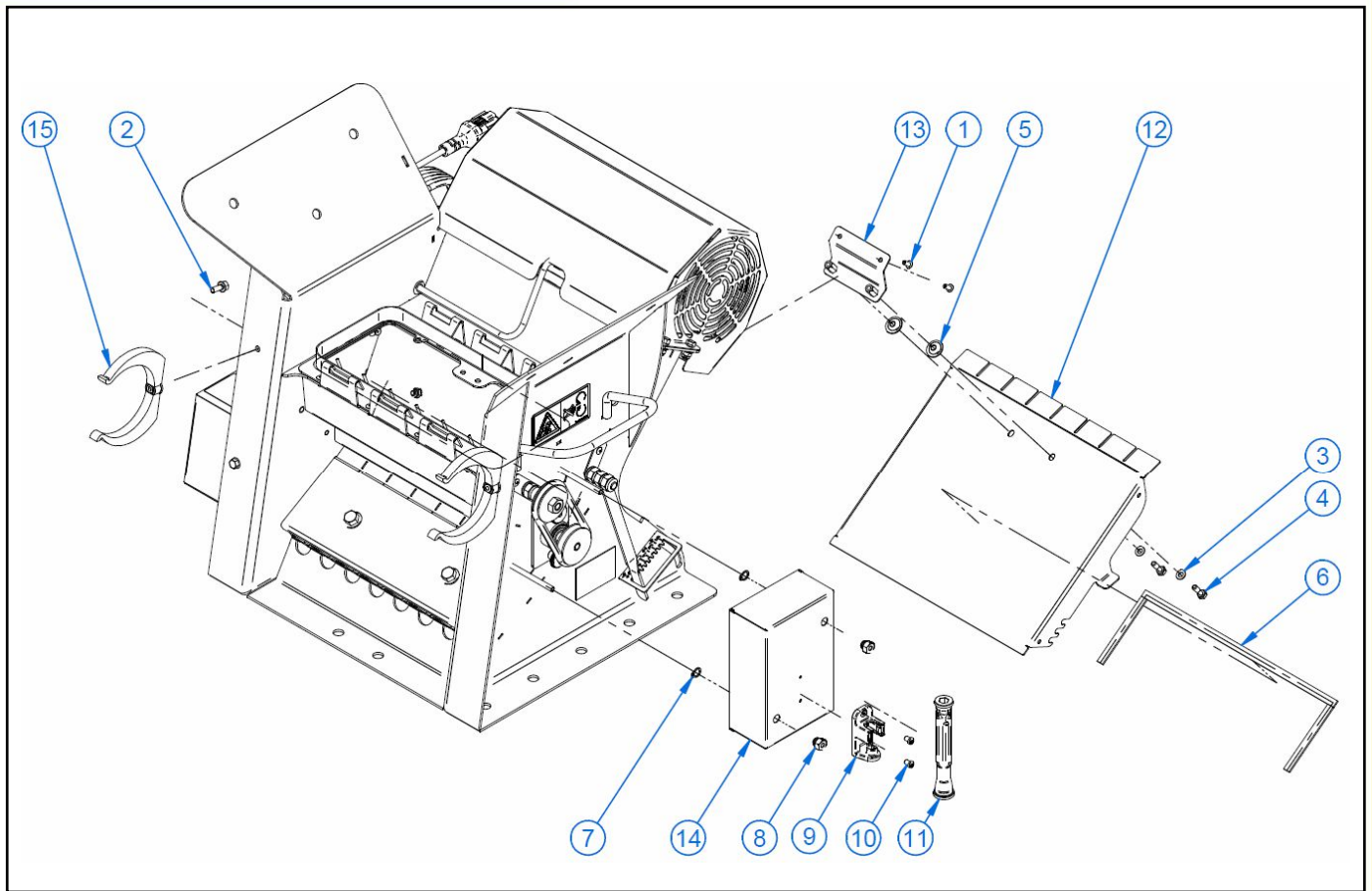


04001-1-006



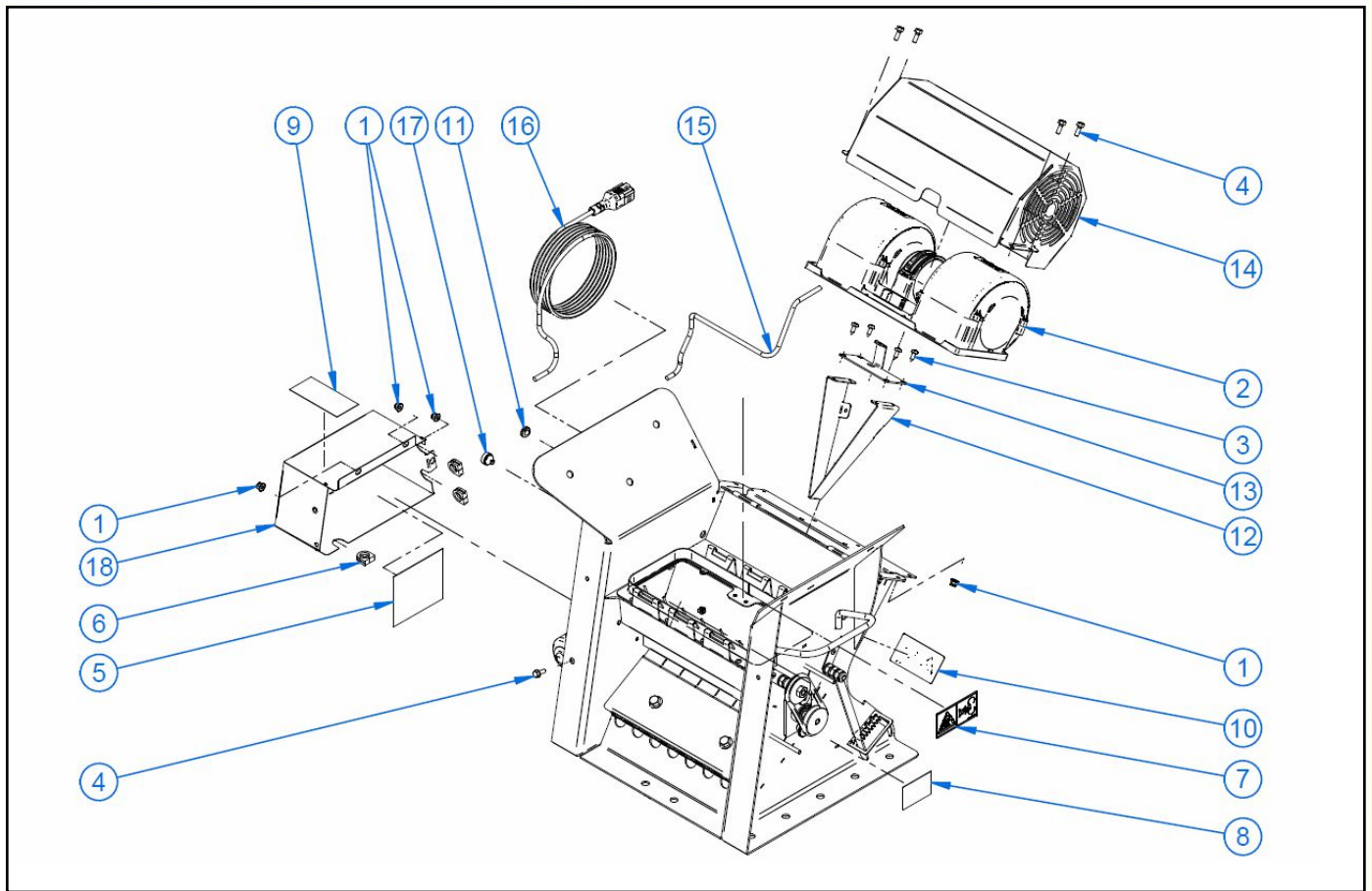
Pos.	Art.Nr.	Name_EN	DESIGNATION	Menge
1	00600-3-601	Tank 200L RAL1021	Trémie 200 L	1
2	00201-3-623	Knotted-link chain 600mm	Chaîne	1
3	00600-3-619	Tank cover 1 RAL9005	Couvercle de trémie	1
4	ETIQ-993	Sticker DS 200	Autocollant DS 200	1
5	BN6783-M10	Flanged nut	Ecrou	6
6	BN732-M10x40	Large-diameter washer	Rondelle	6
7	ETIQ-992	Sticker AGRISEM	Autocollant AGRISEM	2
8	BN248-M6x20	Gate hinge screw	Vis M6x20	2
9	BN6783-M6	Flanged nut	Ecrou	2
10	BN41200-M10x35	Hexagonal bolt with flange	Vis M10x35	6





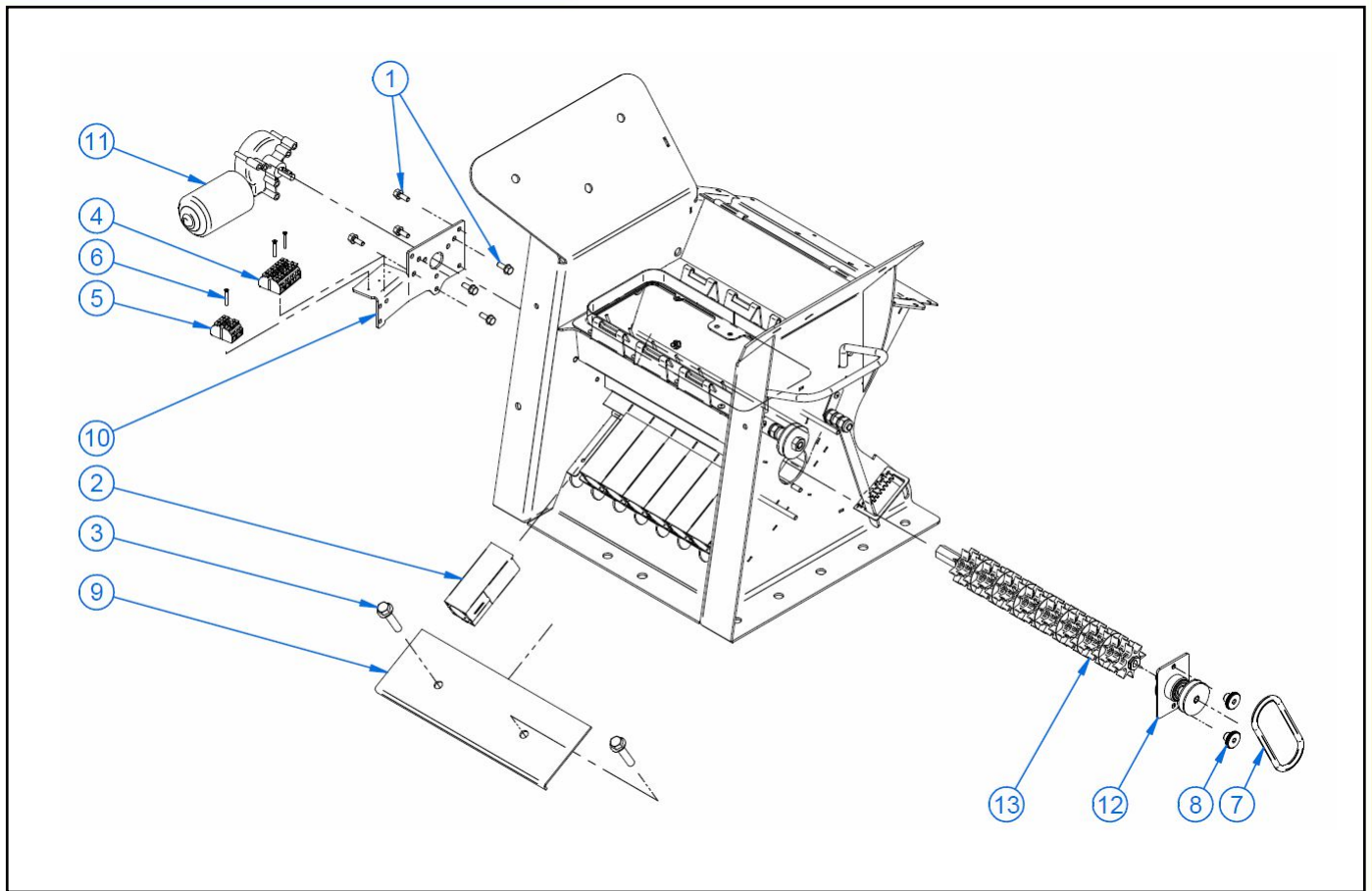
Pos.	Art.Nr.	Name_EN	DESIGNATION	Menge
1	BN924-4,8x10,9	Flat round blind rivets	Vis M4,8x10,9	2
2	BN41200-M6x16	Hexagonal bolt with flange	Vis M6x16	2
3	BN670-M6	Washer	Rondelle	2
4	AAN18-M6x20	hexagon bolt with narrow shaft	Vis M6x20	2
5	AAN22-M6	Disc for thin setscrew		2
6	00600-5-095	Sealing band 2x9		0,50 m
7	BN819-10	Shaft retaining ring		2
8	00600-3-612	Hexagonal nut M6 WAF13 retaining ring		2
9	00603-3-661	Holder STS		1
10	BN994-4,2x9,5	Pan head screw		2
11	04000-3-055	Socket wrench APV		1
12	04000-2-367	Calibration slide P8 RAL3020	Plaque de Calibration	1
13	04000-2-368	Mounting plate ADR P8 RAL3020 mont1		1
14	04000-2-366	Cover belt P8 RAL3020	Couvercle	1
15	00300-2-209	Roll holder 100 installed		2





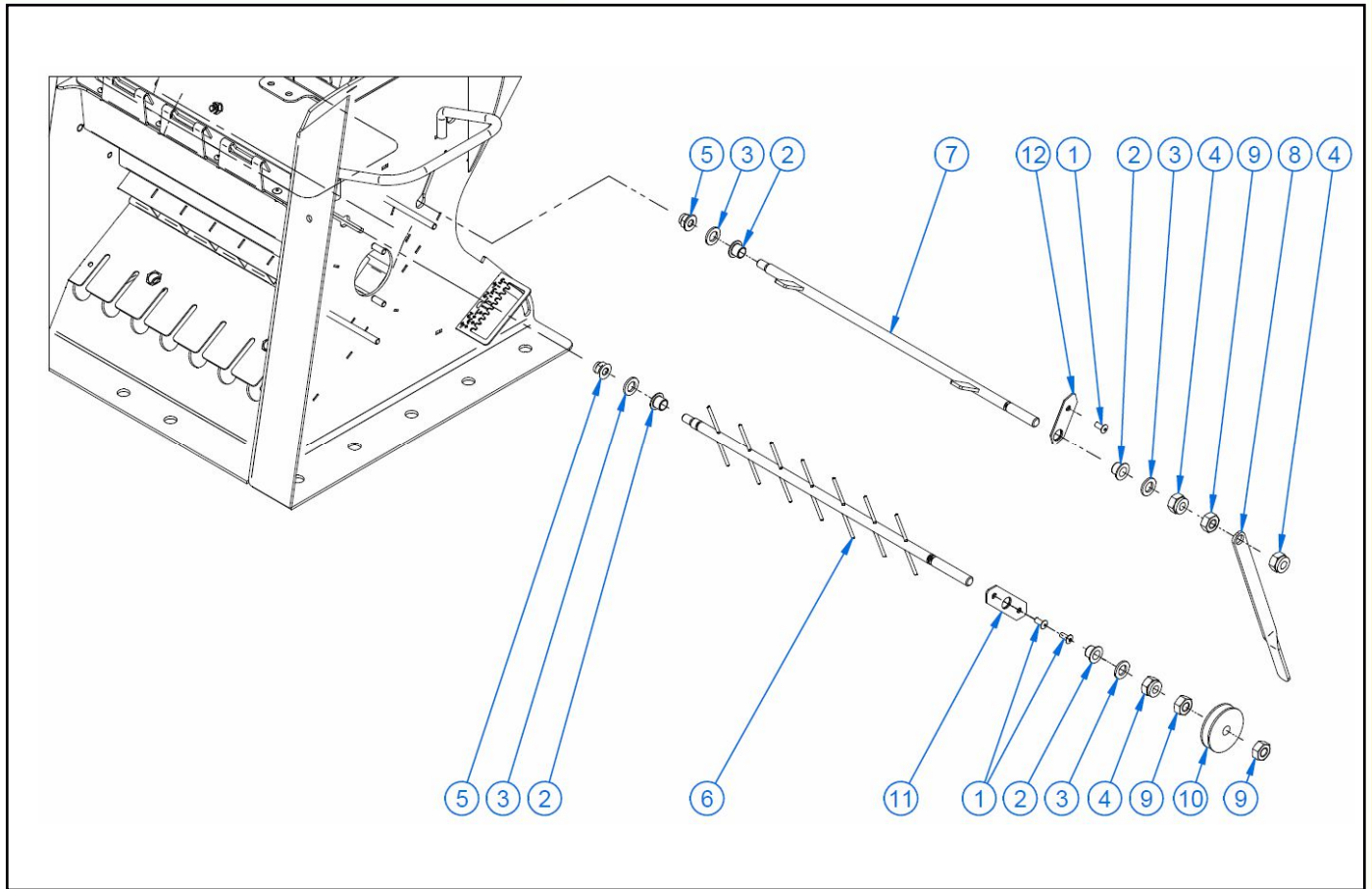
Pos.	Art.Nr.	Name_EN	DESIGNATION	Menge
1	BN6783-M6	Flanged nut		7
2	00603-2-684	Double fan	Turbine	1
3	BN13274-5,5x16	Sheet metal screw		4
4	BN41200-M6x16	Hexagonal bolt with flange		5
5	00601-3-011	ak connection plan ps mx 3 115x100		1
6	00601-3-189	Grommet DUC-1475		3
7	00600-3-484	Sticker safety 02 96x50		1
8	00600-3-049	Sticker sweeper adjustment 65x45		1
9	00601-3-639	Sticker Notice BA 110x50	Autocollant	1
10	00600-3-483	Sticker safety 01 96x50	Autocollant	1
11	00604-3-679	Grommet 10x12x2		1
12	04000-2-381	Flow sheet metal P8 galvanised		1
13	04000-2-380	Bracing double fan P8 galvanised		1
14	04000-2-364	Cover fan P8 RAL3020	Couvercle de Turbine	1
15	00410-2-137	Fan connection cable MX 3		1
16	00410-2-077	Machine cable PS MX 3	Câble de connexion au boîtier	1
17	00603-3-686	Grommet DNG M16		1
18	04000-2-365	Cover GM P8 RAL3020 inst1	Couvercle	1





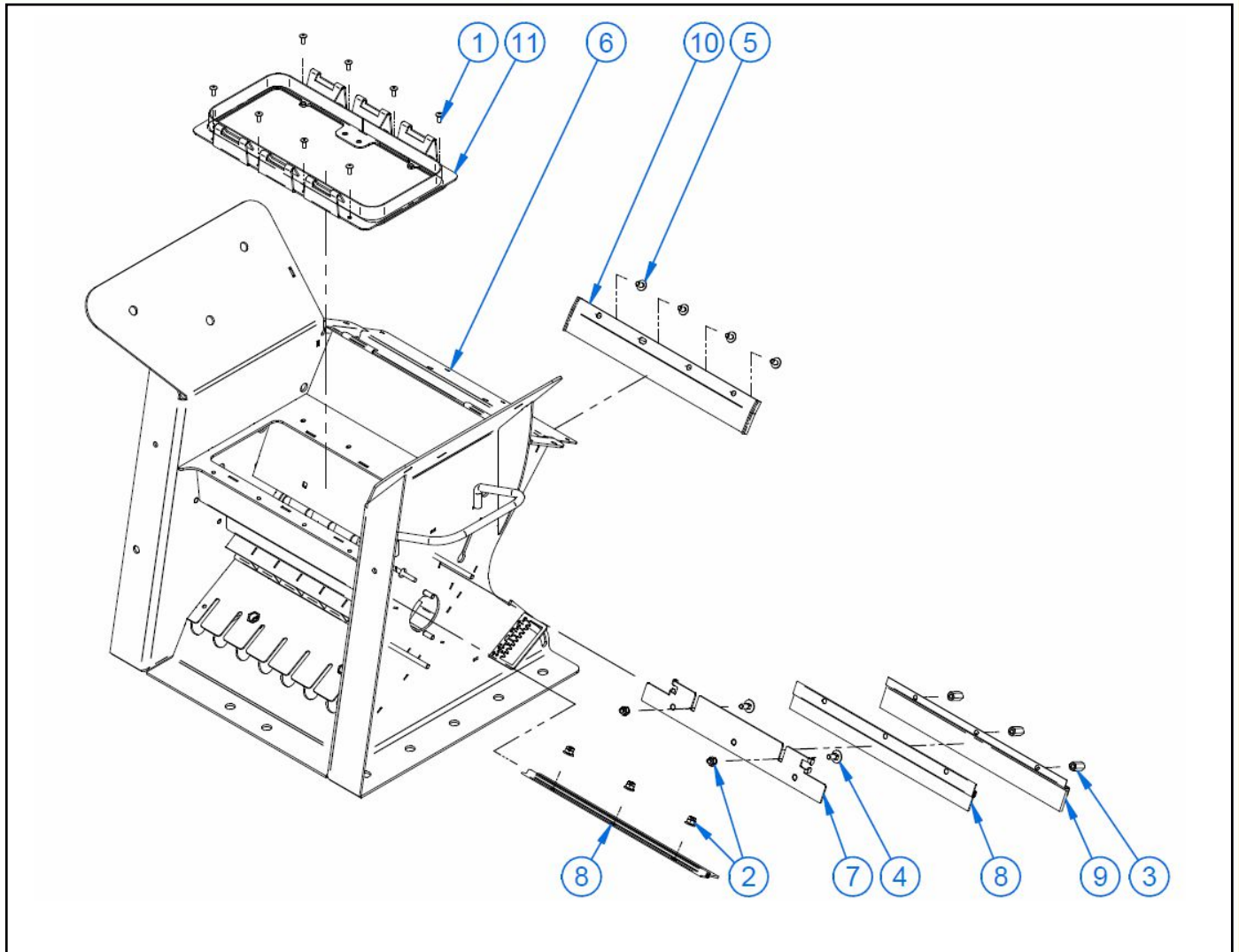
Pos.	Art.Nr.	Name_EN	DESIGNATION	Menge
1	BN41200-M6x16	Hexagonal bolt with flange		6
2	04000-3-600	Adapter 1		8
3	BN41200-M10x50	Hexagonal screw with flange		2
4	00605-3-604	Four-conductor terminal, 4 pole		1
5	00605-3-603	Four-conductor terminal, 2 pole		1
6	BN388-M3x25	Countersunk screw		3
7	00600-3-625	Rubber driving belt	Courroie de distribution	1
8	BN215-M6	Knurled nut		2
9	04000-2-379	Hose clamping plate P8 RAL3020	Plaque pour tuyau	1
10	04000-2-376	Motor bracket P8 RAL9005		1
11	00603-2-683	P8 drive motor installed1	Moteur	1
12	04000-2-399	Bearing flange P8, installed	Palier	1
13	04001-2-110	Sowing shaft P8 GGG, installed	Train de cannelure GGG	1





Pos.	Art.Nr.	Name_EN	DESIGNATION	Menge
1	BN924-4,8x10,9	Flat round blind rivets		3
2	04001-5-703	GFM-1012-10-2		4
3	BN715-M10	Washer		4
4	BN161-M10	Lock nut		3
5	BN6783-M8	Flanged nut		2
6	04000-2-466	Agitator P8 galvanised		1
7	04000-2-467	Sweeper adjust shaft P8 galvanised		1
8	04000-2-377	Sweeper adjust lever P8 galvanised		1
9	BN117-M10	Hexagonal nut		3
10	04011-3-204	Pulley		2
11	04000-2-374	Cover agitator RAL3020 inst		1
12	04000-2-373	Cover sweeper adjusting RAL3020 inst		1





Pos.	Art.Nr.	Name_EN	Menge
1	BN924-4,8x10,9	Flat round blind rivets	9
2	BN6783-M6	Flanged nut	7
3	BN1933-M6x18	Screw socket	3
4	BN248-M6x16	Gate hinge screw	2
5	BN20367-M6x10	Pan screw with flange	4
6	04000-2-361	Steel frame P8 RAL3020 installed1	1
7	04000-2-371	Besenverstellchiene P8 verzinkt	1
8	04001-4-104	Sweeper, installed1	2
9	08001-2-022	Sylodyn elbow installed to aluminium rai	1
10	04000-2-382	Air shaft sheet metal P8 RAL9005 inst1	1
11	04000-2-369	Tank receptacle P8 RAL3020 inst1	1

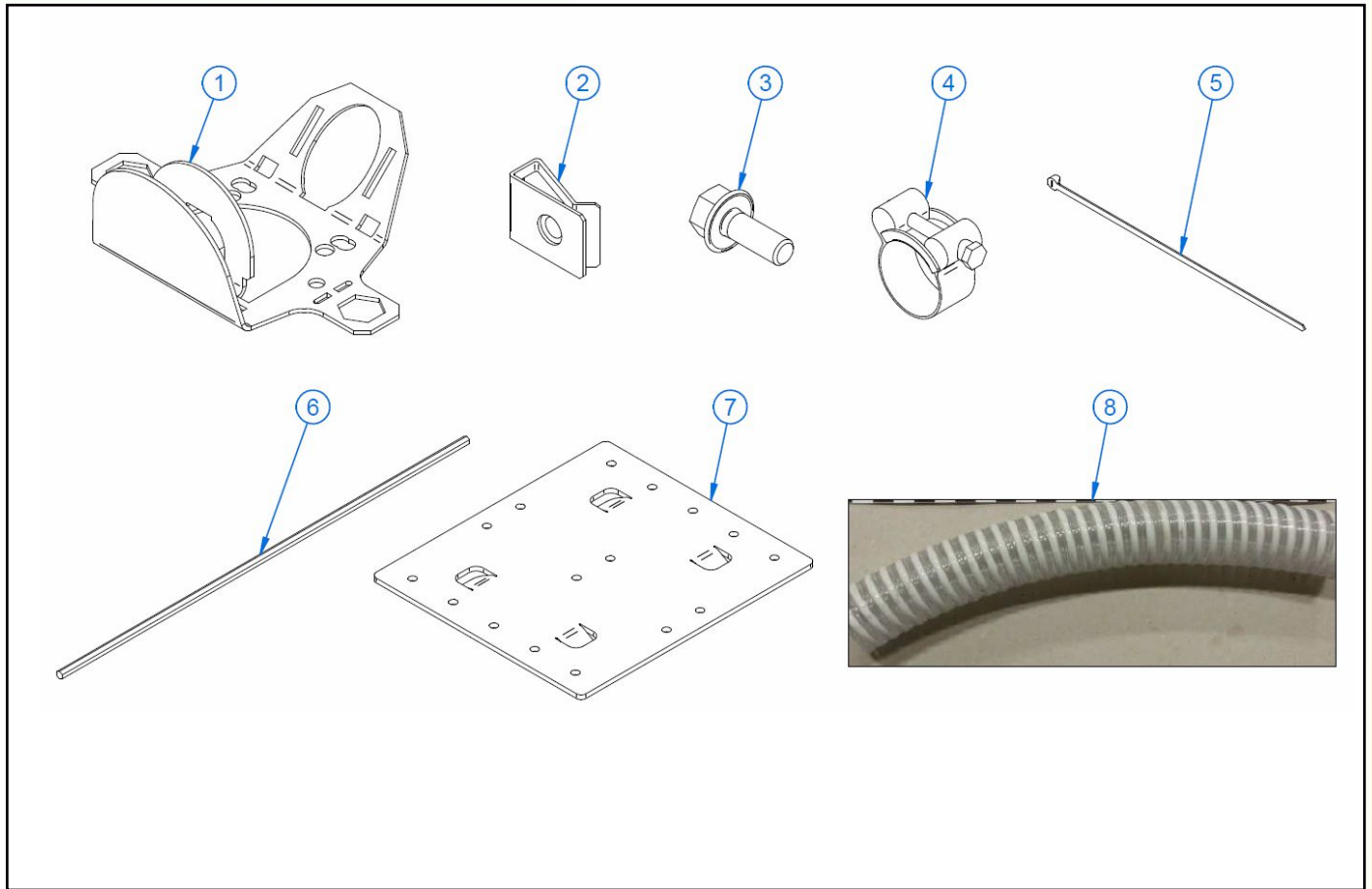





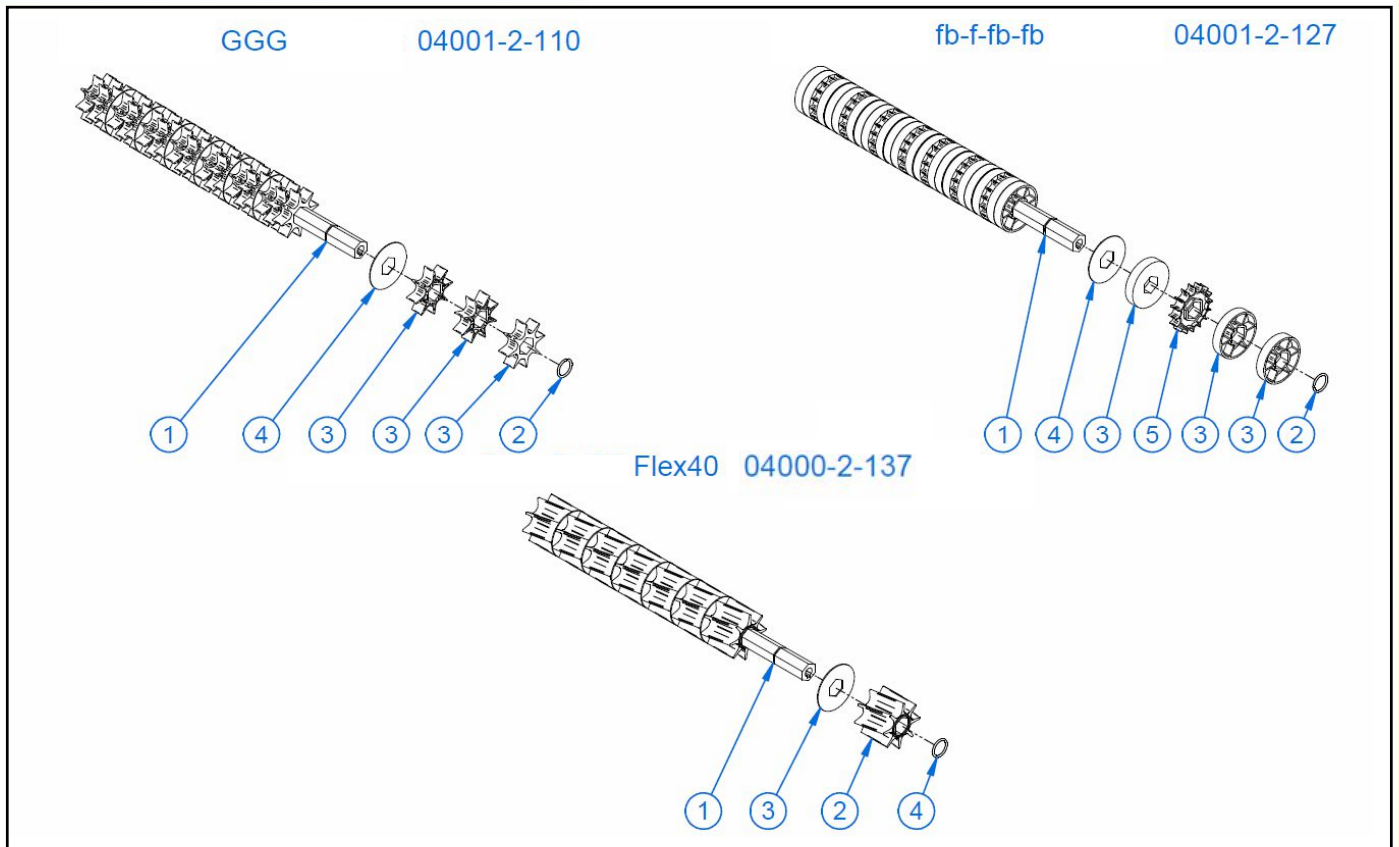
Pos.	Art.Nr.
1	00604-5-603
2	00604-5-602
3	00201-3-689
4	00202-3-093
5	04001-2-127
6	00600-3-231




Name_EN	DESIGNATION	Menge
Outer section 100x55, RAL3020		1
Inner section 100x390, APV		1
Calibration bag PS devices	Sac	1
Scales for calibration test	Balance	1
Sowing shaft P8 fb-fb-fb, installed	Train de cannelure	1
Extension guideline V 1.X de	Manuel	1




Pos.	Art.Nr.		Name_EN	DESIGNATION	Menge
1	04000-3-478		Dispersion plate 2		8
2	00600-3-974		Sheet metal nut M6		8
3	BN41200-M6x16		Hexagonal bolt with flange		8
4	00600-3-331		Joint bolt clamp 32-35 20		8
5	BN20294-378x7,0		Cable tie 378*7.0 - Panduit DOME-TOP		8
6	04000-3-701		Hexagonal shaft		4
7	04000-3-060		Base plate		1
8	00600-3-627		Hose 1"	Tuyau	25m



GGG
04001-2-110

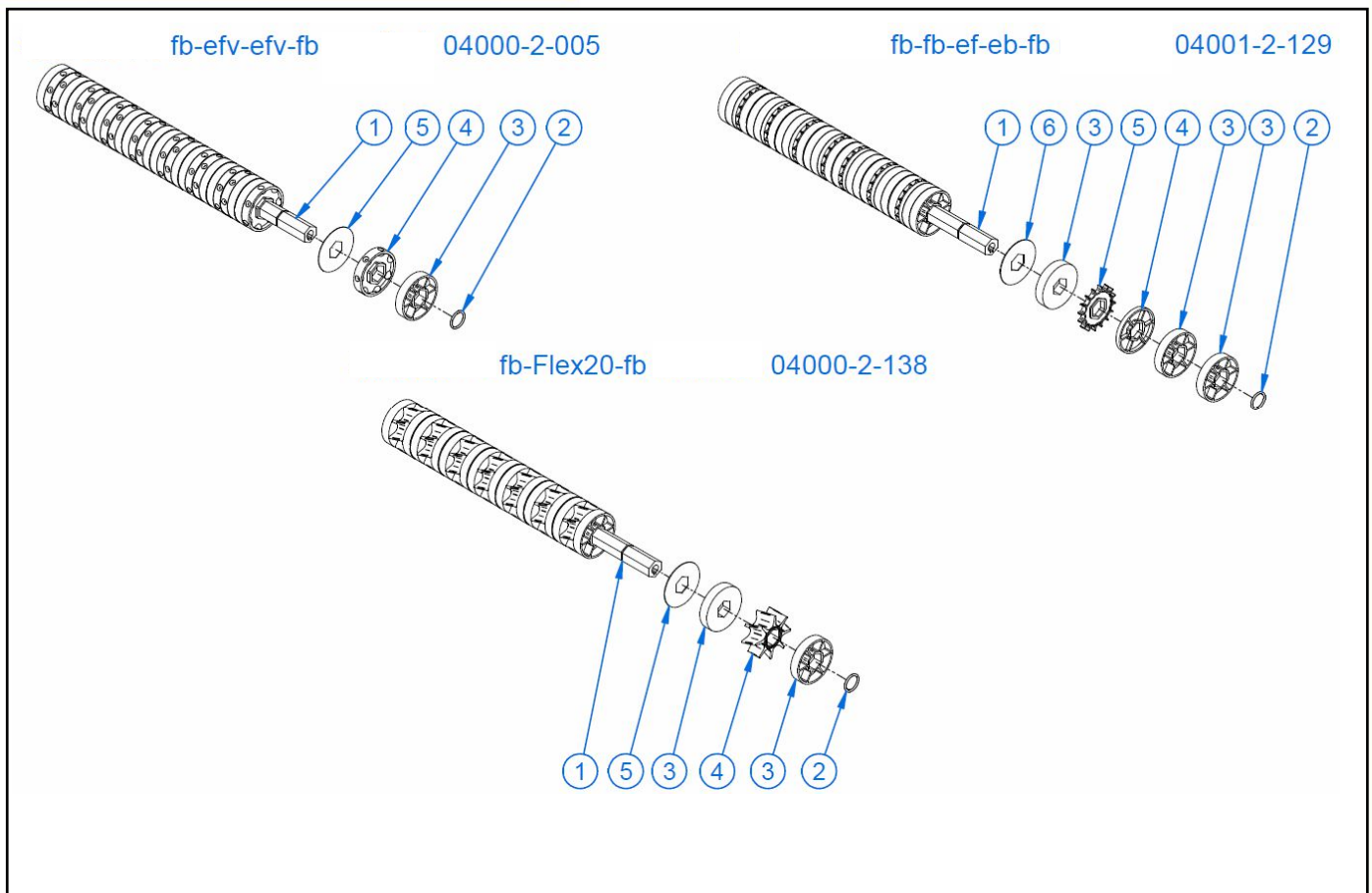
Pos.	Art.Nr.		Name_EN	Menge
1	04001-3-208		Sowing wheel hexagonal shaft P8	1
2	04000-3-711		O-ring 14.1x1.6	2
3	04000-3-705		Sowing wheel G	24
4	04000-3-317		Distance washer 0.75mm	7

fb-f-fb-fb
04001-2-127


Pos.	Art.Nr.		Name_EN	Menge
1	04001-3-208		Sowing wheel hexagonal shaft P8	1
2	04000-3-711		O-ring 14.1x1.6	2
3	04000-3-710		Sowing wheel fb	24
4	04000-3-317		Distance washer 0.75mm	7
5	04000-3-709	Sowing wheel f	8	

Flex40
04000-2-137


Pos.	Art.Nr.		Name_EN	Menge
1	04001-3-208		Sowing wheel hexagonal shaft P8	1
2	04000-3-602		Sowing wheel Flex40	8
3	04000-3-603		Distance washer 1mm flex	7
4	04000-3-711	O-ring 14.1x1.6	2	




fb-efv-efv-fb 04000-2-005

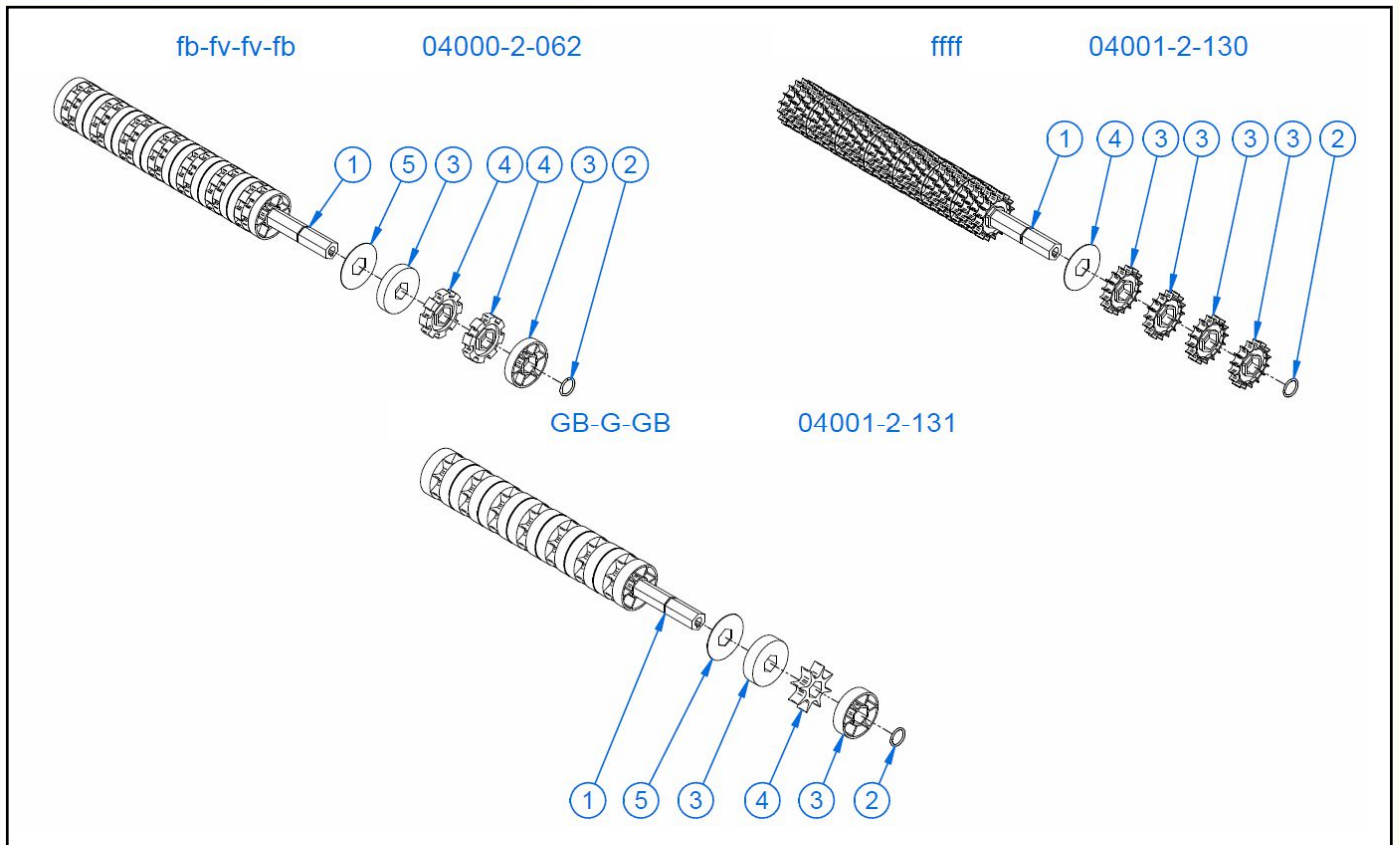
Pos.	Art.Nr.		Name_EN	Menge
1	04001-3-208		Sowing wheel hexagonal shaft P8	1
2	04000-3-711		O-ring 14.1x1.6	2
3	04000-3-710		Sowing wheel fb	16
4	04000-3-604		Sowing wheel efv	16
5	04000-3-029	Distance washer 0.3mm KB	15	


fb-fb-ef-eb-fb 04001-2-129

Pos.	Art.Nr.		Name_EN	Menge
1	04001-3-208		Sowing wheel hexagonal shaft P8	1
2	04000-3-711		O-ring 14.1x1.6	2
3	04000-3-710		Sowing wheel fb	24
4	04000-3-707		Sowing wheel eb	8
5	04000-3-708		Sowing wheel ef	8
6	04000-3-317	Distance washer 0.75mm	7	


fb-Flex20-fb 04000-2-138

Pos.	Art.Nr.		Name_EN	Menge
1	04001-3-208		Sowing wheel hexagonal shaft P8	1
2	04000-3-711		O-ring 14.1x1.6	2
3	04000-3-710		Sowing wheel fb	16
4	04000-3-601		Sowing wheel Flex20	8
5	04000-3-317	Distance washer 0.75mm	7	



fb-fv-fv-fb 04000-2-062

Pos.	Art.Nr.		Name_EN	Menge
1	04001-3-208		Sowing wheel hexagonal shaft P8	1
2	04000-3-711		O-ring 14.1x1.6	2
3	04000-3-710		Sowing wheel fb	16
4	04000-3-001		Sowing wheel fv	16
5	04000-3-317		Distance washer 0.75mm	7

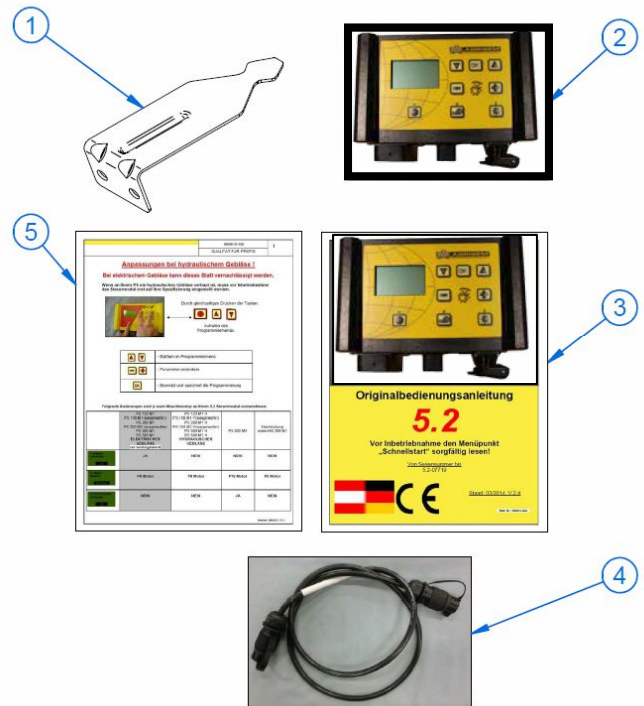
ffff 04001-2-130


Pos.	Art.Nr.		Name_EN	Menge
1	04001-3-208		Sowing wheel hexagonal shaft P8	1
2	04000-3-711		O-ring 14.1x1.6	2
3	04000-3-709		Sowing wheel f	32
4	04000-3-317		Distance washer 0.75mm	7

GB-G-GB 04001-2-131


Pos.	Art.Nr.		Name_EN	Menge
1	04001-3-208		Sowing wheel hexagonal shaft P8	1
2	04000-3-711		O-ring 14.1x1.6	2
3	04000-3-706		Sowing wheel GB	16
4	04000-3-705		Sowing wheel G	8
5	04000-3-317	Distance washer 0.75mm	7	

3.2 00202-3-309


5.2 00202-3-218

3.2 00202-3-309

Pos.	Art.Nr.		Name_EN	DESIGNATION	Menge
1	04000-3-418		Angle bracket		1
2	00420-2-005		A-organizer	A-organizer	1
3	00601-3-091		BA 3.2 V2.X de		1
3	00600-3-065		BA 3.2 V1.X en		1
4	00410-2-002		electrical power supply	Câble d'alimentation	1

5.2 00202-3-218

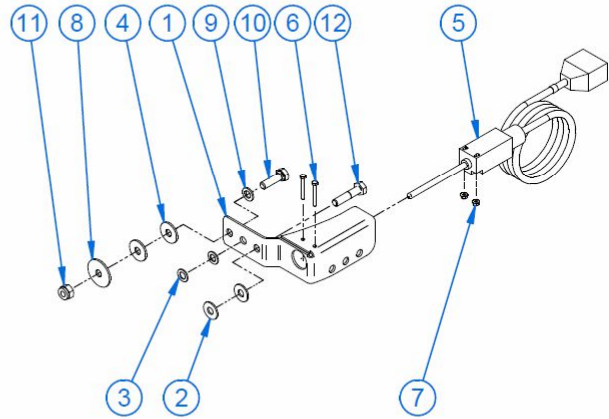
Pos.	Art.Nr.		Name_EN	DESIGNATION	Menge
1	04000-3-418		Angle bracket		1
2	00420-2-002		A-organizer Plus	A-organizer Plus	1
3	00600-3-664		BA 5.2 V2.X de		1
3	00602-3-649		BA 5.2 V2.X en		1
4	00410-2-002		electrical power supply	Câble d'alimentation	1
5	08001-5-100		UA 5.2 Electric of hydr. fan V1.x de.en		1




Pos.	Art.Nr.		Name_EN	DESIGNATION	Menge
1	00410-2-074		Accessory kit Tractor linkage upper bar sensor MX	Kit Capteur Position de Travail	1
2	00410-2-107		Accessory kit sensor GPSa MX		1
3	00410-2-140		Accessory kit sensor fan speed	Kit capteur Turbine	1
4	00410-2-084		Accessory kit radar sensor MX 35	Kit Radar	1
5	00410-2-007		Accessory kit sensor tractor wheel inductive MX		1
6	00410-2-006		7 pin signal cable MX		1
7	00410-2-008		Accessory kit sensor tractor linkage MX		1
8	00410-2-115		Accessory kit Tractor linkage upper bar sensor MX		1
9	00410-2-085		Accessory kit sensor tractor linkage inductive MX		1
10	00410-2-134		Extension cable sensor MX 2m	Rallonge de câble 12 pôles (2m)	1
10	00410-2-017		Extension cable sensor MX 5m	Rallonge de câble 12 pôles (5m)	1
11	00410-2-010	Splitter sensor MX	Faisceau de câblage	1	


00410-2-084

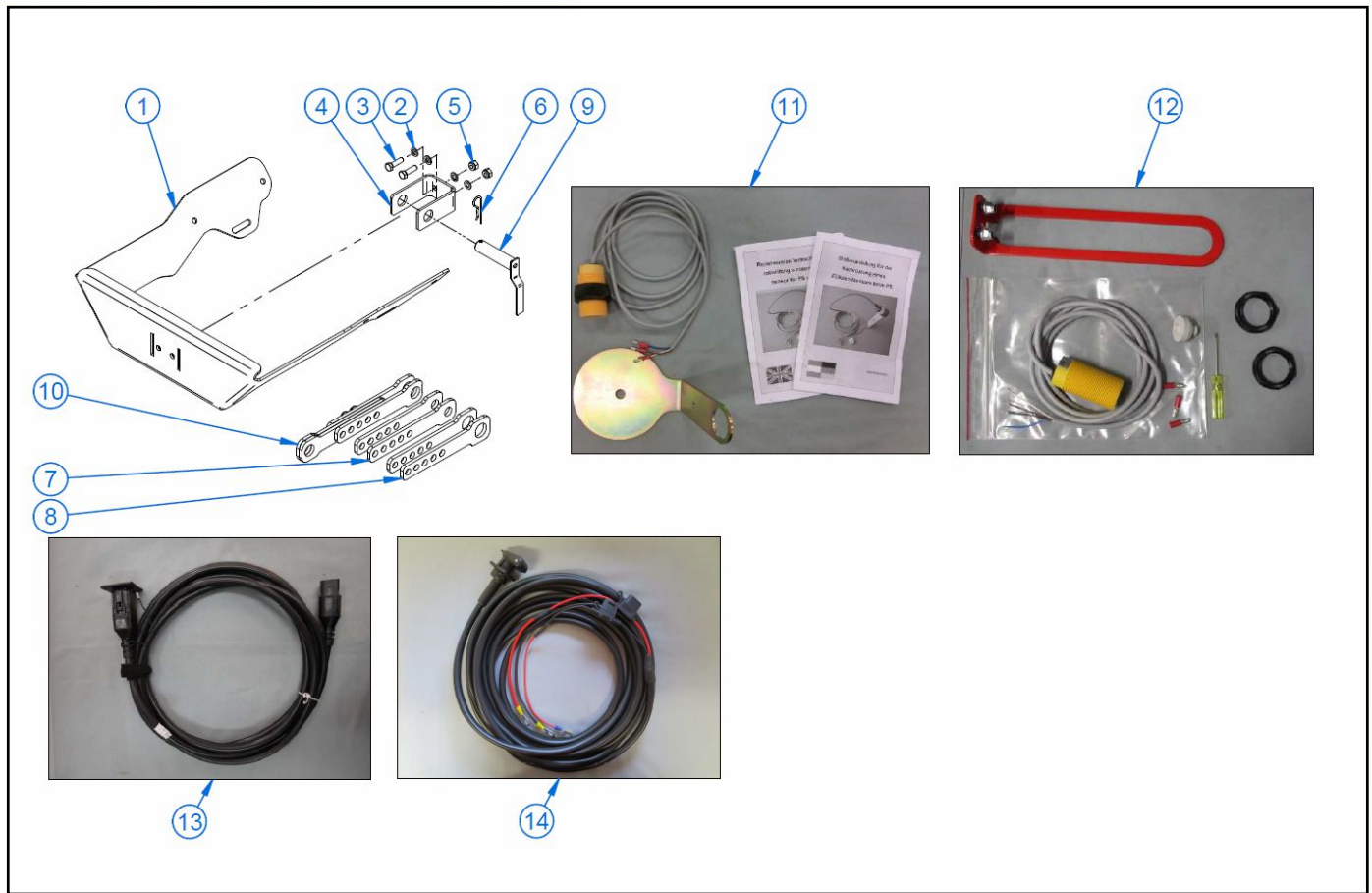
00410-2-074



00410-2-084


Pos.	Art.Nr.		Name_EN	DESIGNATION	Menge
1	00410-2-084		Accessory kit radar sensor MX 35	Kit Radar	1
2	00410-2-110		Radar sensor MX 35	Radar avec rallonge	1
3	00410-2-112		Connection cable GPSa radar sensor SS-MX		1
4	00600-3-369		Radar sensor SS 35	Radar	1
5	00300-5-061		Installation plate radar sensor 35	Plaque	1

00410-2-074

Pos.	Art.Nr.		Name_EN	DESIGNATION	Menge
1	00410-3-031		Sheet metal1		1
2	BN737-M10x25		Washer		2
3	BN726-M10x18		Washer		2
4	BN729-M10x30		Washer		2
5	00410-2-051		Sensor tractor linkage, upper linkage MX	Capteur a doigt	1
6	BN56-M4x35		Hexagonal screw		2
7	BN6783-M4		Flanged nut		2
8	BN732-M10x40		Large-diameter washer		1
9	BN715-M10		Washer		1
10	BN56-M10x35		Hexagonal screw		1
11	BN161-M10		Lock nut		1
12	BN56-M10x45	Hexagonal screw		1	


04000-2-114

Pos.	Art.Nr.		Name_EN	DESIGNATION	Menge
1	04000-3-410		Mount		1
2	BN715-M10		Washer		8
3	BN56-M10x35		Hexagonal screw		2
4	02001-3-410		Upper linkage bracket		1
5	BN161-M10		Lock nut		2
6	BN915-03		Safety pin		1
7	04000-3-305		Upper linkage sheet metal KAT1		2
8	04000-3-306		Upper linkage sheet metal KAT3		2
9	02001-2-110		Upper linkage bolt		1
10	04000-2-011		Upper linkage KAT2 installed		1

Pos.	Art.Nr.		Name_EN	DESIGNATION	Menge
11	00202-3-131		Conversion set fill sens till YOC 2012	Kit Capteur de trémie	1
12	04000-2-269		Conversion set fill sens since YOC 2013	Kit capteur de trémie	1
13	00410-2-015		Extension cable PS MX 5m	Rallonge pour câble 6 Pôles	1
14	00410-2-022		Tractor cable set	Câble pour tracteur	1