



AGRISEM[®]
INTERNATIONAL

USER'S MANUAL AND SPARE-PARTS LIST

DISC-O-SEM
DST 6000



Send back the guarantee certificate
within 15 days with joined invoice
*(without these documents we cannot
apply the guarantee procedure).*



AGRISEM INTERNATIONAL S.A. « Beaucé » 44 850 LIGNE – France – Tél. : 02.40.77.40.48 – Fax : 02-40-77-45-45

NOTT-AN-567

08/08/06



To be returned on reception of the machine

Dealer
Name
Address
Tel
Code Nb

Owner
Nom
Address
Tel

Type of machine	
Working width	
Serial number of the machine	
Delivery date to the user's place (join a copie of invoice and dealer's delivery note)	
Tractor description and horse power	
Type of soil, clay %	
Surface area of farm	

Date : / /

Customer's signature and client's stamp

Dealer's signature and dealer's stamp

We are fully aware of, and accept, the contents of the instruction manual and we hereby adhere to the clauses of the guarantee.

DECLARATION OF CONFORMITY TO « MACHINE » REGULATIONS

	
"Beaucé" F - 44850 LIGNÉ - Tél. 33 (0)2.40.77.40.48 Fax. 33 (0)2.40.77.45.45	
MODEL	<input type="text"/>
SERIAL N°	<input type="text"/>
	
Material manufactured under licence	

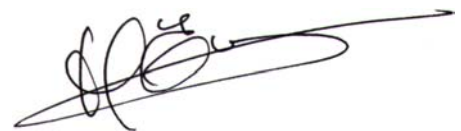
The above-named constructor certifies that the hereby designated new material:

LIFT-O-SEM

Conforms to the stipulations of the modified "machines" regulations (regulation 98/37/CE) and the national legislation hereby concerned.

Signed in Ligné, France,

22th May 2006



Michel EVIN
Managing director

SUMMARY

SUMMARY	1
1. INTRODUCTION	3
2. GUARANTEE CONDITIONS	4
3. CORRECT USE OF THE MACHINE	6
4. SAFETY INSTRUCTIONS	7
5. GENERAL SAFETY RULES	8
6. USING YOUR LIF-O-SEM DST6000	9
6.1. DESCRIPTION.....	9
6.2. PREPARATION FOR USE.....	9
6.3. COUPLING THE LIFT-O-SEM TO THE TRACTOR.....	9
6.4. COUPLING THE DISC-O-MULCH TO THE LIFT-O-SEM.....	9
6.5. ADJUSTMENTS.....	10
6.5.1. Working width of an element.....	10
6.5.2. Depth adjustment.....	10
6.5.3. Land wheel.....	10
6.6. BALE CHUTE.....	11
6.6.1. Technical characteristics.....	11
6.6.2. Bale chute start-up operation.....	11
6.7. MAINTENANCE AND REPAIR.....	12
6.8. ADVICE FOR OPTIMAL USE.....	13
7. PNEUMATIC SEED-DRILL DST 6000	14
7.1. TECHNICAL CHARACTERISTICS.....	14
7.2. TURBINE START-UP OPERATION.....	14
7.2.1. Hydraulic connections.....	14
7.2.2. Adjustment of pump type.....	15
7.2.3. Start-up operation for turbine motor.....	15
7.2.4. Adjustment of turbine motor speed.....	15
7.3. HOPPERS.....	15
7.3.1. Filling hoppers.....	16
7.3.2. Emptying hoppers.....	16
7.4. DISTRIBUTION.....	16
7.4.1. Description.....	16
7.4.2. Adjustment of grain delivery.....	18
7.4.3. Grain delivery rate control.....	19
7.5. DISTRIBUTION HEADS.....	20
7.6. VERIFICATION BEFORE SOWING.....	20
8. LIFT-O-SEM MEASUREMENTS	21
9. LIFT-O-SEM SPARE PARTS	25
Trailed DISC-O-SEM 6000L – 1 axle.....	26
Framework kit DST-6000.....	28
Rear hopper framework.....	30
Front hopper framework.....	32
Gangways' kit.....	34
Hopper kit 3000L.....	36
Cover kit for 1500L hopper.....	38
Distribution's transmission kit.....	40
Rear tension-pulley arm kit.....	42
Front tension-pulley arm kit.....	44

Land wheel lift kit	46
Land wheel arm kit	48
Tension-pulley arm kit	50
Hose kit	52
Lift hydraulic kit	54
Hydraulic extension kit	56
Land wheel hydraulic kit	58
Turbine kit without driving system	60
Turbine drive kit 16cm ³	62
Hydraulic flexible kit for turbine	64
Parking brake kit	66
Hydraulic brake kit	68
Pneumatic brake kit	70
10. DISTRIBUTION SPARE PARTS	73
Distribution – Ø90	74
Fluted feed drill section kit	76
Drive shaft kit	78
Small fluted feed drill sealing kit	80
Large fluted feed drill sealing kit	82
Fluted feed drill section control kit	84
Fluted feed drill section rotation guide kit	86
Venturi nozzle kit – Ø90	88
Fluted feed drill section closure kit	90
Sealed flap kit	92
Stirrer kit	94
Spout kit	96
Distribution casing kit	98
Emptying trap kit	100
Sealing selector kit	102
Righthand fluted feed drill casing kit	104
Lefthand fluted feed drill casing kit	106
Dosing trap kit – Ø90	108
Box r=12/17	110
11. LIFT-O-SEM OPTIONS	113
Bale chute kit	114
Hydraulic kit for bale chute	116
Mudguard kit	118
12. AGRISEM RANGE	121

1. INTRODUCTION

You are the owner of a **LIFT-O-SEM**. This machine has been designed to give you complete satisfaction.

This equipment is the result of research into new solutions with the aim of reducing costs.

In order to get the most out of your **LIFT-O-SEM**, please read your manual with care and follow the advice concerning maintenance and adjustment carefully.

Your dealer remains at your disposal for further information, so please don't hesitate to contact him.

In the interest of improvement, **AGRISEM INTERNATIONAL**[®] reserves the right to modify their products, but in so doing they are not under obligation to reproduce these modifications on existing models.

Likewise, characteristics in this manual can be modified without notice. Therefore, adjustment procedures and subsequent use of material, which are only guide-lines, can not be considered our responsibility.

2. GUARANTEE CONDITIONS

These guarantee conditions are only applicable to **machines exclusively equipped with original AGRISEM INTERNATIONAL parts**, « Beaucé », 44850 LIGNE, FRANCE; they are as follows:

- If a fault is noticed on any structural part of the machine in the **6 months** following delivery and if this fault is due to a raw material defect or due to fabrication procedures at the factory. The parts presumed faulty should be returned to the company for appraisal.

Proof of delivery:

- The date on the delivery note and the bill.
- The return of the guarantee card within 8 days of delivery (signed and stamped by the dealer and the owner).

The guarantee is limited to refunding or repair of the faulty parts, with material and servicing in our factory and by our technical service.

- Costs relating to dismantling and replacement of the faulty part are not covered by the guarantee nor are the transport costs for the machines or machine-parts (to the repair site and back).
- Regarding the guarantee, the term "Machine" is designated exclusively for new machines and parts manufactured by AGRISEM INTERNATIONAL. It does not include outer components such as tyres, flexible hydraulic hoses etc, even though these parts are also provided by the company.
- Naturally the guarantee does not apply to:
 - Faults due to wear and tear, misuse, lack of maintenance
 - Accident-damage or use not consistent with usual functions.
- The company can not be held responsible for damage incurred during transport and manipulation by the transport company concerned. It is the addressee who must deal with, as necessary, the transporters in such a situation.
- **The guarantee will be rendered null and void if any modifications are carried out on the machine without the formal agreement of AGRISEM INTERNATIONAL or if parts other than those produced by the company are used on the machine (eg. counterfeit parts).**
- AGRISEM INTERNATIONAL cannot be held responsible for complaints or injuries to the owner or a third person, nor the indirect consequences as a result of this; likewise no claims are possible in the case of the breakdown of an implement due to a defect or an incident with the machine.
- The company's responsibility concerning the guarantee is dependent on the strict respect, by the dealer and the owner, of the following regulations :

A) THE RETURN OF THE GUARANTEE CARD BY THE DEALER, DULY FILLED-IN AND SIGNED BY THE DEALER AND THE OWNER.

B) The claim must imperatively be formulated on the AGRISEM INTERNATIONAL guarantee reclamation form and sent by the dealer to the company's technical service, by recorded delivery, with acknowledgement of receipt, within a delay of one month following the incident. The reclamation form must be clearly filled in by the dealer and include the following information :

- Name and address of the dealer, client code,
- Name and address of the owner,
- Type of machine,
- Working width,
- Serial number of the machine,
- Delivery date to the owner,
- Date of the problem,
- Precise references of parts replaced, with invoice number and date,
- Make and type of tractor used,
- Detailed description of presumed causes of incident,
- Surface area worked by machine,
- Surface area of farm,
- Type of soil clay %,
 - Stoney yes no

C) The parts presumed faulty should be returned to the company for appraisal along with a duplicate of the guarantee reclamation form as proof. The transport costs necessary for return of the above-said parts are the responsibility of the sender.

D) Maintenance and use of the machine must conform to the user's manual.

E) The technical director or managing director of the company will make the final decision as regards the reclamation. This decision, regardless of the object of the guarantee appeal, is irreversible and the owner must agree to accept this decision regarding the defect, its replacement or that of certain parts.
The Company salesmen are not competent to make such a decision and if they do so, it should be considered null and void.

NOTA: In case of refusal, the part remains at the disposition of the client for 8 days, after this delay it will be disposed of with no appeal possible.

F) All safety measures mentioned in the user's manual and, likewise, those for all complementary material must be respected. All elements for protection and safety devices, plus all dangerous parts (e.g. shock absorbers) must be regularly inspected and replaced when necessary.

- Dealers have no right nor the permission to make any decision, whatsoever, on purpose or otherwise, in the name of the company.
- With the aim of constant improvement of its products, AGRISEM INTERNATIONAL reserves the right to modify them, with no obligation of reproducing the improvements on existing models.

Furthermore, due to the constant evolution of techniques, no guarantee can be given as regards the description of materials in all documentation produced by the company.

3. CORRECT USE OF THE MACHINE

The AGRISEM INTERNATIONAL LIFT-O-SEM seed-drills must only be used for the work it is destined for.

In the case of damage due to use of the machine for work outside the constructor's specifications, the constructor can not be held responsible.

The correct use of the machine also implies:

- The respect of regulations of use, maintenance and upkeep as stated by the constructor,
- Exclusive use of replacement parts, accessories and original equipment appointed by the constructor.

The LIFT-O-SEM seed-drill must only be used, maintained and repaired by people competent to do so, familiar with the characteristics and the way of using the machine. The above-said people should be aware of the possible risks to which they are exposed.

The user must strictly comply to all regulations regarding:

- Accident prevention.
- Safety at work (labour laws).
- Driving on the road (Highway Code).

He has the obligation to observe all warnings concerning the machine. All modifications made by the user or any other person without the written agreement of the constructor disengages all responsibility of the constructor should damage result.

4. SAFETY INSTRUCTIONS

Most accidents that happen while working, during maintenance or when displacing a machine are due to non-observance of elementary security regulations. Consequently, it is imperative that all people likely to work with this machine strictly respect the following fundamental rules. The same is true regarding the safety advice written on the stickers attached to the DS1500 / DST1500 SEED-DRILL.

1. Before all operations make sure that the DS1500 / DST1500 seed-drill is on a stable surface.
2. This DS1500 / DST1500 seed-drill was conceived for precise work, it must always be in perfect working order and only repaired with original AGRISEM INTERNATIONAL parts.
3. All necessary precautions must be taken when adapting working parts that are heavy or sharp.
4. Verify that the machine respects personal safety.
5. Verify tightness of screws and bolts before each use.
6. Verify that the DS1500 / DST1500 seed-drill is coupled correctly.
7. Ensure that the tractor has sufficient ballast at the front before all work, in order to avoid any risk of tipping up; if necessary add ballast to the front of the tractor.
8. Distance all people from the manoeuvring area of the DS1500 / DST1500 seed-drill.
9. Never transport anybody on the DS1500 / DST1500 seed-drill or its complementary tools during work or displacement.
10. Be aware of hidden obstacles (stones, roots, tubing, cables, etc) if an incident occurs, STOP IMMEDIATELY, and find the cause.

NB: If the obstacle is an electric cable or gas-line, alert the authorities competent to deal with it.
11. Never leave the tractor unless the DS1500 / DST1500 seed-drill is resting on the ground, brakes on, motor off and the key out of the ignition.
12. Never adjust or repair anything unless the tractor motor is stopped and the machine is resting on the ground.
13. Before driving on the road, the user must ensure that the machine is coupled correctly and visible, in respect of the Highway Code.
14. Verify the correct tyre-pressure on your tractor and your LIFT-O-SEM :



Reference:	Dimension:	Tyre pressure (bars)
Low pressure wheel : ROUE528	800 / 45 – 26,5/16	2,2

15. On rough ground or tight turns reduce your speed.
16. Before any displacement, even short distances, verify the balance of the tractor and complementary material. Never drive over 25 Km/h when loaded.

5. GENERAL SAFETY RULES

1. **Never let children** climb on the tractor or play close to material, even when the machine is stopped ;
2. On delivery of a machine (new or second-hand) insist on the provision of the **user's manual** and the **code of work certificate of conformity** and from there on respect the constructor's instructions ;
3. Make sure that the LIFT-O-SEM seed-drill and its complementary material does not hide the tractors rear lights ;
4. If necessary equip your material with **reflective signalization** panels or complementary luminous indicators ;
5. Clear the highway of any mud left by the tractor or tools ;
6. Be aware that soil-working material, however narrow, presents a real danger (cutting-edge blades, ploughshares, discs...) and can be fatal in an accident ;
7. Wear safety shoes and gloves when manipulating sharp parts ;
8. If the material is not already equipped, anticipate means of signalization: **illumination ramps, catadioptrics, plates or bands of reflective stickers**. Long or large material must imperatively have a signalling system when the tractor's rear lights are hidden ;
11. Always employ **bolts and locking systems** ;
12. For exposed metal parts, use an anti-rusting product or grease.

6. USING YOUR LIFT-O-SEM DST6000

6.1 DESCRIPTION

The LIFT-O-SEM is designed on a wheel-less frame principal. It is equipped with 2 complete systems of sowing (individual capacity: 3000L) and a rear hydraulic lift. A DISC-O-MULCH S35 folding version with a working width from 5 to 8m can be coupled to this rear hydraulic lift.

This high capacity seed-drill is independent of the rear mounted implement, and the quality of work doesn't depend on hoppers' filling up. The design has been done to have the best manoeuvrability as possible.

6.2 PREPARATION FOR USE

When you receive your LIFT-O-SEM, verify that its characteristics are as stipulated. Then, carry out the preliminary operations for starting up, as indicated in this manual.

6.3 COUPLING-UP THE LIFT-O-SEM TO THE TRACTOR

1. Reverse the tractor in order to couple-up with the LIFT-O-SEM (should be resting on a stable surface).
2. Place the tractor's ring-bolt under the pull eye bolt.
3. With the handle situated on the stand (**see: figure N°1**), Couple-up the tractor's ring-bolt to the LIFT-O-SEM's pull eye bolt.
4. Lock the tractor's ring-bolt.
5. Link the hydraulic flexible of the LIFT-O-SEM to the tractor.
6. To unfasten the LIFT-O-SEM, do the preceding operations in reverse order and ensure that the apparatus is on a stable surface.



Handle

Figure N°1



During coupling-up or unfastening, nobody should remain between the tractor wheels and the pull eye bolt.

6.4 COUPLING-UP THE DISC-O-MULCH TO THE LIFT-O-SEM

1. Reverse the LIFT-O-SEM in order to couple-up with the DISC-O-MULCH which should be resting on a stable surface.
Be sure that the hitch bar is situated on the lower 3rd point of the LIFT-O-SEM (**see: figure N°2**).
2. Line up the inferior arms of the lift with the DISC-O-MULCH's clevis.
3. Couple-up the lower lifting arms by means of the appropriate device on the highest clevis of the DISC-O-MULCH, and the hitch bar on the highest 3rd point.
4. Adjust the length of the 3rd point, which link the DISC-O-MULCH to the LIFT-O-SEM, so as to have a prestressed on the 1st gang of discs.
5. Link the hydraulic flexible of the DISC-O-MULCH to the LIFT-O-SEM.
6. To unfasten the DISC-O-MULCH, do the preceding operations in reverse order and ensure that the apparatus is on a stable surface.



3rd hole (the highest)
DISC-O-MULCH

3rd Point (the lower)
LIFT-O-SEM

Figure N°2



During coupling-up or unfastening, nobody should remain between the LIFT-O-SEM wheels and the DISC-O-MULCH.

6.5 ADJUSTMENTS

6.5.1 Working width of an element

- The DISC-O-MULCH coupled-up to the LIFT-O-SEM is delivered with a pre-adjusted distance between each disc.

6.5.2 Depth adjustment

- Put the elements in their working position (deflector...).
- Adjust the depth by manipulating the shafts of the multistop caps when your tool is equipped with a roller (see: **figure N°3**).

Deflector
Multi Stop



Figure N°3

6.5.3 Land wheel

On the right side of the LIFT-O-SEM, the land wheel is directly coupled with the rear hydraulic lift. To disunite both functioning, a ¼ valve is fixed on the jack.

- In working position: open the ¼ valve to allow the simultaneous work of the land wheel and the rear hydraulic lift of the LIFT-O-SEM (see: **figure N°4**).
- In transportation position: when the DISC-O-MULCH is up, close the ¼ valve to let the land wheel up (see: **figure N°5**).



Figure N°4

¼ valve



Figure N°5



A flow controller, integrated on the hydraulic circuit of the land wheel, ensure a soft up-device.

Each season before using your LIFT-O-SEM, it is advisable to check the different tensions of the chains that go from the land-wheel to the distribution system. Adjustment devises are integrated into the machine for this purpose.

6.6 BALE CHUTE

6.6.1 Technical characteristics (see: figure N°6).



Figure N°6

Type:	CS 150
Flow:	8 à 15m ³ /h
Length:	5000mm
Diameter:	Ø150mm
Motor type :	OMP50
Cylinder:	50cm ³
Hydraulic flow :	15 à 40l/min (max)
Max pressure :	80bars
Material :	INOX

6.6.2 Preparation for use of the bale chute

Working of the bale chute and the turbine can be driven far away from the tractor thanks to a single scalloping oil distributor situated on the LIFT-O-SEM's (see: figure N°7).



The notched position of both command lever of the distributor has to agree with the right working rotation of the bale chute.

The speed rotation of the bale chute is governed by two flow regulator pre-adjusted (see: figure N°8). This speed has to be lower than 1000tr/min.



Figure N°7

Flow limiter
Bale chute drive
Turbine drive
Pressure inlet
Pressure outlet
Back

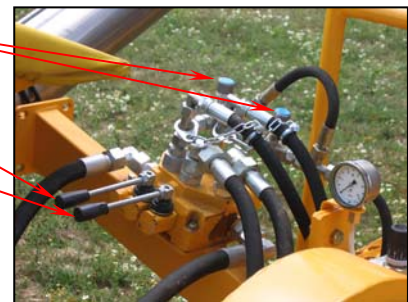





Figure N°8

For the oil distributor linkage refer to the following kit: **SEM05-20-007** exposed in this manual.

6.7 MAINTENANCE AND REPAIR

Before beginning any maintenance operation or oiling, make sure that the safety instructions have been followed. Before adjustments or verification, make sure the LIFT-O-SEM and the DISC-O-SEM are horizontal and stable. Block the machine if necessary.


1. Every each 30 hours, oil wheel axle's ball bearings, roller cage's bearings...
2. Before each using, oil all rams articulations and all shafts which have grease fitting.
3. Oil all chains.
4. For machines equipped with pneumatic brake: before each start, drain off the water condensation accrued inside the air tank in actuating the drain valve.
5. For machines equipped with hydraulic brake: before each using, verify the smoothness of each brake ram, and also the parking brake one.
To stretch again brake cables, use systems situated at each end of pipes (screw + nut).
6. The discs must be replaced as soon as their diameter reaches the following values:


Disc diameter	Maximum diameter of wear and tear
 Ø510	Ø 460
 Ø560	
 Ø610	

AGRISEM INTERNATIONAL
 can not be held responsible if the DISC-O-MULCH is used with discs that have a level of wear and tear superior to that specified.

⇒ To replace the discs:

- a. Lift the DISC-O-MULCH about 15 cm off the ground and block it in that position with the tractor motor stopped and the parking brake on.
- b. Take off the damaged disc.
- c. Put on a new one.

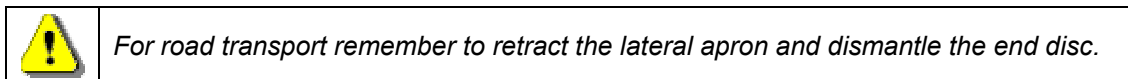
 The tightening torque for the disc mounting is 110Nm.

	<p>Only use original AGRISEM INTERNATIONAL parts</p> <p><i>All the parts are made from specially treated steel, thus it is not advisable to solder them or else the thermal treatment loses its efficiency.</i></p>
-------------------------------------------------------------------------------------	----------------------------------------------------------------------------------------------------------------------------------------------------------------------------------------------------------------------------

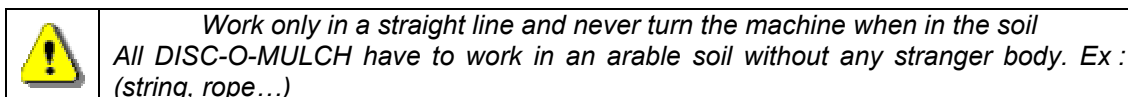
6.8 ADVICE FOR OPTIMAL USE

Before all usage, make sure that all safety instructions are followed and that the machine has been greased and maintained correctly.

1. When the soil humidity is great, slipping could degrade the superficial soil structure. It is better to use a tractor with four-wheel drive to reduce sliding.



2. Adapt your working speed to the type of soil and chosen working depth.



3. Verify the following list before use the LIFT-O-SEM + DISC-O-MULCH's assembly :
 - Does the LIFT-O-SEM correctly couple-up to the tractor?
 - Do the brake systems correctly link to the tractor?
 - Does the lift locking shafts are in place?
 - Does the road sign bar correctly fixed and easily visible following the standards?
 - Are the working parts in good condition and fixed correctly?
4. Respect the following working depths: Stubble-breaking from 3 to 4 cm.
5. During use verify that the LIFT-O-SEM is correctly coupled and perfectly horizontal when working, in the longitudinal and transversal sense.
6. The correct use of the LIT-O-SEM optimizes and ensures a good establishment of your crop. AGRISEM INTERNATIONAL can not be held responsible for soil degradation or a result which is not up to your expectations. The user must make his own decisions and assume the risks taken should his machine be used incorrectly or inappropriately.

7. PNEUMATIC SEED-DRILL DST 6000

7.1 TECHNICAL CHARACTERISTICS



Working width:	5m à 8m
Empty weight:	4436Kg
Hopper volume:	2x1500L
Extension volume:	6x500L
Distribution:	Stainless steel
Small seed capacity:	0 – 30,3cm ³
Large seed capacity:	0 – 595,7cm ³
Speed ratio:	r = 12/17 ou r = 17/12
Turbine :	Hydraulic

7.2 TURBINE START-UP OPERATION

7.2.1. Hydraulic connections

The tractor oil flow have to be at 60L/min in minimum. Under this value the turbine speed rotation could be insufficient, especially for large seed sowing.

Maximal using pressure : 200 bars

1. Connect the 2 large-hose couplings to one of the tractor's distributors (*see: figure N°9*).
2. Verify what type of coupler is present on the tractor's hydraulic reservoir return line (screw-on coupler, valve-mechanism coupler ...) (*see: figure N°10*).
3. Using an adaptor, connect the valve-mechanism coupler of the turbine motor's drain (*small hose*) to the tractor's hydraulic reservoir's return line valve (*see: figure N°11*).

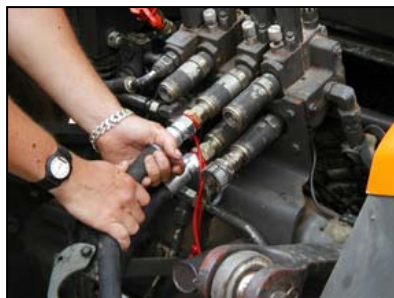


Figure N°9



Figure N°10



Figure N°11

4. Connect the valve-mechanism coupler of the turbine motor's drain (*small hose*) to the adaptor on the tractor's hydraulic reservoir's return line (*cf. : figure N°12*).



the turbine motor's drain MUST be connected before any start-up operation.



Figure N°12

7.2.2. Adjustment of the pump type

- If your tractor is equipped with a variable delivery hydraulic pump, turn off the red tap situated on the turbine control block. In order to do this, turn the tap clockwise. The central indicator must be completely depressed (see: figure N°13).
- If your tractor is equipped with a fixed delivery hydraulic pump, turn on the red tap situated on the turbine control block. In order to do this, turn the tap anti-clockwise. The central indicator must be out completely (see: figure N°14).

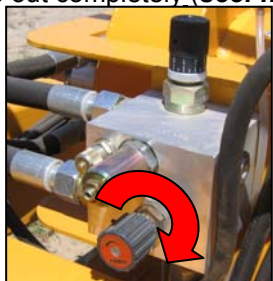


Figure N°13 : Variable delivery hydraulic pump

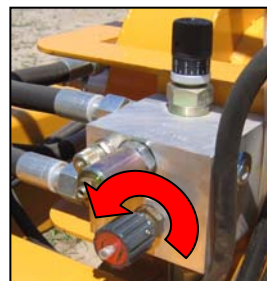


Figure N°14 : Fixed delivery hydraulic pump

7.2.3 Start-up operation for the turbine motor

Actuate the tractor distributor in its permanently open position. The turbine should work.

If not, inverse the motor's two supply hoses at the level of the tractor distributor (see: figure No 15).

Once again actuate the tractor distributor in its permanently open position. The turbine should, now, work.



Figure N°15

7.2.4 Adjustment of the turbine motor speed

Actuate the graduated delivery limiter situated on the turbine control block in order to vary the speed of rotation of the turbine and to adjust the internal pressure of distribution's pipes (see: figure N°16).

The manometer fixed close to the turbine, allows the visualisation of this pressure.

Working width	5m	6m
Small seeds:	40mbar	50mbar
Large seeds:	60mbar	70mbar



Figure N°16

☞ The turbine rotational speed depends on the type of seed you want to sow and on the working width. For example see: **sheet upper**.



Don't turn the delivery limiter when the moto ris running.

7.3 HOPPERS

Hoppers are made in high density polyamide. This allows the using of one hopper with fertilizer and one with seeds.

Hoppers are easily accessible by a gangway situated on the left side of the LIFT-O-SEM. During the filling of the bale chute you can come and go on a gangway situated on the front of hoppers.

Both hoppers are closed with a rolled up cover (see: figure N°17).



Figure N°17 : Gangways

7.3.1. Filling hoppers

Before filling hoppers, make sure that the 2 emptying traps (see: **figure N°18**), on the distribution implement, are closed correctly.

In order to facilitate further adjustment of delivery, it is advisable to also close the 2 traps that block the distribution supply tube (see: **figure N°18**).

Likewise ensure that the filter, found inside the hopper, is perfectly free, in order to facilitate the flow of grain.

The outer port-holes allow you to see the evolution in the level of grain and, thus, estimate the quantity remaining.

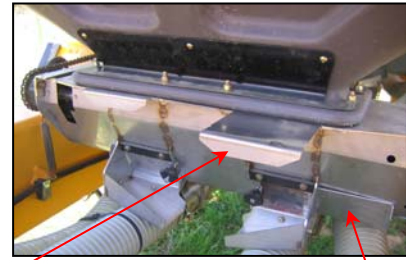


Figure N°18 : Distribution

7.3.2. Emptying hoppers

To empty the hopper, place a recipient under the 2 emptying spouts. Progressively open the 2 emptying traps, one after the other, in order to increase the rate of flow.

Once the hopper is empty, withdraw any grains left in the distributor, with the help of a paint brush or a similar tool, then close the traps.



Do NOT use high-pressure tools to clean the inside of the distributor

☞ After each use, systematically empty and clean the hopper and the fluted feed drills, then stock the machine in a sheltered place.

7.4 DISTRIBUTIONS

7.4.1 Description

Each hopper has a volumetric distribution system, consisting of 2 identical distribution canals (see: **figure N°19**). The dose modulation is carried out by the lateral movement of the fluted feed drills, actioned by a crank. This section of fluted feed drills consists of, asymmetrically:

- 2 large fluted (largegrains),
- 2 small fluted (small grains),
- 2 dosing cylinders.



Figure N°19 : Volumetric distribution

The rotation of the crank combined with an indicator, allows the user, with the graduated scale (mm), to visualize the length of the fluted feed drill being used.

The graduated scale has two zones:

- positive : large fluted delivery (of between 0 and 96mm)
- negative : small fluted delivery (of between 0 and -16mm)
- ☞ The value 0 corresponds to the position at which there is no delivery (neutral).



All reduction of delivery: large or small fluted, must be preceded by the emptying of the distributor. If this is not carried out, you will be taking a great risk.

A removable box situated on the side of the distributor provides a 2 speed ratio (**see: figure N°20 and N°21**).



Figure N°20 : Large delivery ratio

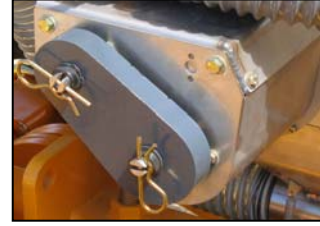


Figure N°21 : Small delivery ratio

To change from one speed ratio to another, just pull out the 2 beta lynch pins, slide the box towards the outside, then reposition it, being careful as regards the 2 axles.

✎. For security reasons, the 2 fluted lynch pins which allow the positioning of the box as regards the 2 axles, are of a size that will resist normal torque transmission .If the effort required is too large, one of the lynch pins will shear.

7.4.2 Adjustment of grain delivery

Depending on the type of grain used, the width to be worked, and the density of seeding desired (Kg/ha), please consult the following dosage table. This will allow you to decide the speed ratio necessary and where on the scale (mm) you should position yourself.

Dosage table (kg/Ha) for working width of 5m and 6m

	Semence Semilla Seme Seed Saatgut	Blé Trigo Grano Corn Getreide	Seigle Centeno Segala Rye Roggen	Orge Cebada Orzo Barlez Gerste	Avoine Avena Avena Oats Hafer	Pois - Soja Arveja - Soja Piselli - Soja Peas - Soya Erbsen - Soja	Graminée Graminea Forragio Grass Futteranbau						
	Débit	Grand débit											
		5m	6m	5m	6m	5m	6m	5m	6m	5m	6m	5m	6m
Grandes cannelures	6	35,0	29,2	33,7	28,0	30,9	25,8	22,7	19,0	36,8	30,7	16,4	13,6
	10	58,4	48,6	56,1	46,7	51,5	43,0	37,9	31,6	61,4	51,2	27,3	22,7
	14	81,7	68,1	78,5	65,4	72,2	60,1	53,1	44,2	86,0	71,6	38,2	31,8
	18	105,1	87,6	101,0	84,1	92,8	77,3	68,2	56,9	110,5	92,1		40,9
	22	128,4	107,0	123,4	102,8	113,4	94,5	83,4	69,5	135,1	112,6		
	26	151,8	126,5	145,9	121,5	134,0	111,7	98,6	82,1	159,7	133,0		
	30	175,1	145,9	168,3	140,2	154,6	128,9	113,7	94,8	184,2	153,5		
	34	198,5	165,4	190,7	158,9	175,3	146,1	128,9	107,4	208,8	174,0		
	38	221,8	184,8	213,2	177,6	195,9	163,2	144,0	120,0	233,3	194,4		
	42	245,2	204,3	235,6	196,3	216,5	180,4	159,2	132,7	257,9	214,9		
	46	268,5	223,8	258,0	215,0	237,1	197,6	174,4	145,3	282,5	235,4		
	50	291,9	243,2	280,5	233,7	257,7	214,8	189,5	157,9	307,0	255,9		
	54	315,2	262,7	302,9	252,4	278,4	232,0	204,7	170,6	331,6	276,3		
	58		282,1		271,1	299,0	249,2		183,2	356,1	296,8		
	62		301,6		289,8		266,3		195,8	380,7	317,3		
	66				308,5		283,5		208,5	405,3	337,7		
	70						300,7				358,2		
	74										378,7		
78										399,1			
82													
86													
90													
94													
96													
Petites cannelures	Semence Semilla Seme Seed Saatgut	Colza Colza Colza Colza Raps				Trèfle Trebol Trifoglio Clover Rotklee				Luzerne Alfalfa Alfalfa Lucrene Pfriemenfgraf			
	Débit	Petit débit		Grand débit		Petit débit		Grand débit		Petit débit		Grand débit	
		5m	6m	5m	6m	5m	6m	5m	6m	5m	6m	5m	6m
	-2	1,5	1,2	3,01	2,51	1,8	1,5	3,57	2,97	0,9	0,7	1,81	1,50
	-4	3,0	2,5	6,02	5,02	3,6	3,0	7,13	5,94	1,8	1,5	3,61	3,01
	-6	4,5	3,7	9,03	7,52	5,3	4,4	10,70	8,91	2,7	2,2	5,42	4,51
	-8	6,0	5,0	12,04	10,03	7,1	5,9	14,26	11,88	3,6	3,0	7,22	6,02
	-10	7,5	6,2	15,05	12,54	8,9	7,4	17,83	14,86	4,5	3,7	9,03	7,52
	-12	9,0	7,5	18,06	15,05	10,7	8,9	21,39	17,83	5,4	4,5	10,84	9,03
	-14	10,5	8,7	21,07	17,56	12,4	10,4	24,96	20,80	6,3	5,2	12,64	10,53
-16	12,0	10,0	24,08	20,07	14,2	11,8	28,52	23,77	7,2	6,0	14,45	12,04	



In order to find the desired delivery rate, it is advisable to do several trials before moving-off.

The following table allows you, depending on the width worked, to know the number of rotations of the land-wheel necessary in order to cover the area of 1 hectare.

Working width	5m	6m
No. of crank rotations / ha	848,8	707

7.4.3 Grain delivery rate control

- ☞ Before every use makes sure that the inside of the different fluted feed drills is completely clean. If they are not, the delivery rate trials will give incorrect results.
- ☞ Likewise make sure that the inside of the distributor is completely free of grain before any movement of the section of fluted feed drills.

After having carried out all the necessary adjustments:

- 1- Place the box on the chosen speed ratio
- 2- Adjust delivery depending on the desired density;
- 3- Place a recipient for the calibration ,pre-weighed, under the filling traps of each of the 2 distribution canals (**see Figure N°22**),
- 4- Open the 2 filling traps of each of the 2 distribution canals, by tipping them backwards ,
- 5- Define the percentage of surface to be simulated
- 6- Rotate the wheel the number of times that correspond
- 7- Weigh the grain in the recipient
- 8- Calculate the weight necessary for a hectare
- 9- Compare the result obtained with that of the table.



Figure N°22 : Filling traps

There are two possibilities:

- ☞ The weight obtained corresponds to that expected
 - close the 2 filling traps of each of the 2 distribution canals .The trial is over.
- ☞ The weight obtained is different to that expected:
 - known: weight desiredMS
 - Weight measured:.....MM
 - Position of indicator at start (mm):.....PCD

it is possible to improve the position of the indicator by using the following calculation:
 Desired indicator position (mm) : $PCS = (MS \times PCD)/MM$

2 possibilities

- ☞ PCS >> PCD :
 - Move the indicator to its new position,
 - Renew steps 6 to 9 .

☞ PCS << PCD:

The difference $P C D - PCS \leq 5mm$

- Move the indicator to its new position,
- Renew steps 6 – 9.

otherwise:



- Empty the distributor, by closing the 2 traps that block the tube which supplies the distributor (see paragraph: §1.2.2.).
- Move the indicator to its new position,
- Renew steps 6 to 9.

7.5 DISTRIBUTION HEAD

Each distribution head supplies 16 seeding-tubes spread-out over the seeding ramp of the LIFT-O-SEM.

Depending on the width worked, 4 return-tubes are present in order to recuperate the grain destined for the outlets which are not being used.

In addition, a conical plug screw allows, by simple unscrewing, access to the inside of the distribution head (*see: Figure N°23*).



Figure N°23 : Tête de répartition



Each season before using your LIFT-O-SEM, it is advisable to clean and “blow” through each distribution head outlet.

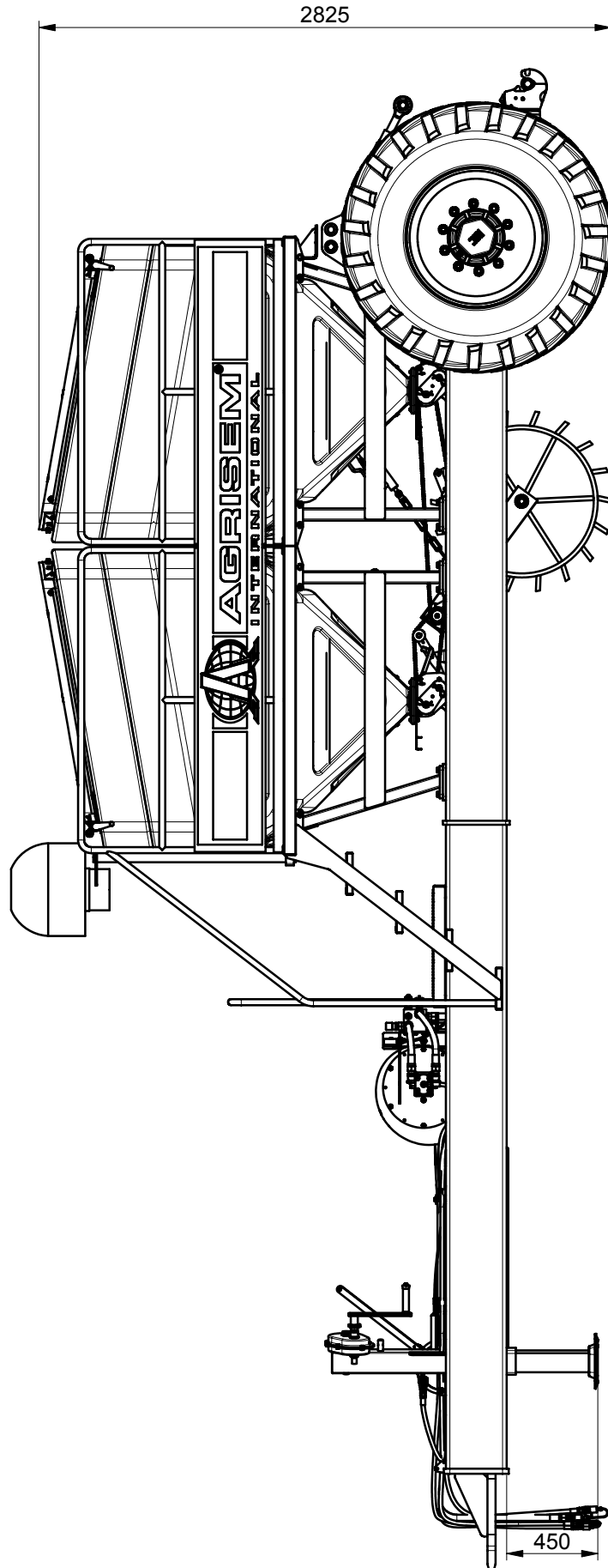
7.6 VERIFICATION BEFORE SOWING

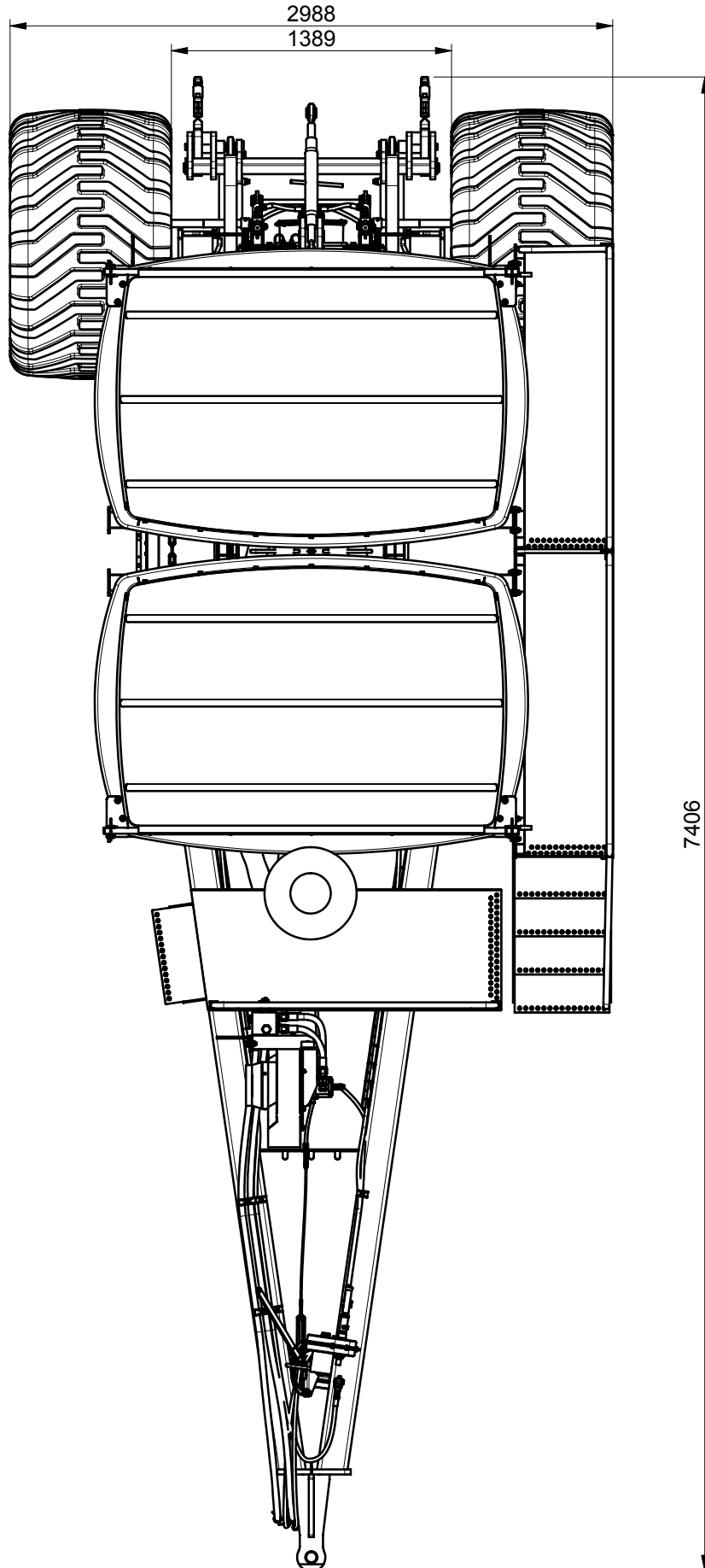
- 1- Make sure that the rotation of the land-wheel generates grain delivery from each outlet on the DISC-O-SEM seeding ramp.
- 2- Verify that all the pneumatic hoses are correctly fixed, upstream and downstream of the distribution.
- 3- Verify the correct connection of the turbine's hydraulic hoses to the tractor distributor.
- 4- Verify the pressure (mbar) at the turbine's outlet.

8. LIFT-O-SEM MEASUREMENTS



LIFT-O-SEM 6000L & DISC-O-MULCH S35 6m folding version

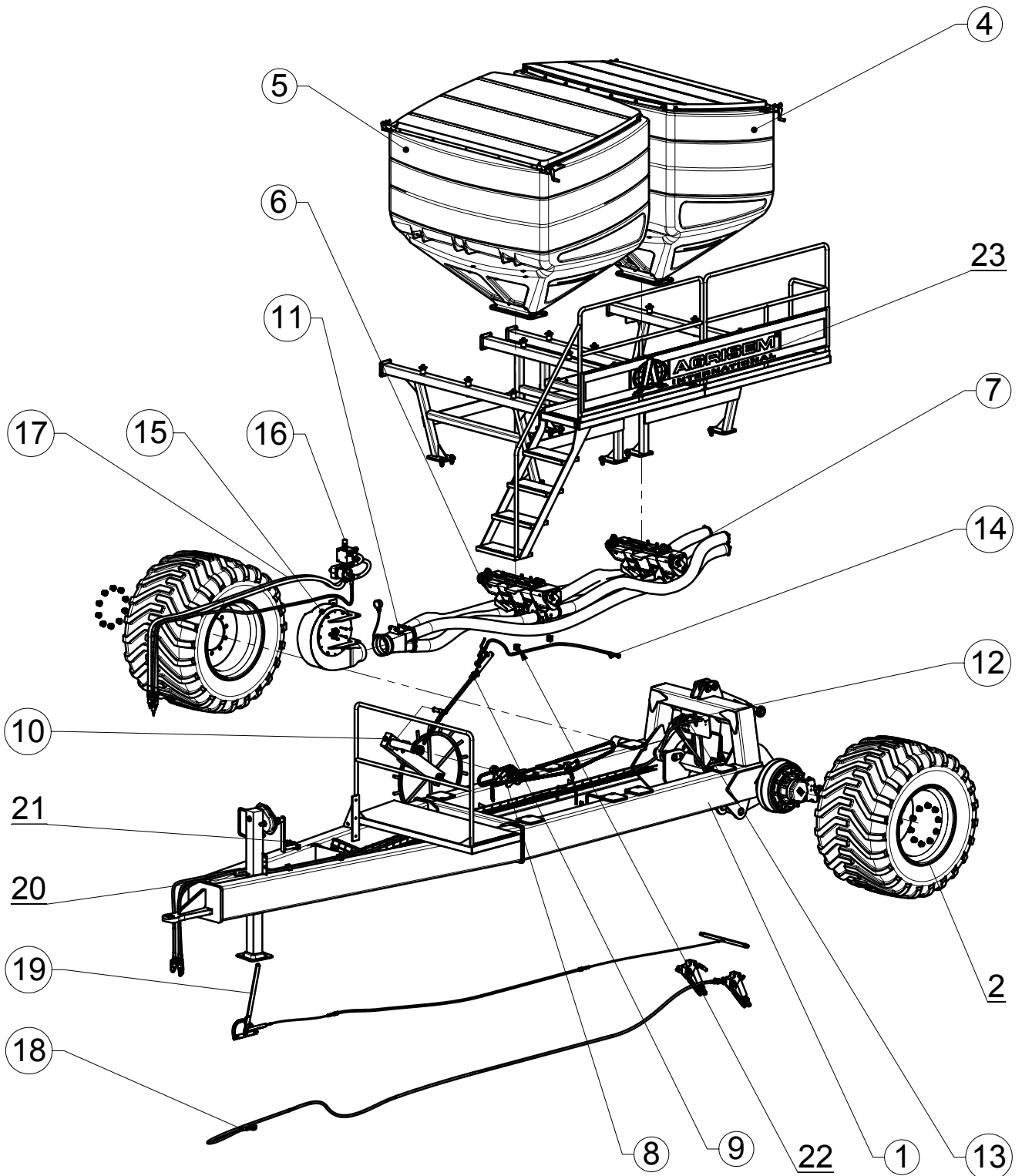




9. LIFT-O-SEM SPARE PARTS



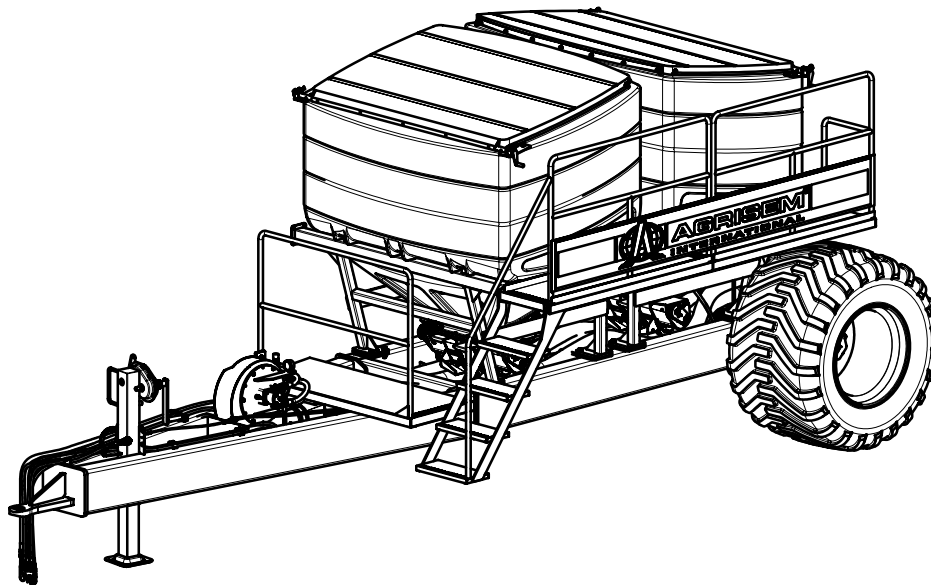
LIFT-O-SEM 6000L

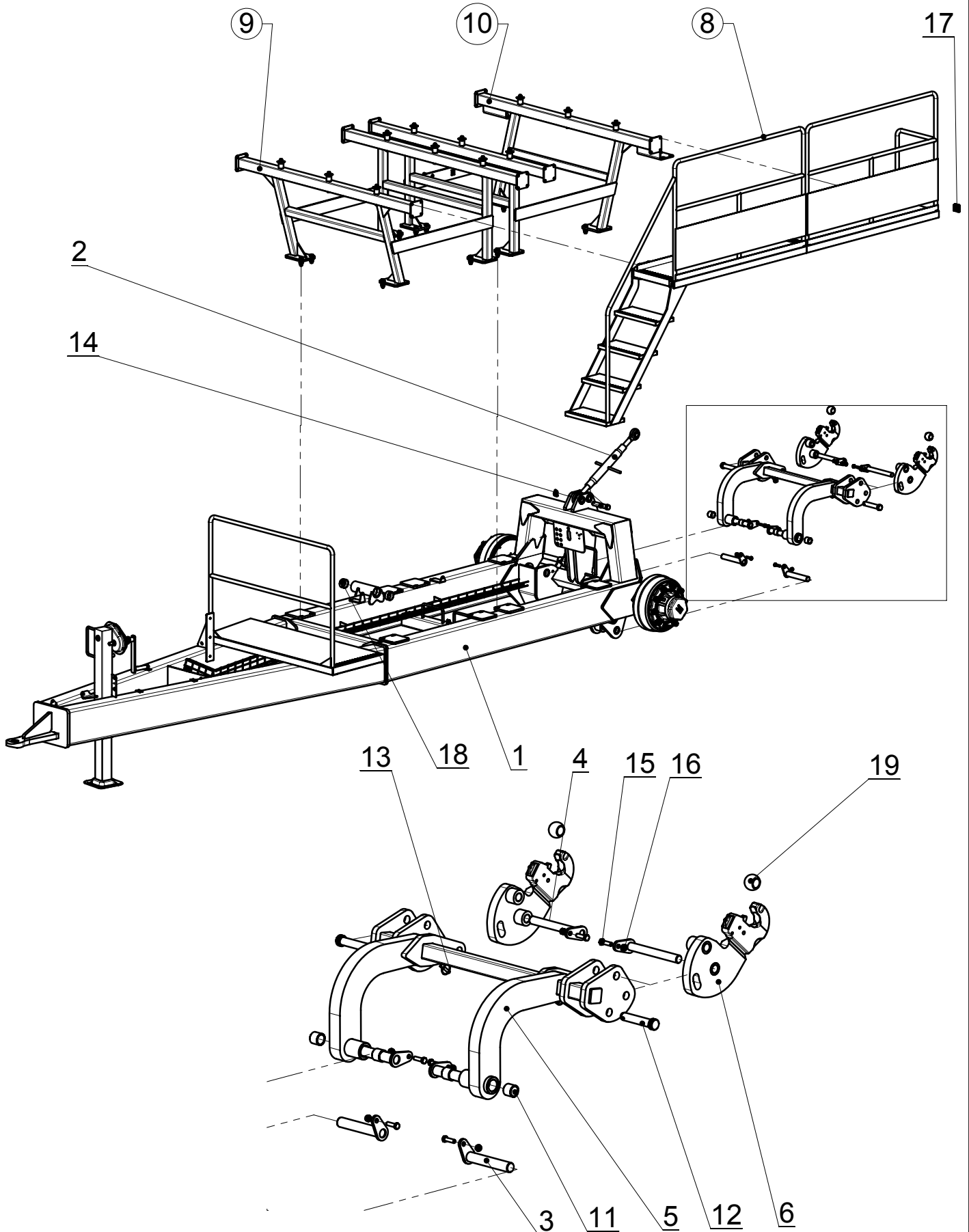


Trailed Disc-O-Sem 6000L - 1 axle

Reference: DST-6000

					Weight : 4613.52 Kg
Seep	Reference	Description	Qty.	Weight	Comments
1	SEM05-01-001	Framework kit DST-6000	1	3342.17	
2	ROUE528	Low pressure wheel Ø1333 x 800	1	253.00	
3	ROUE528	Low pressure wheel Ø1333 x 800	1	253.00	
4	SEM04-28-003	Hopper kit 3000L	1	288.85	
5	SEM04-28-003	Hopper kit 3000L	1	288.91	
6	SEM05-26-010	Distribution Ø90	1	37.75	
7	SEM05-26-010	Distribution Ø90	1	37.75	
8	SEM05-22-001	Distribution's transmission kit	1	3.94	
9	SEM05-12-001	Land wheel lift kit	1	1.68	
10	SEM05-13-001	Land wheel arm kit	1	32.99	
11	SEM05-32-001	Hose kit	1	29.76	
12	SEM05-20-001	Lift hydraulic kit	1	60.12	
13	SEM05-20-003	Hydraulic extension kit	1	4.20	
14	SEM05-20-004	Land wheel hydraulic kit	1	2.72	
15	SEM01-29-005	Turbine kit without driving system	1	29.01	
16	SEM01-31-006	Turbine drive kit 16 cm ³	1	19.07	
17	SEM05-20-002	Hydraulic flexible kit for turbine	1	5.08	
18	SEM05-17-001	Hydraulic braking kit	1	14.74	
19	SEM05-17-003	Parking brake kit	1	6.67	
20	CPD17C	Double-threaded clamp for hose Ø17	4	0.09	
21	CPD30C	Double-threaded clamp for hose Ø30	2	0.14	
22	CP17C	Single-threaded clamp for hose Ø17	2	0.07	
23	ETIQ-687	Sticker AGRISEM 2950	1	1.11	

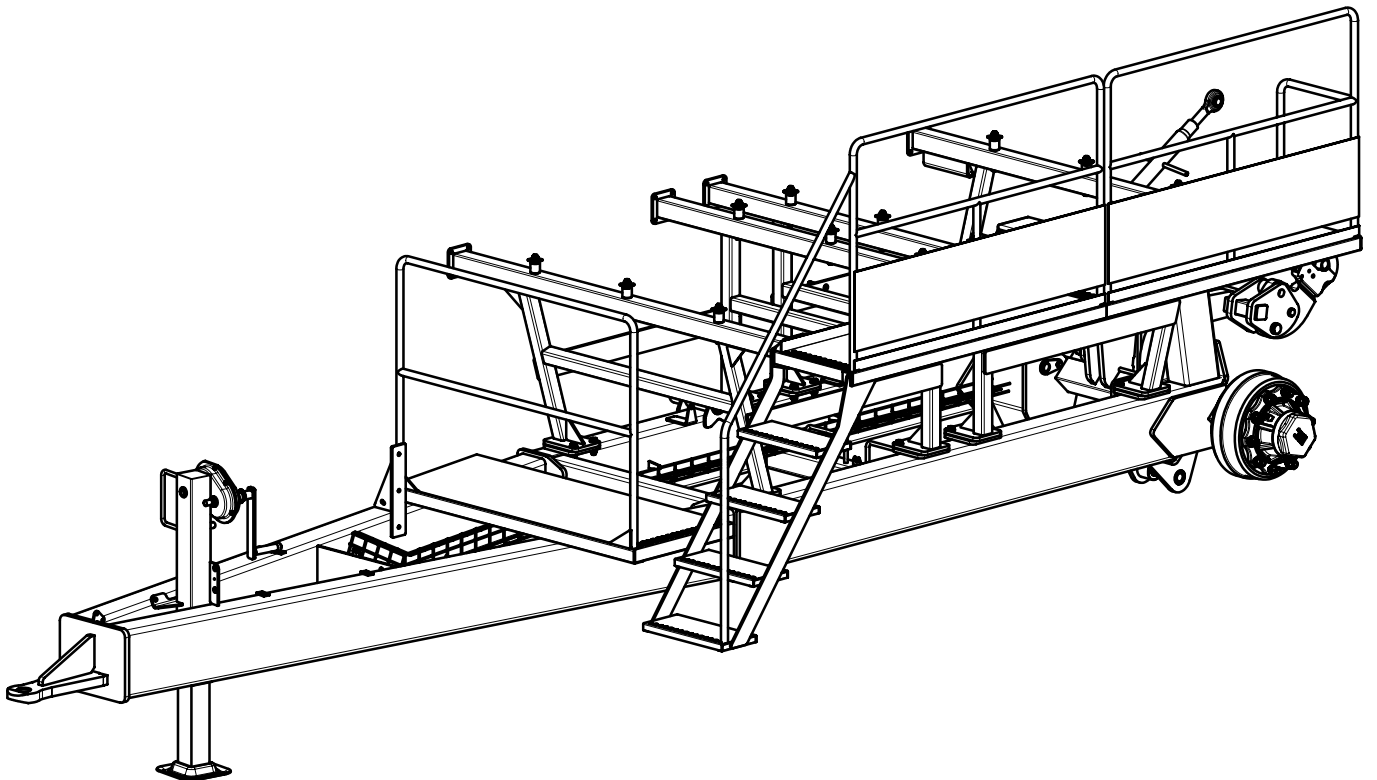


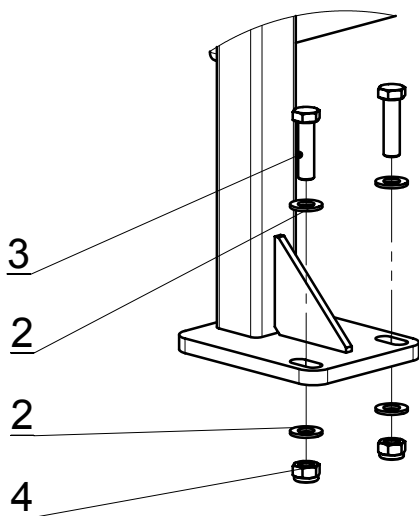
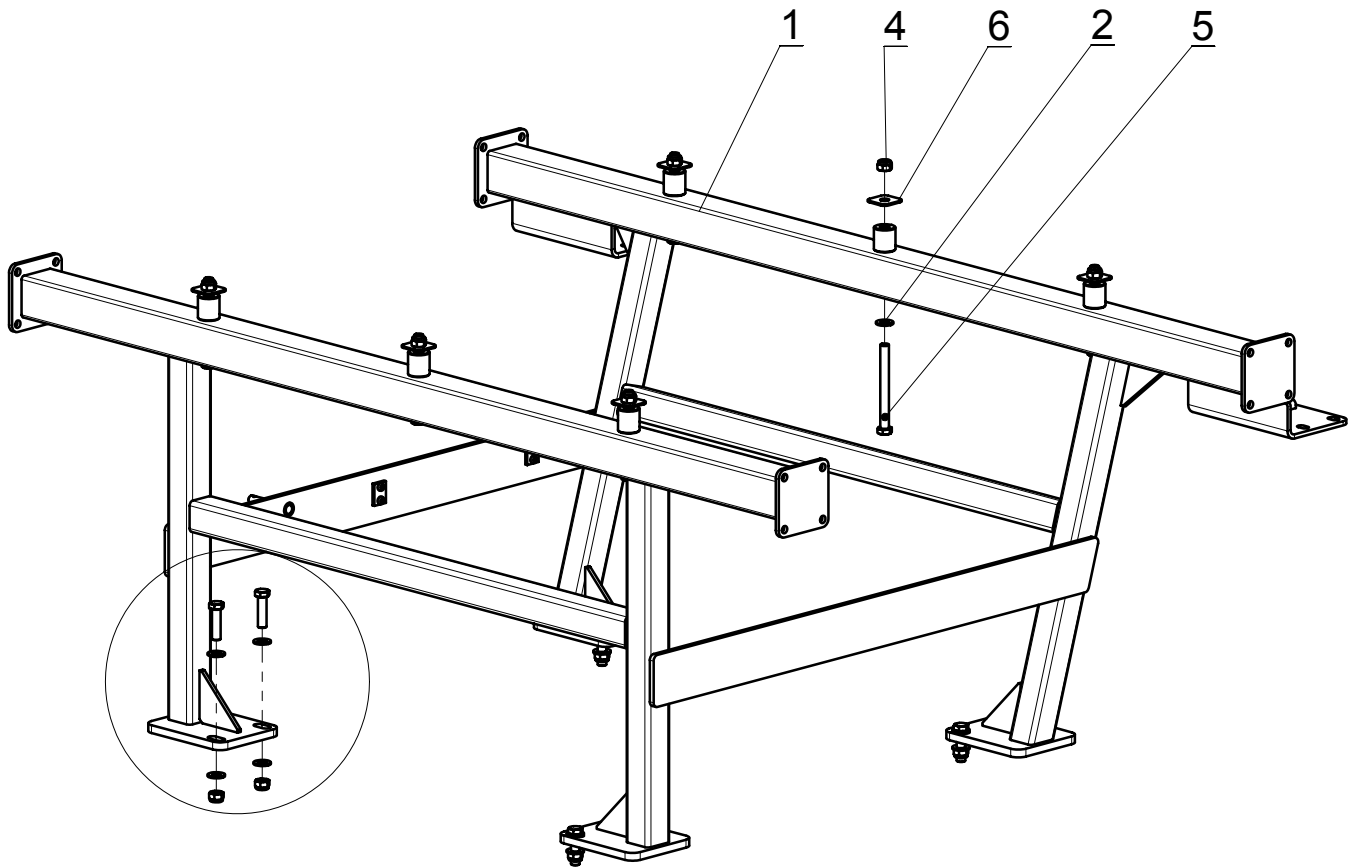


Framework kit DST-6000

Reference: SEM05-01-001

					Weight : 3342.17 Kg	
Seep	Reference	Description	Qty.	Weight	Comments	
1	SEM05-01-501	Lift-O-Sem framework	1	2631.21		
2	BP33-620-905	Hitch bar cat 3-3 lg 620-905	1	11.32		
3	SEM05-15-501	Jack cylinder shaft	4	2.70		
4	SEM05-15-502	Jack toggle shaft	2	2.14		
5	SEM05-02-502	Lift framework	1	162.45		
6	SEM05-02-505	Coupling hand cat 3 (1)	1	25.17		
7	SEM05-02-504	Coupling hand cat 3 (2)	1	25.17		
8	SEM05-01-002	Gangways' kit	1	173.39		
9	SEM05-01-004	Front hopper framework	1	141.08		
10	SEM05-01-003	Rear hopper framework	1	151.66		
11	BF-515	Friction ring Ø40 - 40	4	0.03		
12	SEM05-15-605	Shaft Ø32 x 105	2	1.22		
13	GC-10	Bolt clip Ø10	3	0.05		
14	32-135	Shaft Ø32 x 135 cat 3	1	1.11		
15	VH14-050	Screw H - M14 x 50 - 8.8 - bichromated yellow	6	0.089		
16	EN14	Nylstop Nut M14 - 8 - bichromated yellow	6	0.031		
17	CT60605	Tube-mask 60x60x5	1	0.03		
18	BF-521	Friction ring Ø65 - 30	2	0.09		
19	RBI3-3	Toggle cat 3 for lower arm	2	0.57		

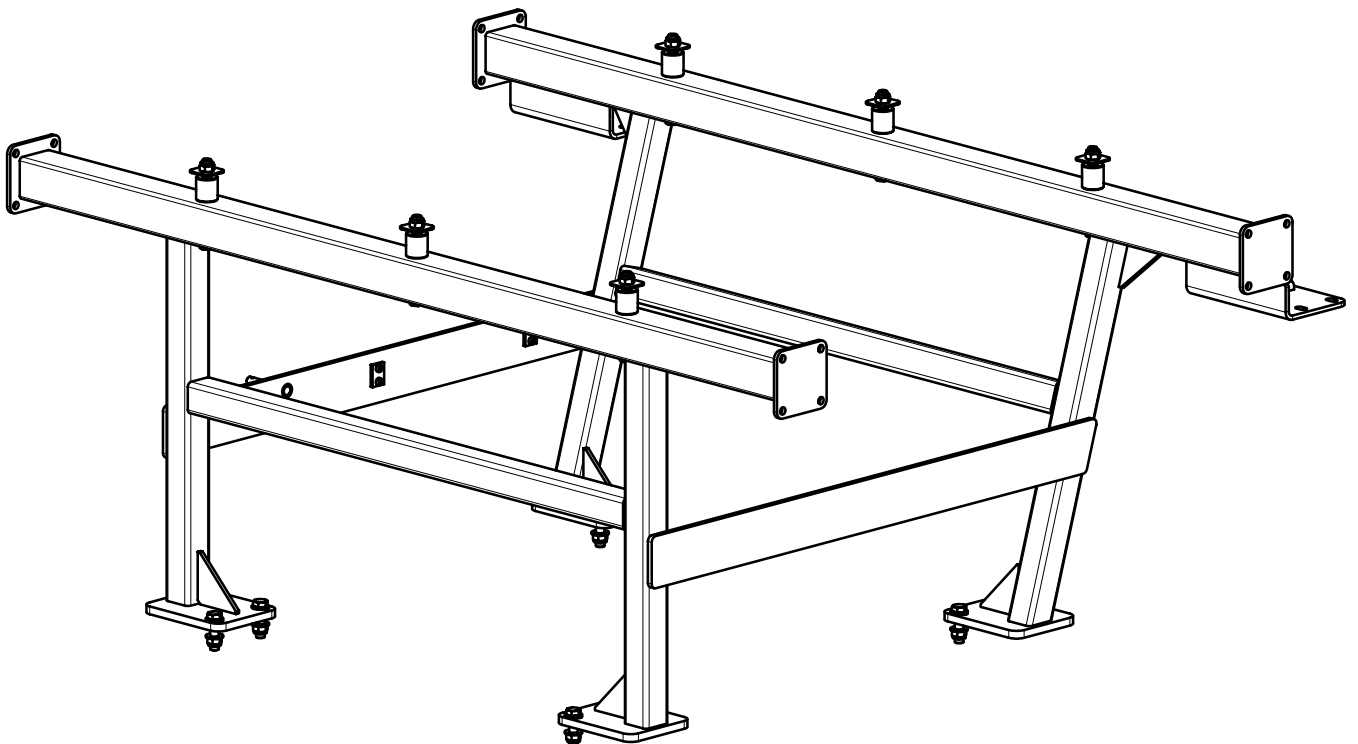


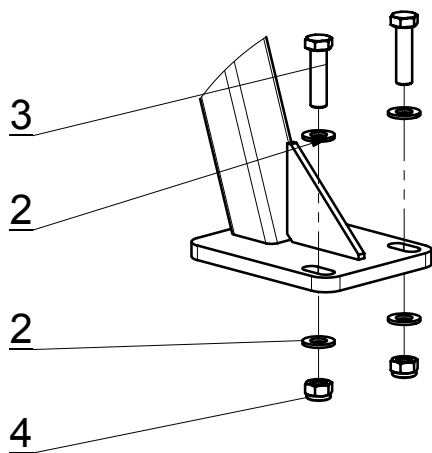
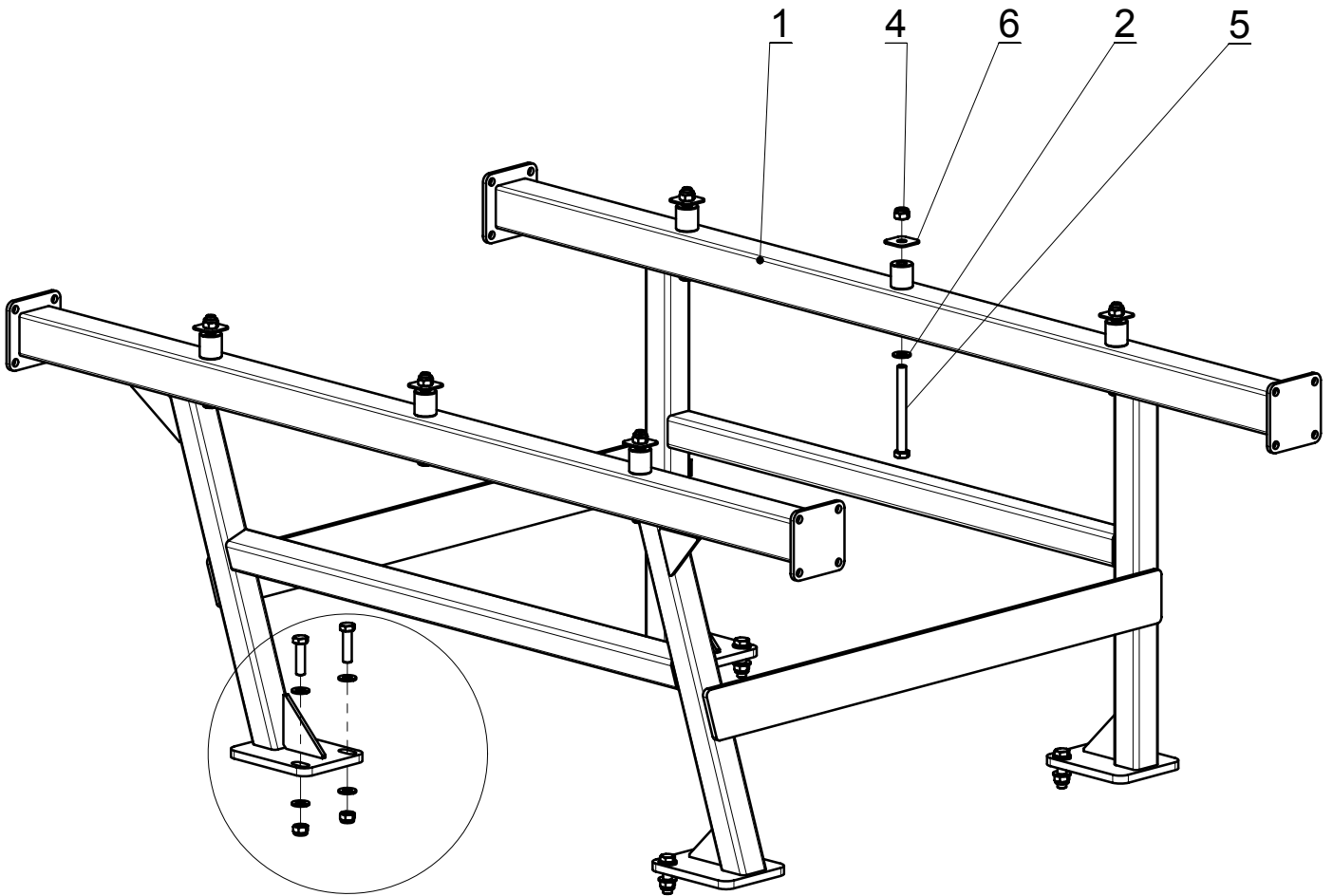


Rear hopper framework

Reference: SEM05-01-003

					Weight : 151.66 Kg
Seep	Reference	Description	Qty.	Weight	Comments
1	SEM05-01-523	Rear hopper framework	1	147.68	
2	R16M	Average washer Ø16 - yellow electro zinc	22	0.01	
3	VH16-060	Screw H - M16 x 60 - 8.8 - bichromated yellow	8	0.133	
4	EN16	Nylstop Nut M16 - 8 - bichromated yellow	14	0.039	
5	VH16-160	Screw H - M16 x 160 - 8.8 - bichromated yellow	6	0.291	
6	SEM04-01-677	Hopper lock washer	6	0.05	

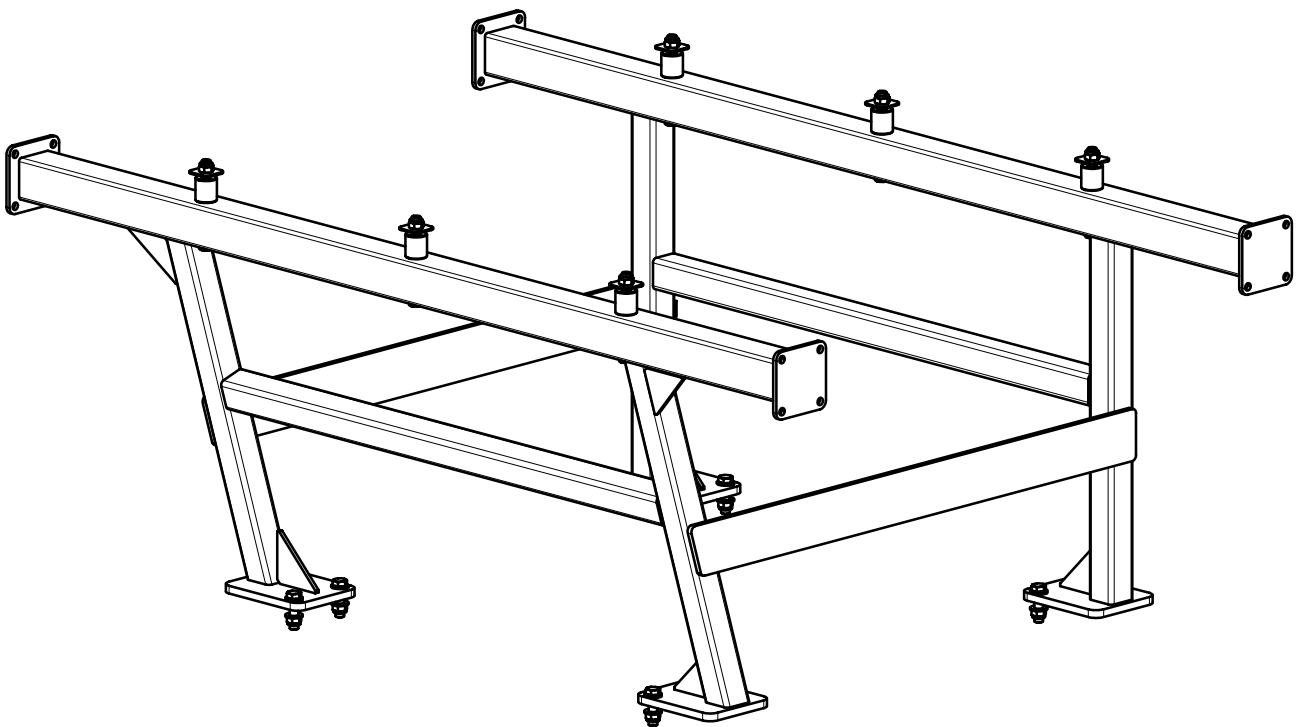


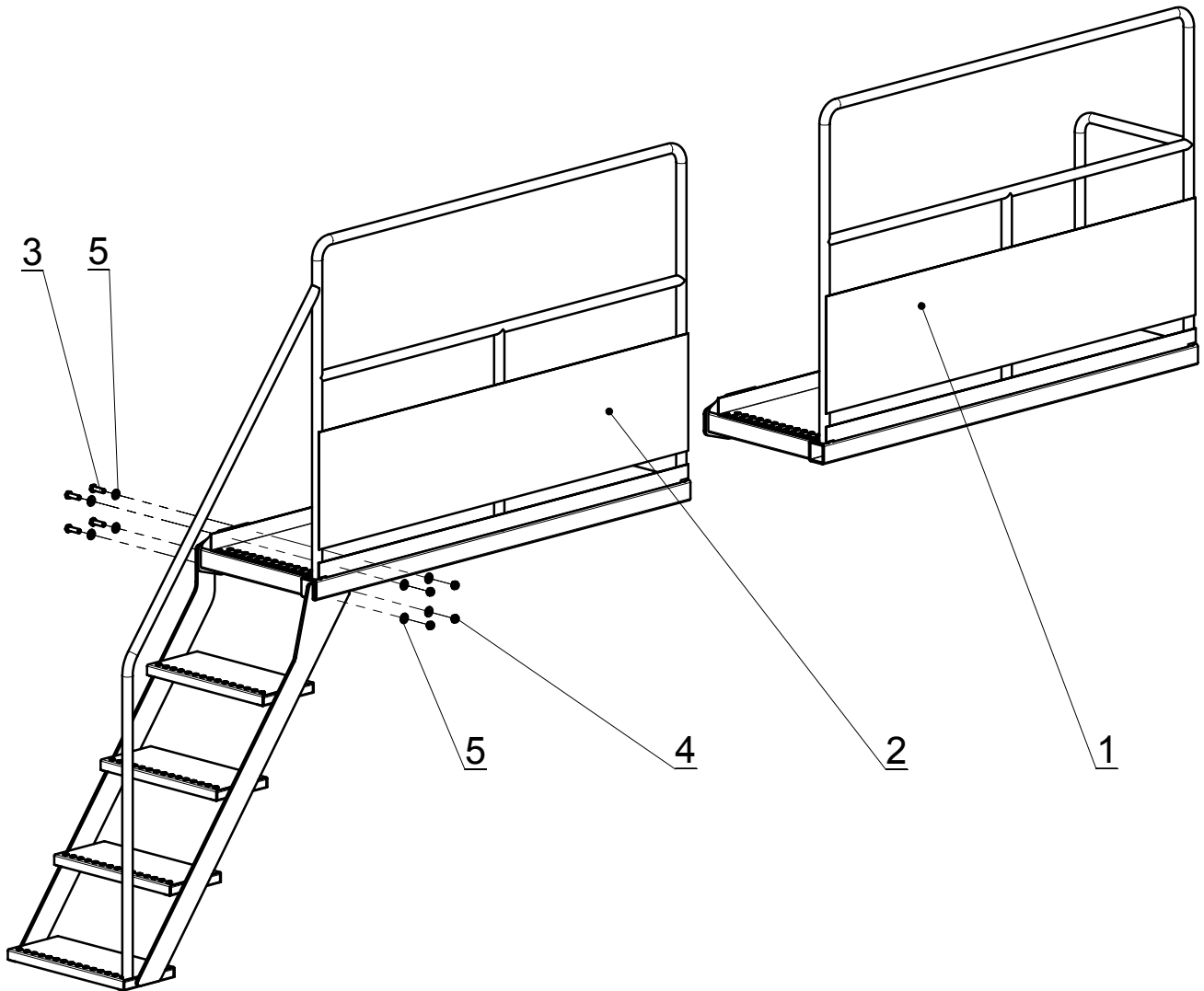


Front hopper framework

Reference: SEM05-01-004

					Weight : 141.08 Kg
Seep	Reference	Description	Qty.	Weight	Comments
1	SEM05-01-522	Front hopper framework	1	137.10	
2	R16M	Average washer Ø16 - yellow electro zinc	22	0.01	
3	VH16-060	Screw H - M16 x 60 - 8.8 - bichromated yellow	8	0.133	
4	EN16	Nylstop Nut M16 - 8 - bichromated yellow	14	0.039	
5	VH16-160	Screw H - M16 x 160 - 8.8 - bichromated yellow	6	0.291	
6	SEM04-01-677	Hopper lock washer	6	0.05	

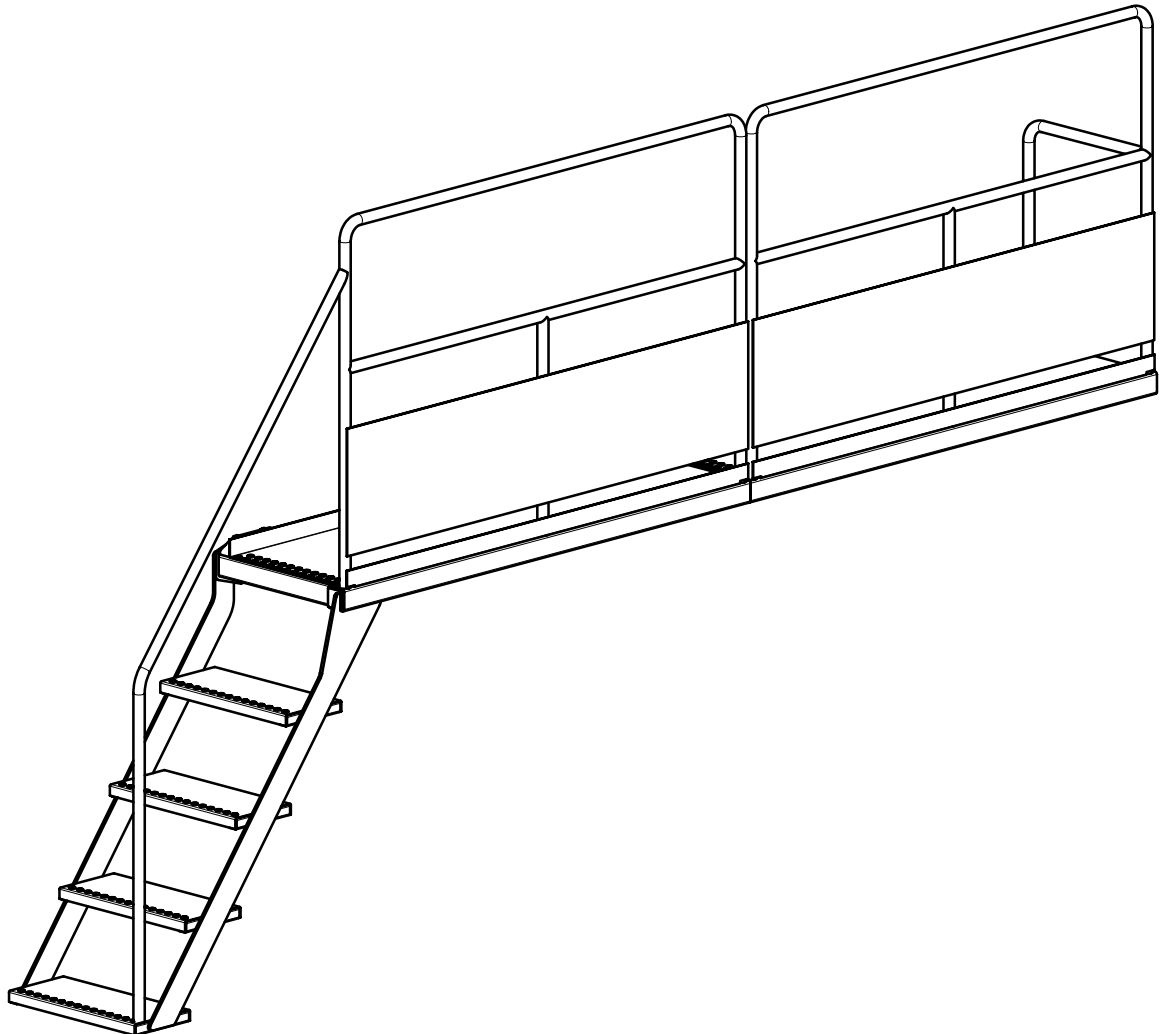


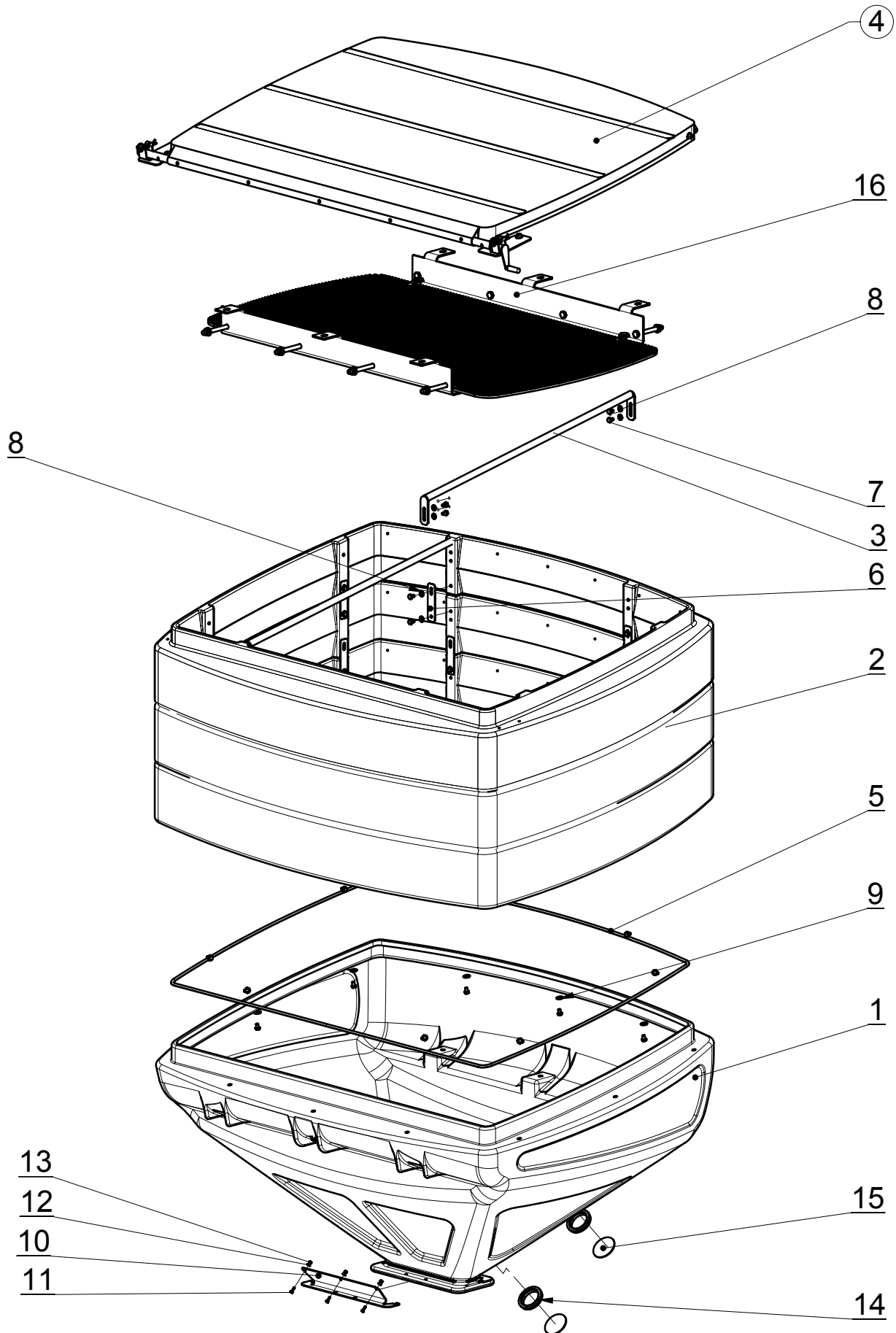


Gangways' kit

Reference: SEM05-01-002

					Weight: 173.39 Kg
Seep	Reference	Description	Qty.	Weight	Comments
1	SEM05-01-503	Right rear gangway	1	68.33	
2	SEM05-01-505	Right front gangway	1	103.60	
3	EN12	Nylstop Nut M12 - 8 - bichromated yellow	16	0.020	
4	VH12-040	Screw H - M12 x 40 - 8.8 - bichromated yellow	16	0.054	
5	R12M	Average washer Ø12 - yellow electro zinc	32	0.01	

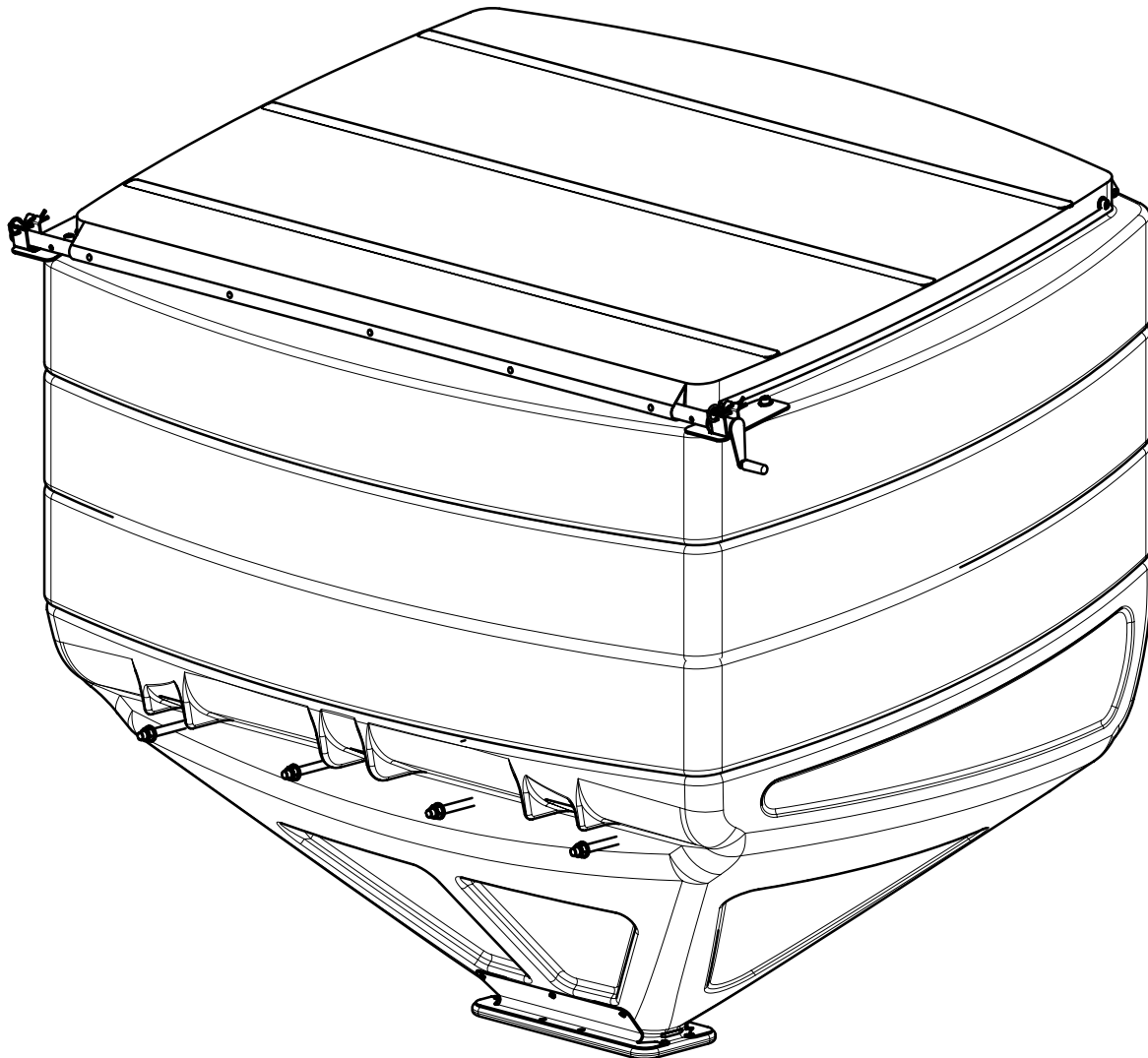


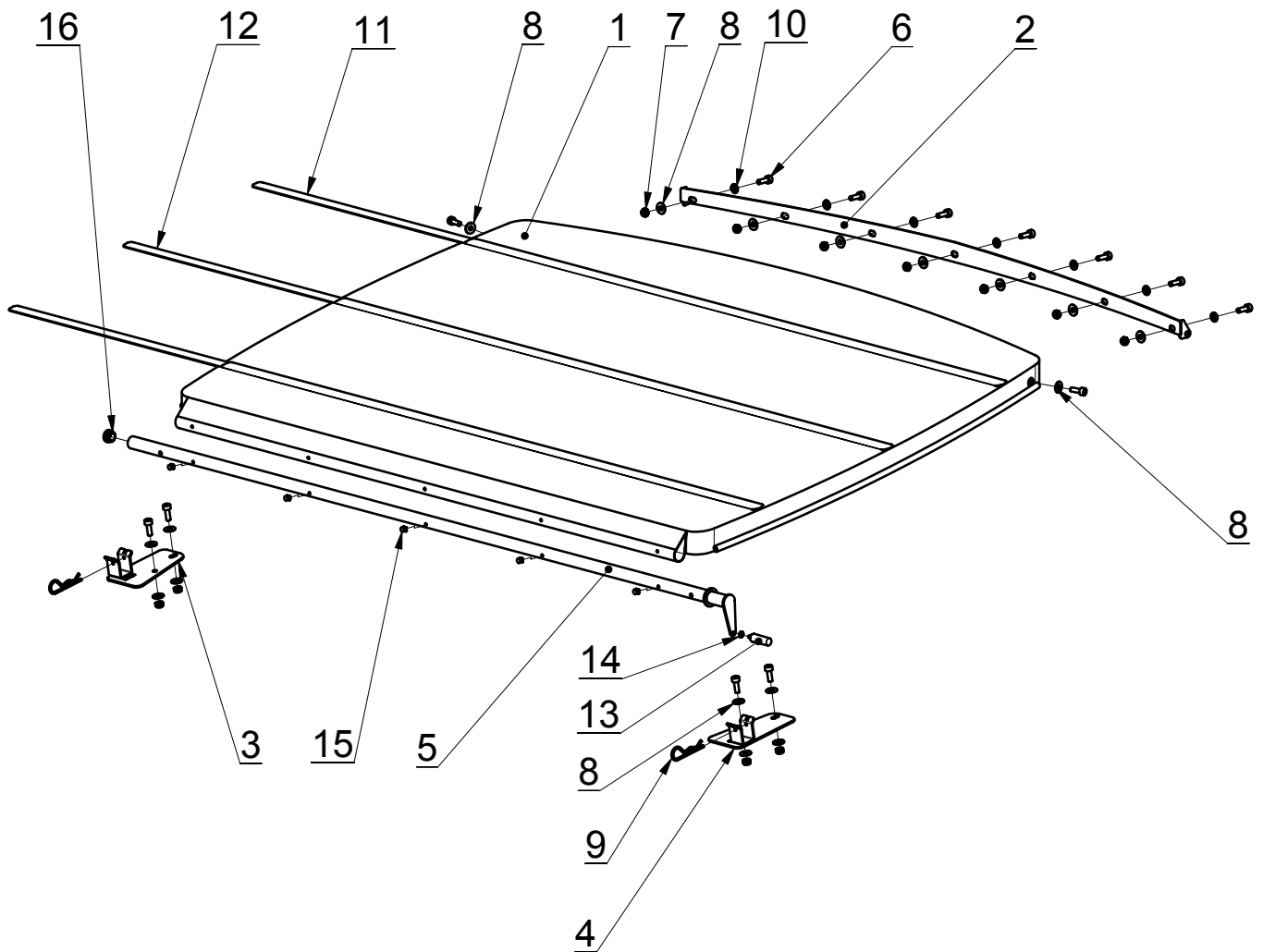


Hopper kit 3000L

Reference: SEM04-28-003

					Weight: 280.34 Kg	
Seep	Reference	Description	Qty.	Weight	Comments	
1	SEM04-28-604	1500 litre hopper	1	50.81		
2	SEM04-28-602	Side extention 500L	3	38.25		
3	SEM04-28-512	Tube cover support for side extention	1	42.22		
4	SEM04-28-005	Cover kit for 1500 litre hopper	1	15.65		
5	JADH08-5900	Sticker joint 8x10 ref:MF 08 lg:5900	3	0.17		
6	SEM04-28-642	Side extension assembled plate	16	0.13		
7	VH10-016-FT	Screw H - M10 x 16 - 8.8 - bichromated yellow	52	0.028		
8	RDC10	Washer Ø10 - yellow electro zinc	40	0.004		
9	R10L	Large washer Ø10- electro zinc	12	0.01		
10	SEM04-28-650	Hopper bracing 1500L	2	1.49		
11	VH6-020-FT	Screw H - M6 x 20 - 8.8 - bichromated yellow	6	0.007		
12	R6M	Average washer Ø6 - yellow electro zinc	6	0.00		
13	EN6	Nylstop Nut M6 - 8 - bichromated yellow	6	0.003		
14	JBP-6.5	Windscreen joint Lg 300	2	0.03		
15	SEM04-28-605	Window	2	0.02		
16	SEM04-28-006	Hopper grill kit	1	49.69		

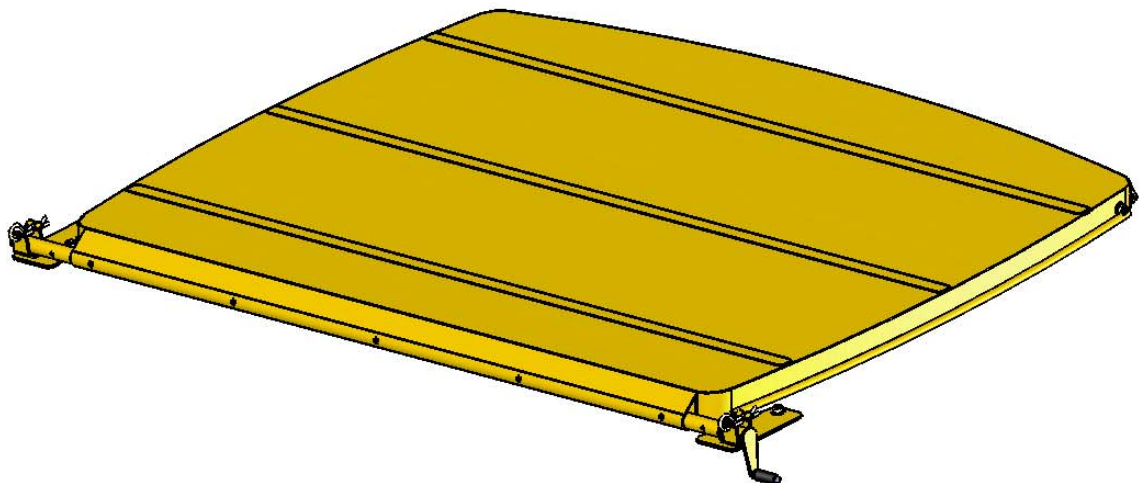


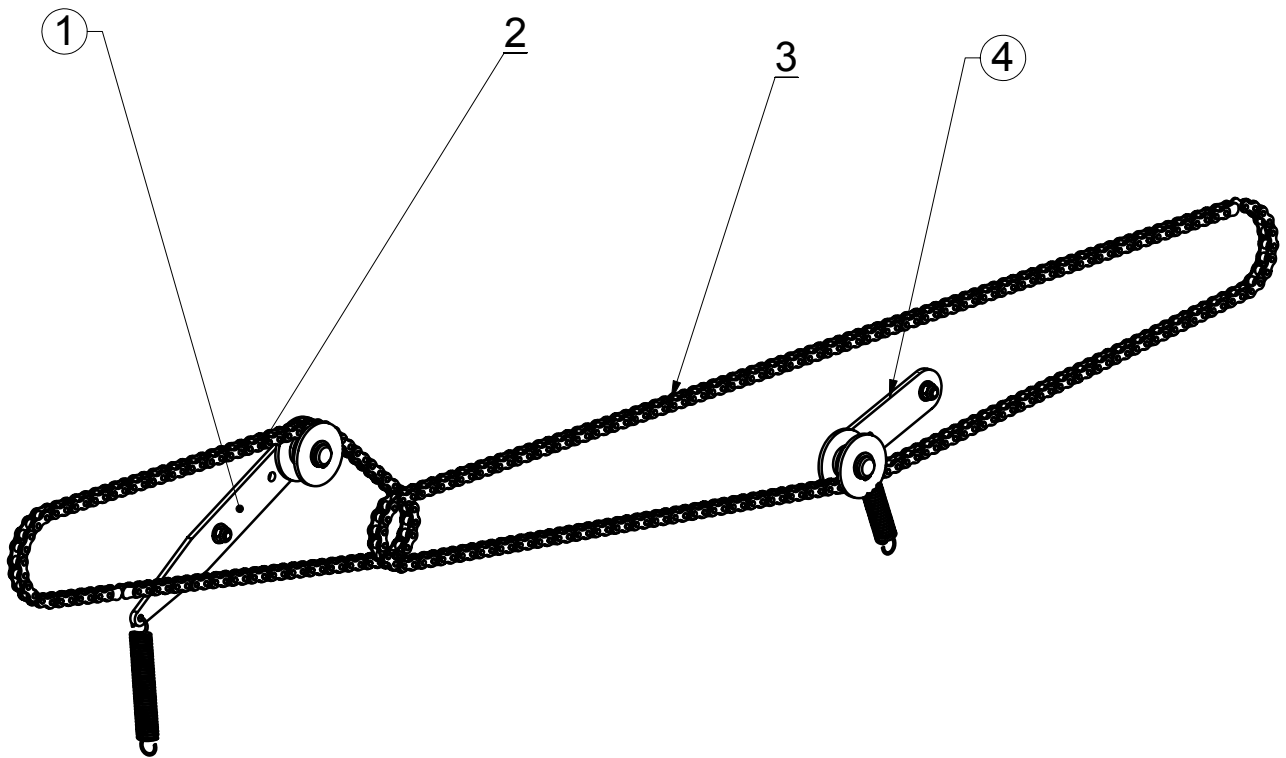


Cover kit for 1500 litre hopper

Reference : SEM04-28-005

					Weight : 15.65 Kg
Seep	Reference	Description	Qty.	Weight	Comments
1	SEM04-28-631	Cover	1	5.84	
2	SEM04-28-514	Cover tightness plate	1	1.74	
3	SEM04-28-510	Left cover tube support	1	0.73	
4	SEM04-28-511	Rigth cover tube support	1	0.73	
5	SEM04-28-509	Cover tube	1	2.94	
6	VCHC10-030-FT	Screw CHc - M10 x 30 - 8.8 - bichromated yellow	13	0.03	
7	EN10	Nylstop Nut M10 - 8 - bichromated yellow	13	0.014	
8	R10L	Large washer Ø10- electro zinc	19	0.01	
9	GB5-16-27	Beta clips - Ø5x16-27	2	0.04	
10	R10M	Average washer Ø10 - yellow electro zinc	7	0.00	
11	SEM04-28-646	Cover lathe lg 1,85m	2	0.87	
12	SEM04-28-647	Cover lathe lg 1,90m	1	0.89	
13	PCT6	Cylindrical grip M6	1	0.13	
14	RDC6	Washer Ø6 - yellow electro zinc	1	0.001	
15	RAE6-8	Flat-head rivet Ø6-8	5	0.00	
16	CT30-2	Tube-mask Ø30x1,5	1	0.004	

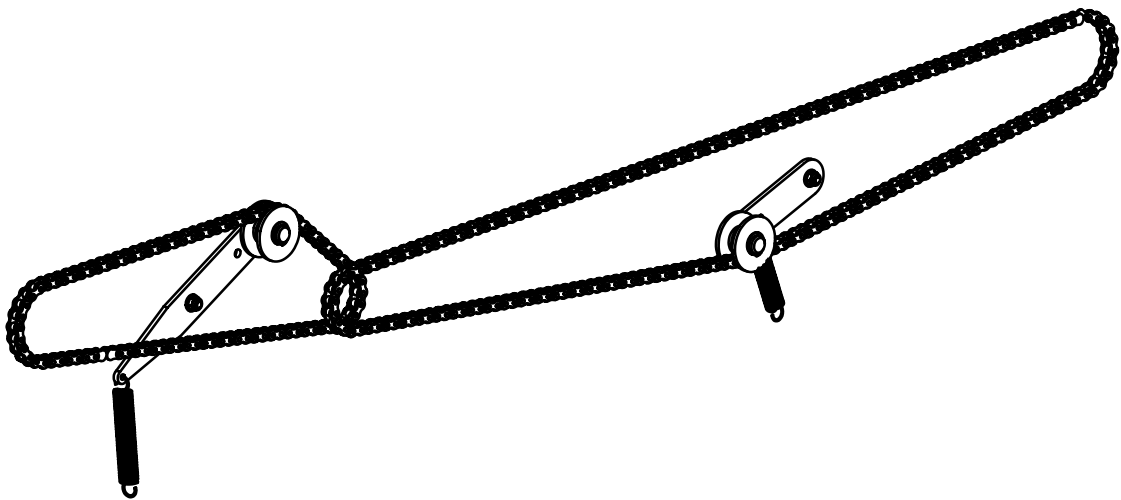


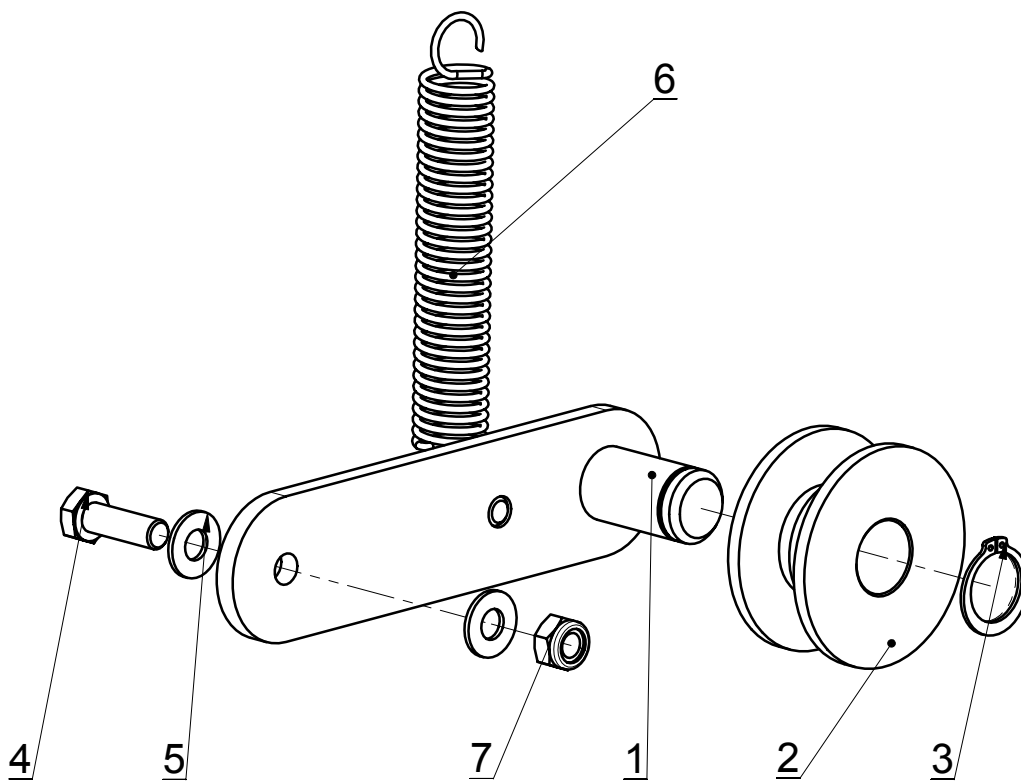


Distribution's transmission kit

Reference: SEM05-22-001

					Weight: 3.94 Kg
Seep	Reference	Description	Qty.	Weight	Comments
1	SEM05-13-002	Front tension- pulley arm kit	1	0.62	
2	SEM05-22-601	Chain - DIN8187 - pas 12,7 - 88 maillons	1	0.91	
3	SEM05-22-602	Chain - DIN8187 - pas 12,7 - 190 maillons	1	1.92	
4	SEM05-13-003	Rear tension- pulley arm kit	1	0.48	

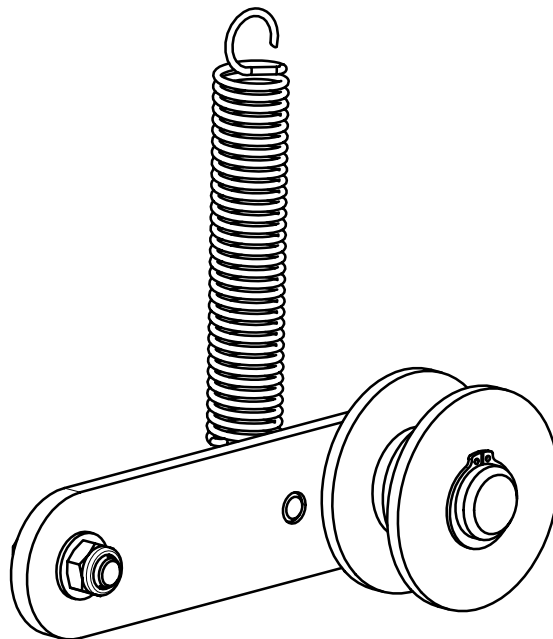


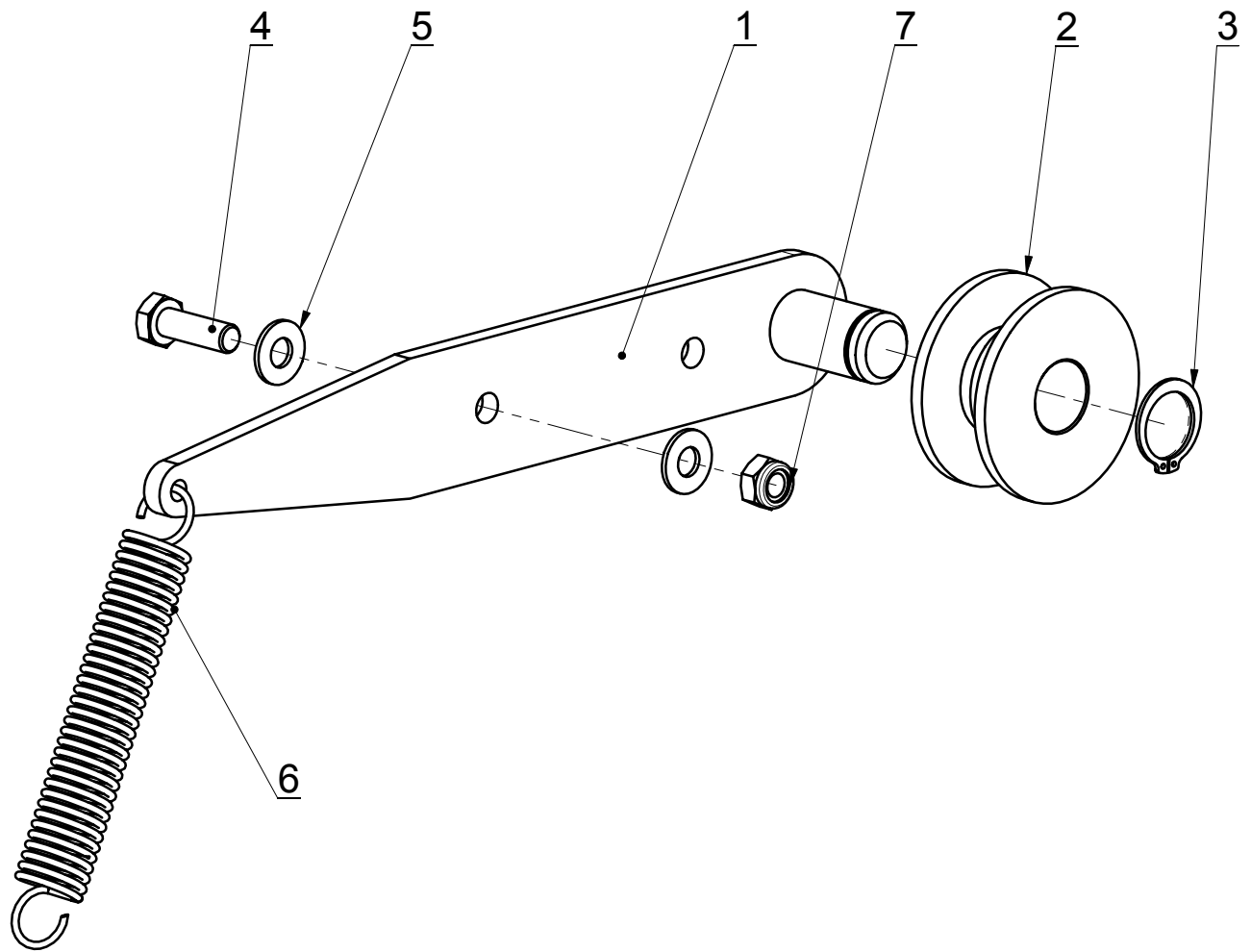


Rear tension- pulley arm kit

Reference: SEM05-13-003

					Weight: 0.48 Kg
Seep	Reference	Description	Qty.	Weight	Comments
1	SEM05-13-507	Tension-pulley arm	1	0.37	
2	SEM05-13-618	Chain tension pulley	1	0.03	
3	CE20-1,2	External circlip 20x1,2	1	0.002	
4	VH8-025-FT	Screw H - M8 x 25 - 8.8 - bichromated yellow	1	0.016	
5	R8M	Average washer Ø8 - yellow electro zinc	2	0.00	
6	RES-601	Release spring - wire Ø2 - Ø20 - 100	1	0.05	
7	EN8	Nylstop Nut M8 - 8 - bichromated yellow	1	0.006	

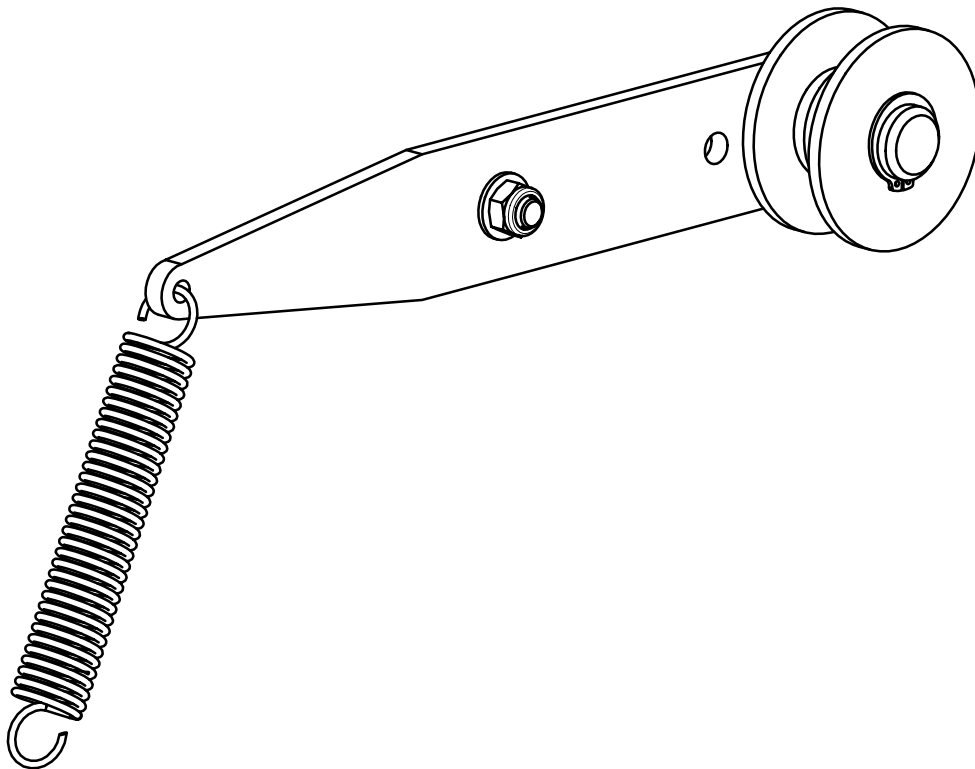


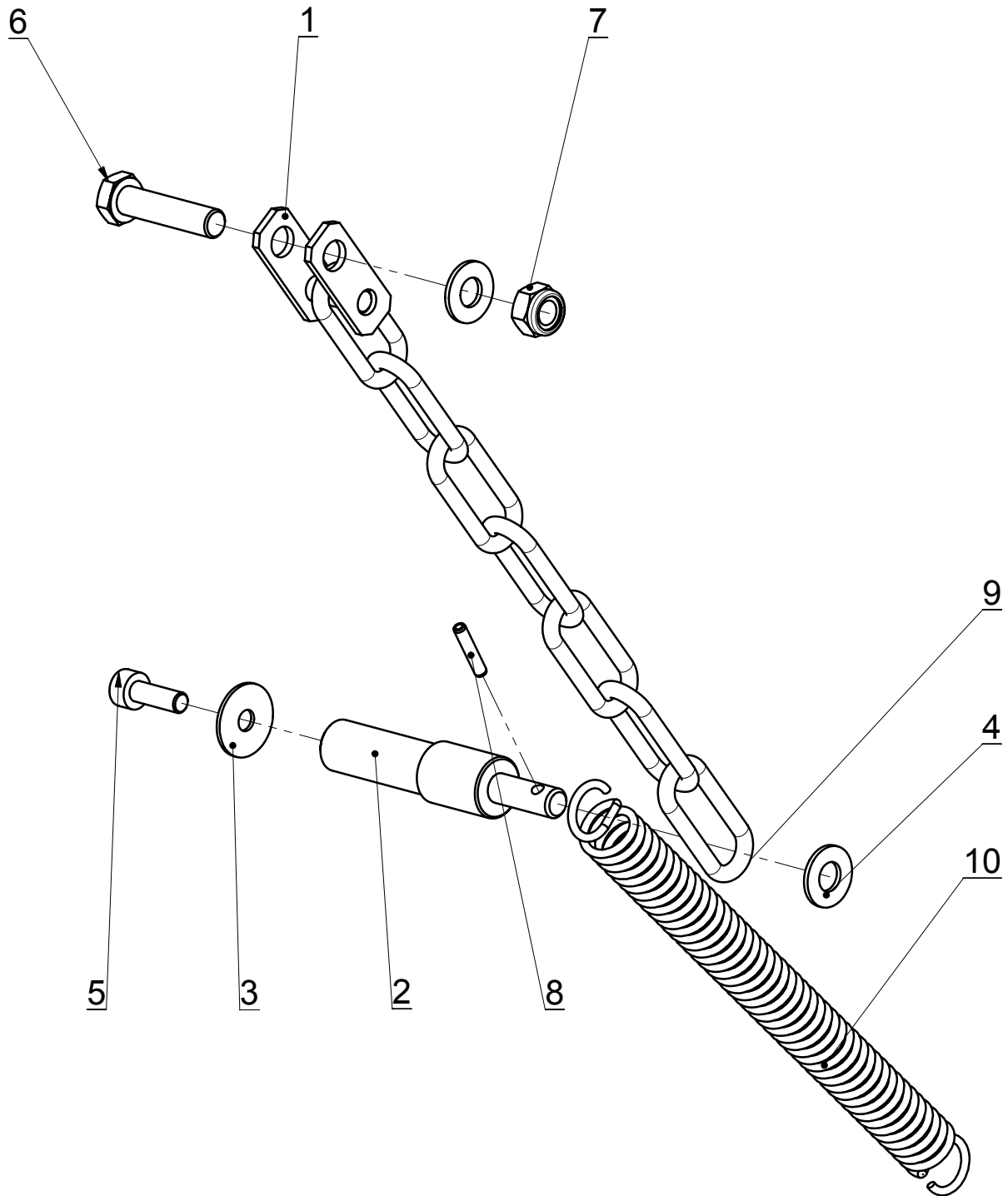


Front tension- pulley arm kit

Reference: SEM05-13-002

					Weight: 0.62 Kg
Seep	Reference	Description	Qty.	Weight	Comments
1	SEM05-13-506	Tension-pulley arm	1	0.51	
2	SEM05-13-618	Chain tension pulley	1	0.03	
3	CE20-1,2	External circlip 20x1,2	1	0.002	
4	VH8-025-FT	Screw H - M8 x 25 - 8.8 - bichromated yellow	1	0.016	
5	R8M	Average washer Ø8 - yellow electro zinc	2	0.00	
6	RES-601	Release spring - wire Ø2 - Ø20 - 100	1	0.05	
7	EN8	Nylstop Nut M8 - 8 - bichromated yellow	1	0.006	

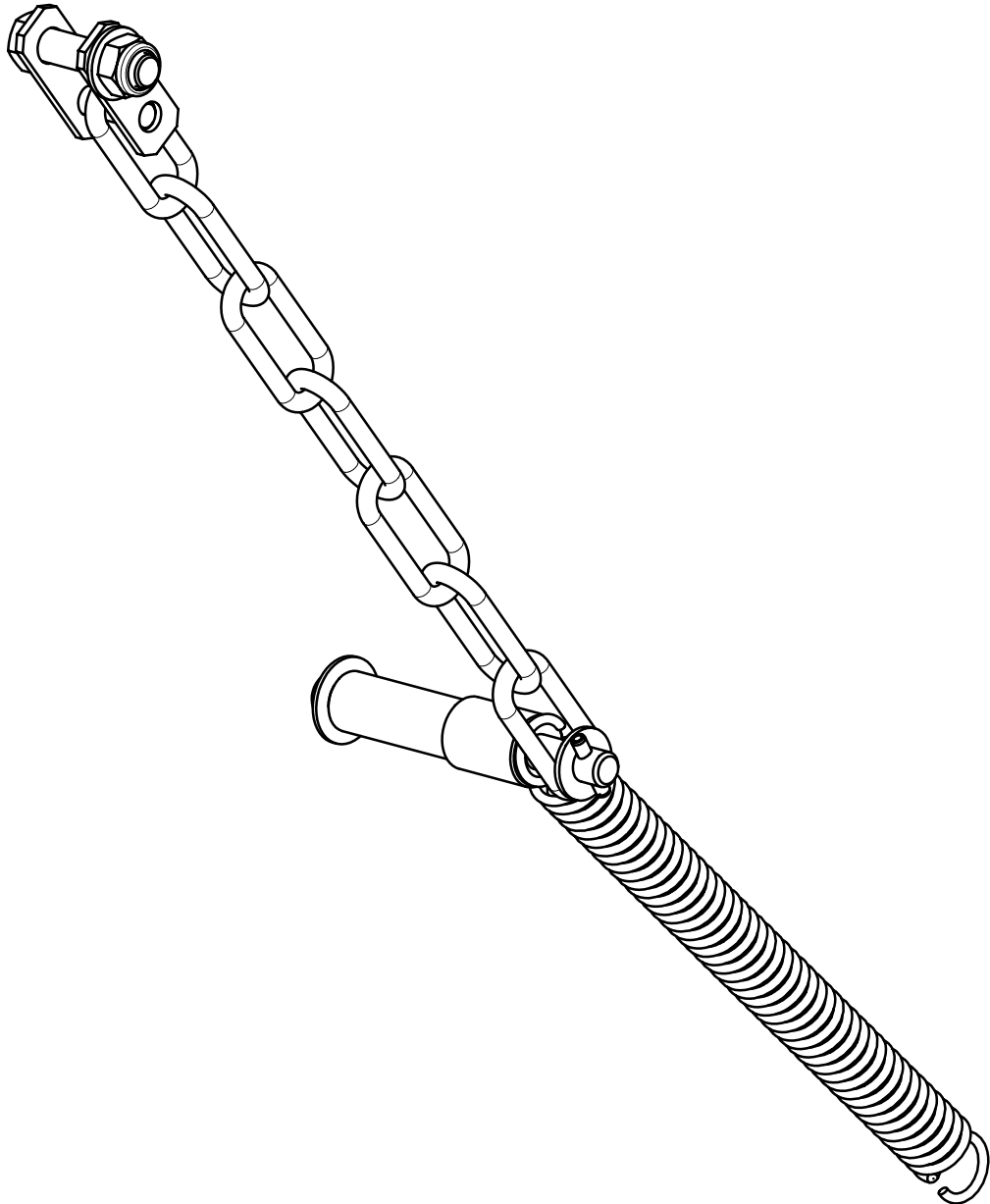


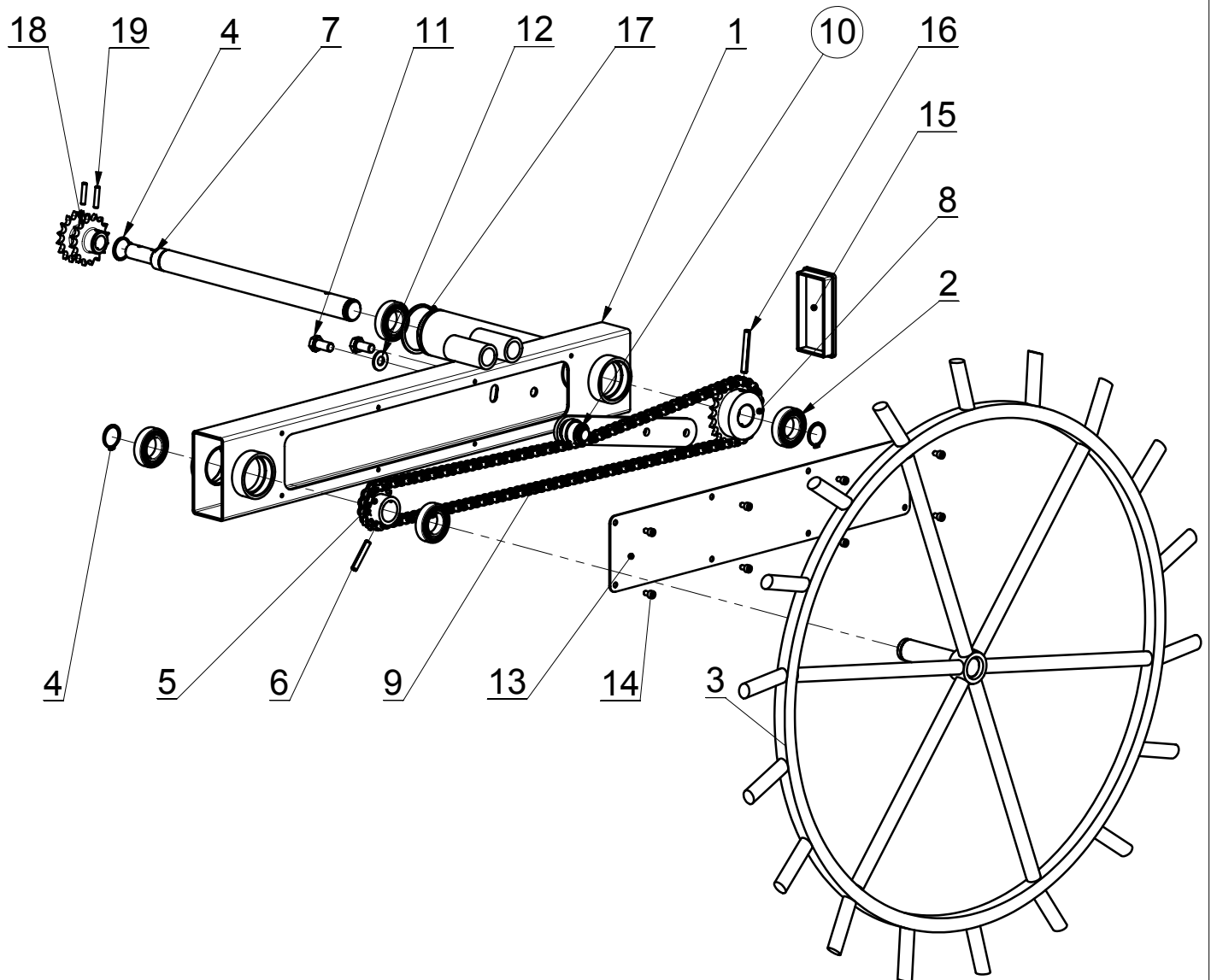


Land wheel lift kit

Reference: SEM05-12-001

					Weight: 1.68 Kg
Seep	Reference	Description	Qty.	Weight	Comments
1	SEM04-13-501	Jack clevis mounting	1	0.11	
2	SEM04-13-601	Chain shaft	1	0.52	
3	R10LL	Extra large washer Ø10- electro zinc	1	0.01	
4	R14M	Average washer Ø14 - yellow electro zinc	2	0.01	
5	VCHC10-030-FT	Screw CHc - M10 x 30 - 8.8 - bichromated yellow	1	0.03	
6	VH14-060	Screw H - M14 x 60 - 8.8 - bichromated yellow	1	0.101	
7	EN14	Nylstop Nut M14 - 8 - bichromated yellow	1	0.031	
8	GE06-30	Elastic pin Ø6x30	1	0.00	
9	SEM05-22-603	Chain 7 links Ø8-52x16	1	0.46	
10	RES-602	Traction spring Ø4 - Ø30 - 210	1	0.38	

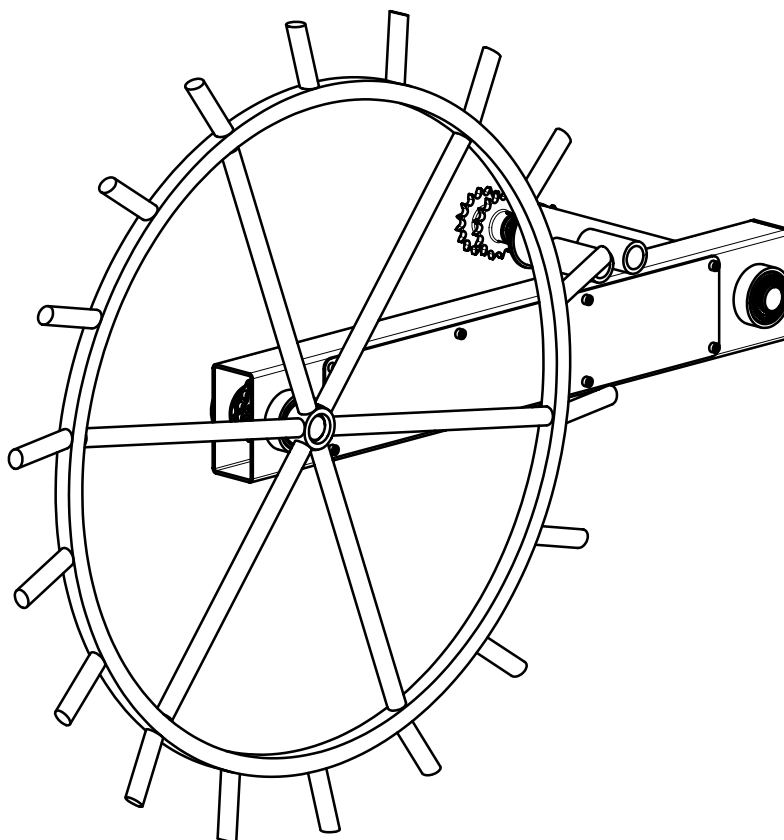


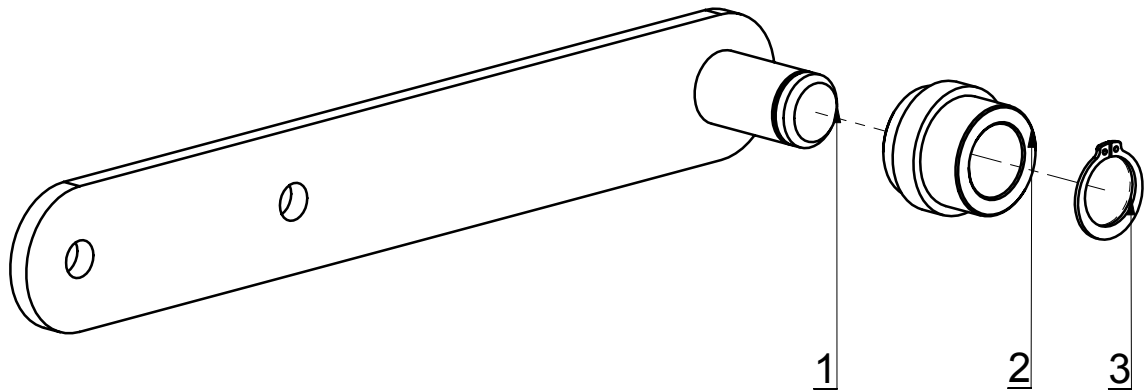


Land wheel arm kit

Reference: SEM05-13-001

					Weight: 32.99 Kg
Seep	Reference	Description	Qty.	Weight	Comments
1	SEM02-13-501	Sun wheel arms	1	9.42	
2	ROUL-515	Roll-on bearing Ø30x55x13 with joints	4	0.12	
3	SEM02-13-525	"Sun" wheel	1	16.37	
4	CE29-1,5	External circlip 29x1,5	3	0.003	
5	PIGN12,7-14-2	Pinion 08B1-14 teeth- 12,7- Ø30	1	0.181	
6	GE08-45	Elastic pin Ø8x45	1	0.01	
7	SEM05-13-603	Land wheel outlet shaft	1	2.26	
8	PIGN12,7-21-2	Pinion 08B1-21 teeth- 12,7- Ø30	1	0.705	
9	DOM6-13-680	Chain - DIN 8187- Thread 12,7-128 links	1	1.30	
10	SEM02-13-002	Tension- pulley arm kit	1	0.60	
11	VH12-025-FT	Screw H - M12 x 25 - 8.8 - bichromated yellow	2	0.040	
12	R12M	Average washer Ø12 - yellow electro zinc	1	0.01	
13	SEM02-13-618	Sheet panel closure	1	1.01	
14	VCHC6-010-FT	Screw CHc - M6 x 10 - 8.8 - bichromated yellow	8	0.01	
15	CT120603	Tube-mask 120x60x3	1	0.06	
16	GE08-60	Elastic pin Ø8x60	1	0.01	
17	CE65-2,5	External circlip 65x2,5	1	0.016	
18	PIGN12,7-16-1	Pinion 08B1-16 dents-12,7-Ø20	2	0.22	
19	GE06-30	Elastic pin Ø6x30	2	0.00	

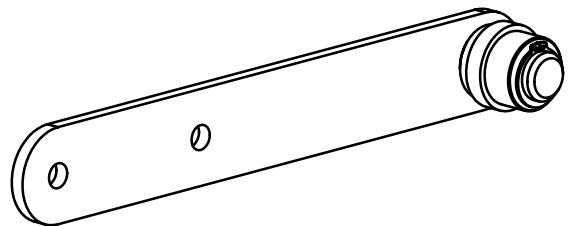


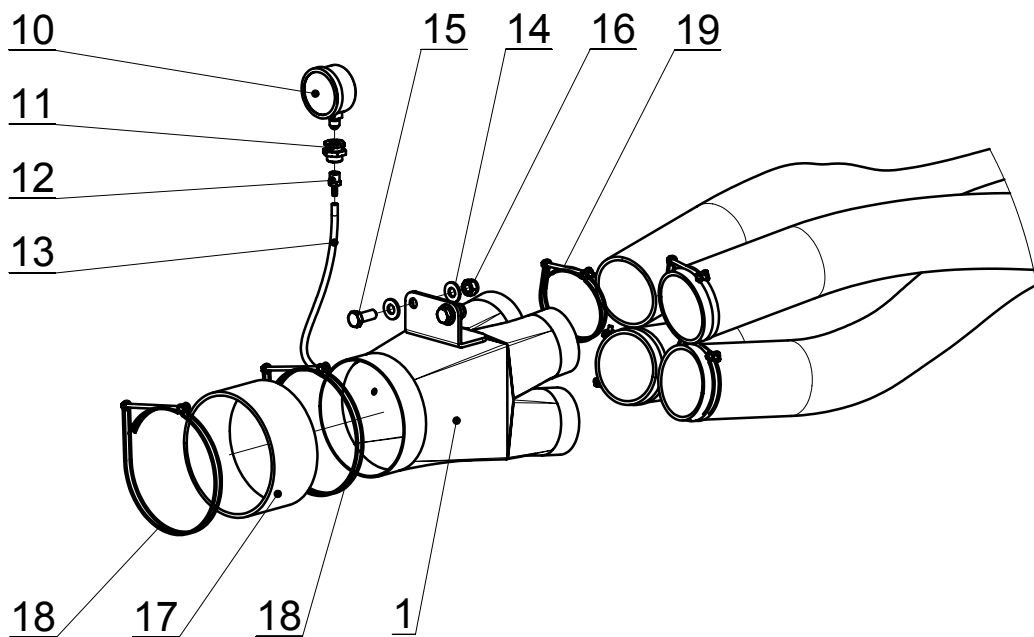
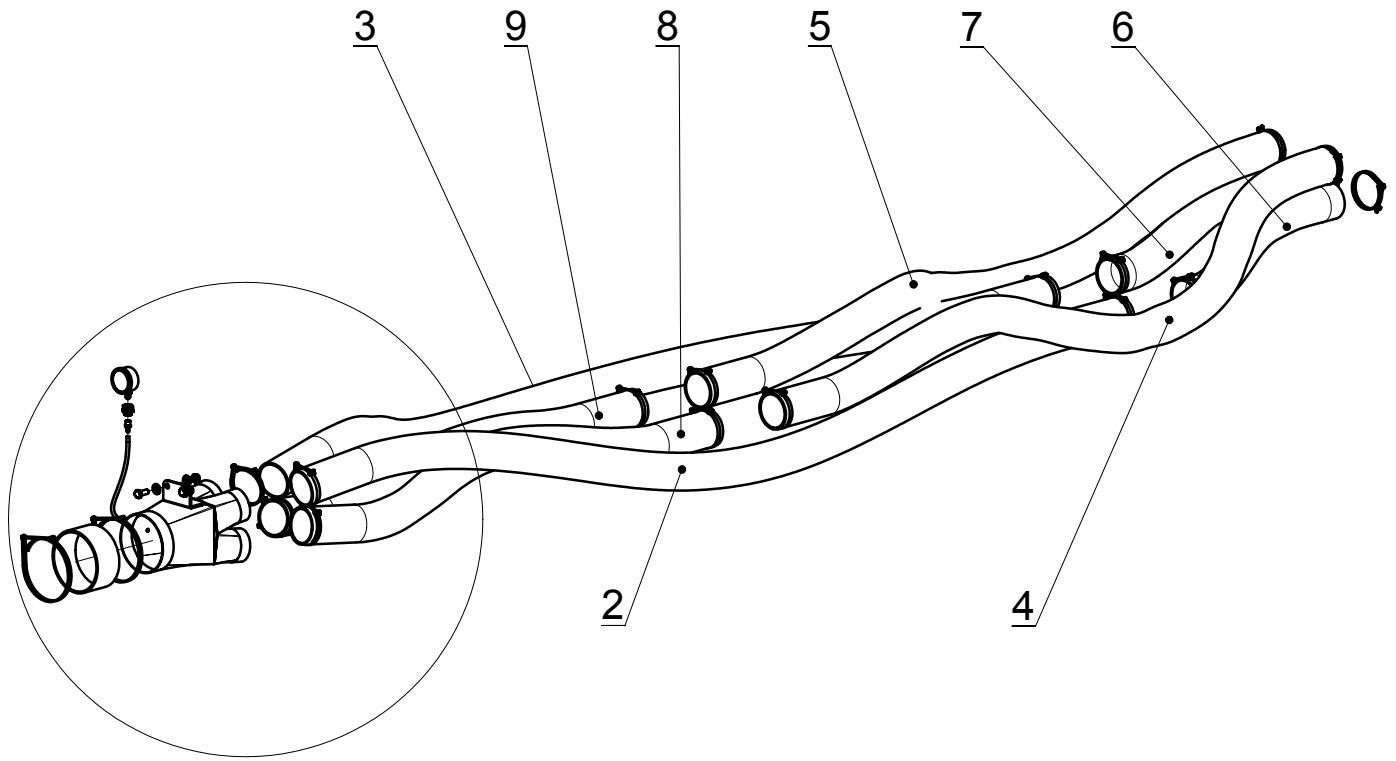


Tension- pulley arm kit

Reference: SEM02-13-002

					Weight: 0.60 Kg
Seep	Reference	Description	Qty.	Weight	Comments
1	SEM02-13-506	Tension-pulley arm	1	0.59	
2	SEM02-13-616	Chain tension pulley	1	0.01	
3	CE20-1,2	External circlip 20x1,2	1	0.002	

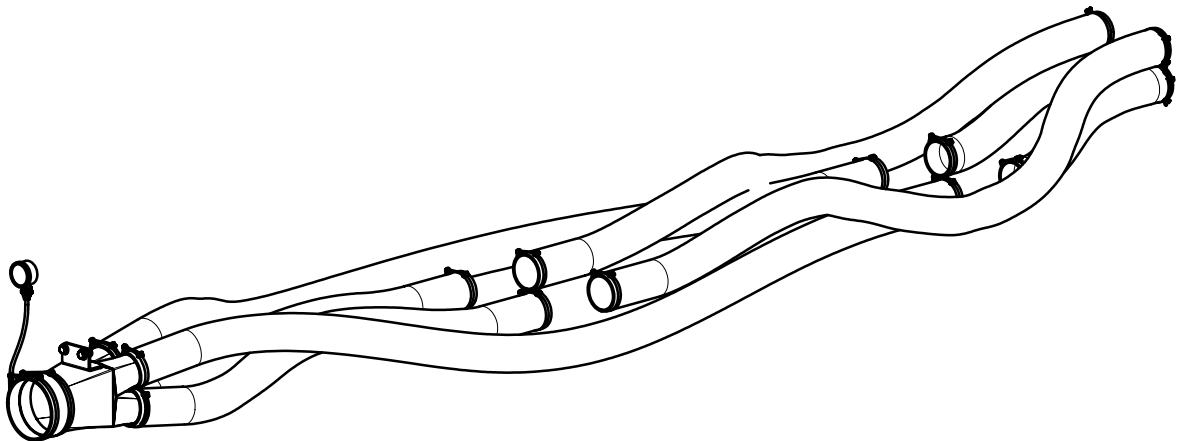


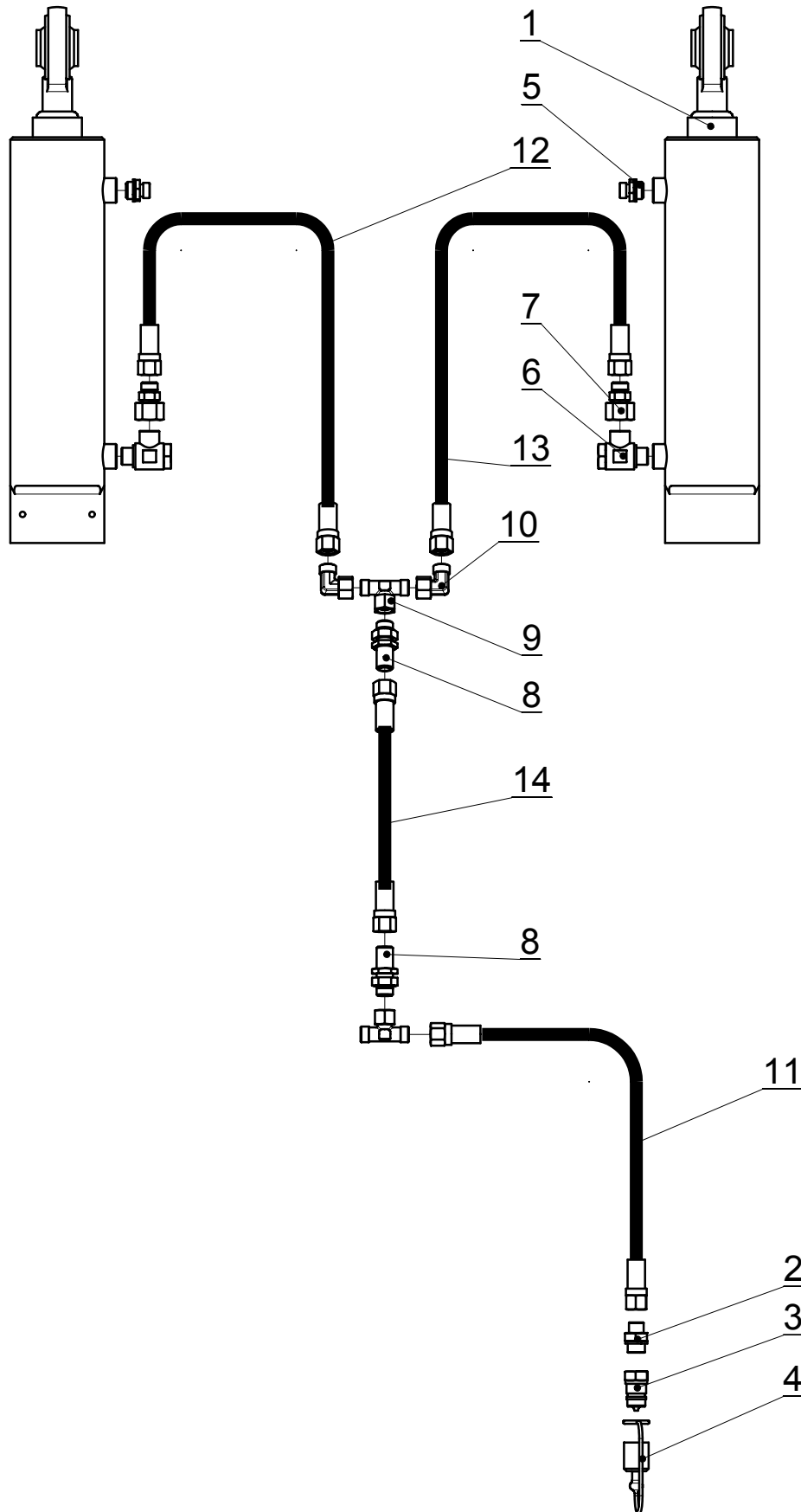


Hose kit

Reference: SEM05-32-001

					Weight: 29.76 Kg
Seep	Reference	Description	Qty.	Weight	Comments
1	SEM01-30-530	Air manifold	1	4.17	
2	TUS-90	Spiral hose Ø90 lg 2,84m	1	4.99	
3	TUS-90	Spiral hose Ø90 lg 2,84m	1	4.88	
4	TUS-90	Spiral hose Ø90 lg 5m	1	3.80	
5	TUS-90	Spiral hose Ø90 lg 5m	1	3.80	
6	TUS-90	Spiral hose Ø90 lg 2,25m	1	1.04	
7	TUS-90	Spiral hose Ø90 lg 2,25m	1	1.04	
8	TUS-90	Spiral hose Ø90 lg 1,3m	1	2.30	
9	TUS-90	Spiral hose Ø90 lg 1,3m	1	2.24	
10	MANO-0-100MB	Pressure gauge Ø68 - 0/100 mbar	1	0.14	
11	TC014R20	Gland 1/4" gas - M20	1	0.06	
12	DAM014R6	Male ringed bush 1/4" gas - Ø6	1	0.02	
13	TUP-6-8	Black polyamide hose 6/8 - lg 0,650m	1	0.02	
14	R12M	Average washer Ø12 - yellow electro zinc	4	0.01	
15	VH12-030-FT	Screw H - M12 x 30 - 8.8 - bichromated yellow	2	0.045	
16	EN12	Nylstop Nut M12 - 8 - bichromated yellow	2	0.020	
17	TUS-160	Spiral hose Ø160 lg 0,1m	1	0.24	
18	CDF-160	Double-threaded clamp Ø160	2	0.07	
19	CDF-90	Double-threaded clamp Ø90	16	0.05	

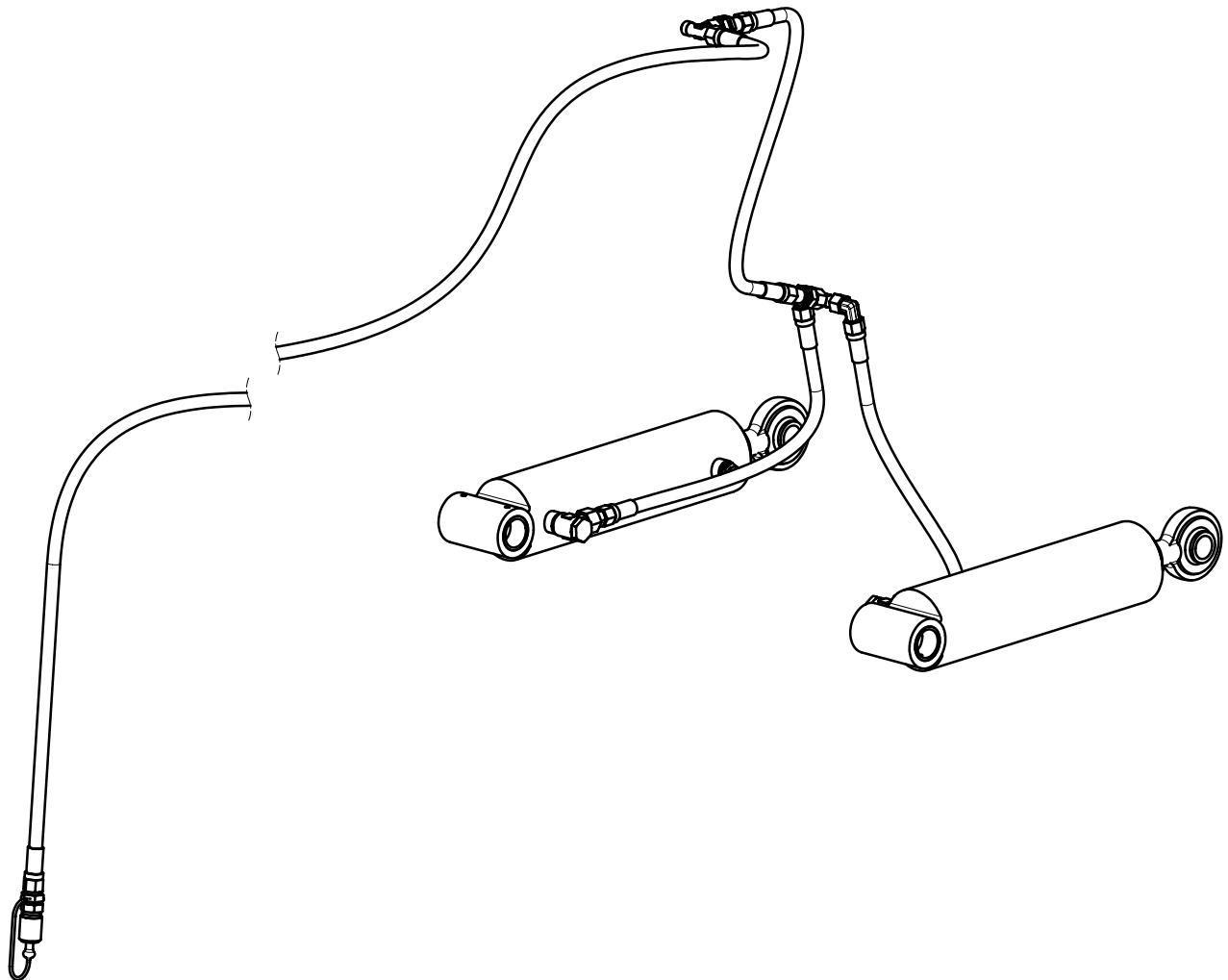


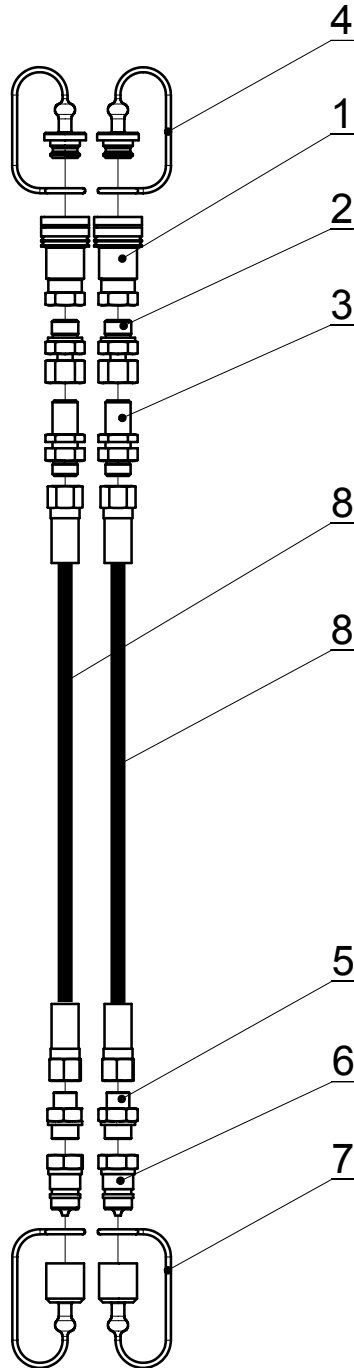


Lift hydraulic kit

Reference: SEM05-20-001

					Weight: 60.13 Kg
Seep	Reference	Description	Qty	Weight	Comments
1	V601000270	Double-acting ram 1/2' gas (stroke 270)	2	27.93	
2	UM12S012R	Male union fitting 1/2" gas - DIN12S	1	0.09	
3	CHMC012	Male valve coupler 1/2" gas	1	0.11	
4	TF1521N	Female plug for male coupler CHMC012 black	1	0.02	
5	REN012	Breather 1/2" gas	2	0.07	
6	CB16S012R	Banjo union DIN16S 1/4" gas	2	0.33	
7	ADR16-12S	Rotating convertor DIN16S - DIN12S	2	0.16	
8	UEC12S	Compartment double union fitting DIN 12S	2	0.15	
9	TO12S	Swivelling T DIN 12S	2	0.13	
10	CT12S	Adaptable bend DIN 12S	2	0.11	
11	2T-08000-12S12S	Flexible coupling 8m DIN12S - DIN12S	1	1.08	
12	2T-00600-12S12S	Flexible coupling 0,60m DIN12S - DIN12S	1	0.07	
13	2T-00600-12S12S	Flexible coupling 0,60m DIN12S - DIN12S	1	0.08	
14	2T-00600-12S12S	Flexible coupling 0,60m DIN12S - DIN12S	1	0.08	

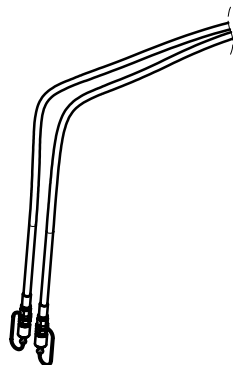


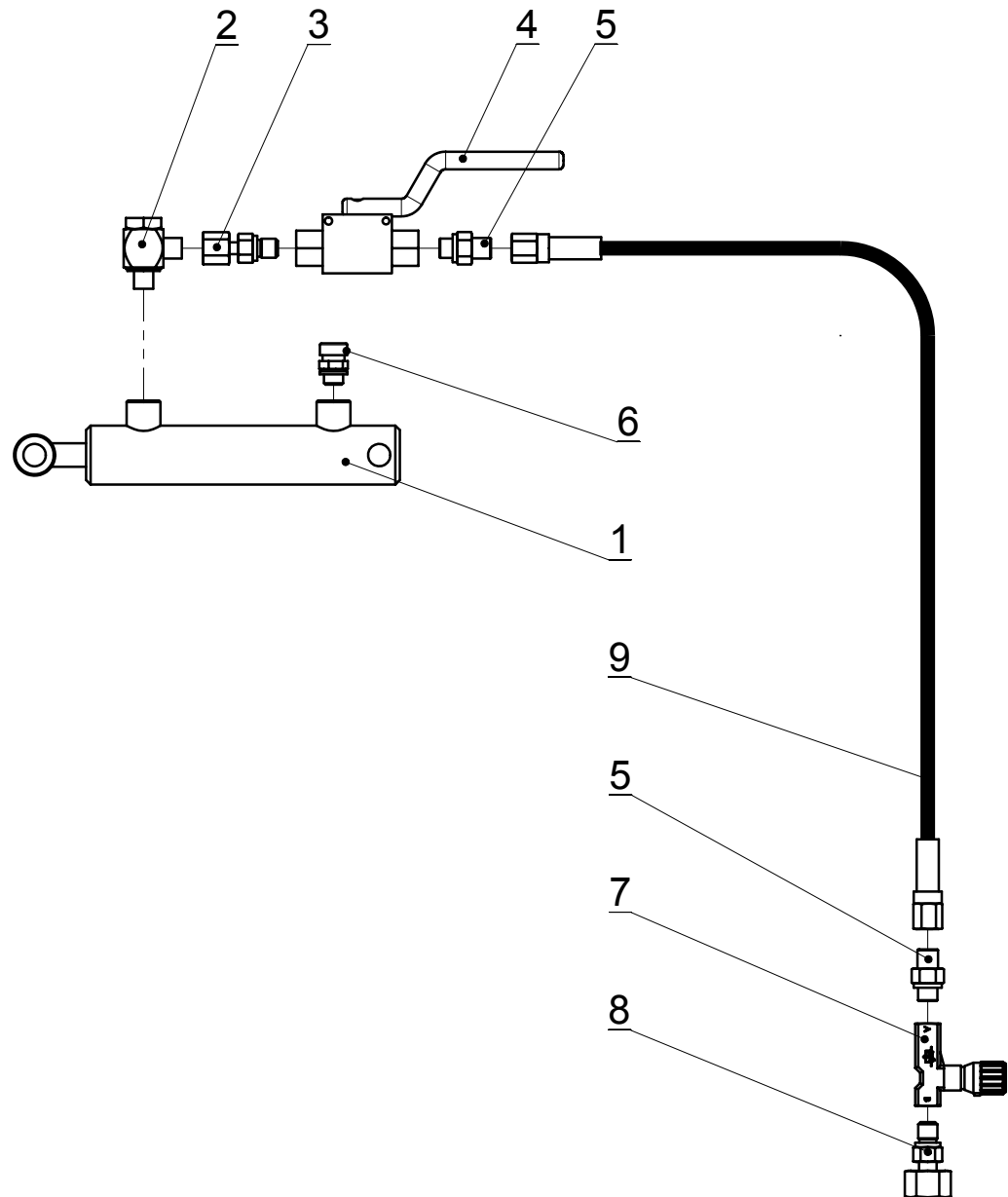


Hydraulic extension kit

Reference: SEM05-20-003

					Weight: 4.20 Kg
Seep	Reference	Description	Qty.	Weight	Comments
1	CHFC012	Female valve coupler 1/2" gas	2	0.27	
2	AT12S012R	Rotating adaptor DIN 12S - 1/2" Gas	2	0.16	
3	UEC12S	Compartment double union fitting DIN 12S	2	0.15	
4	TM1521J	Male plug for female coupler CHFC012 yellow	2	0.01	
5	UM12S012R	Male union fitting 1/2" gas - DIN12S	2	0.09	
6	CHMC012	Male valve coupler 1/2" gas	2	0.11	
7	TF1521J	Female plug for male coupler CHMC012 yellow	2	0.02	
8	2T-08000-12S12S	Flexible coupling 8m DIN12S - DIN12S	1	1.06	
9	2T-08000-12S12S	Flexible coupling 8m DIN12S - DIN12S	1	1.07	

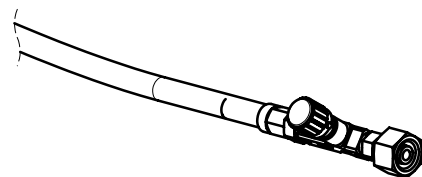
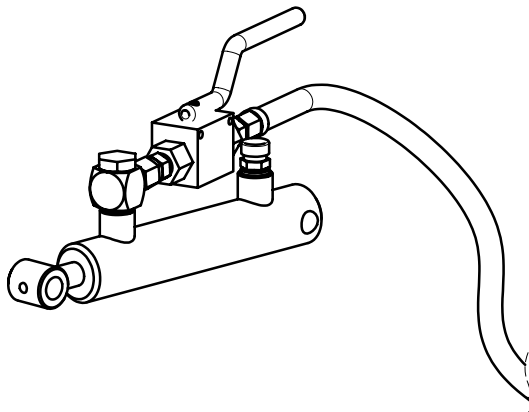


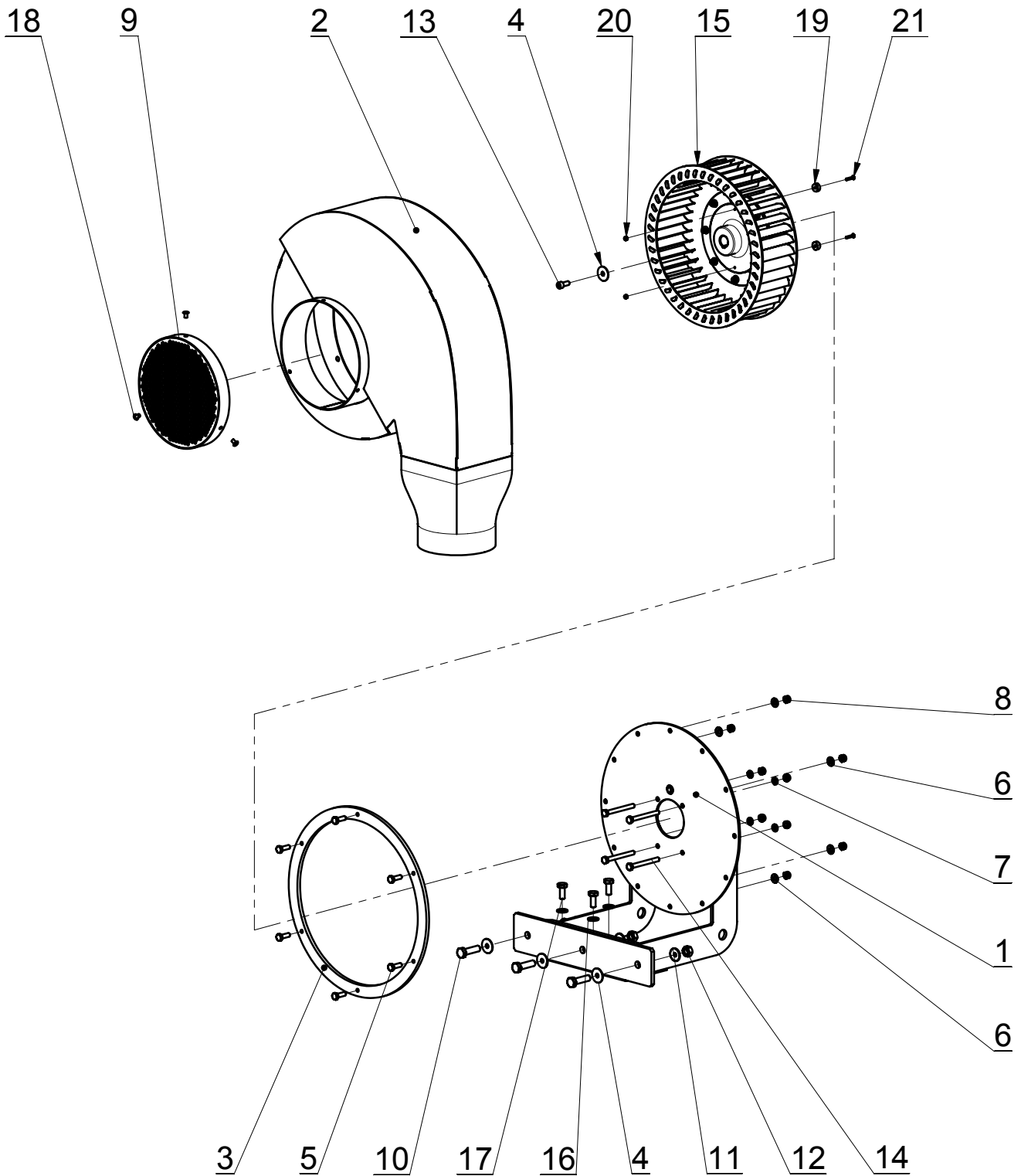


Land wheel hydraulic kit

Reference: SEM05-20-004

					Weight: 3.46 Kg
Seep	Reference	Description	Qty.	Weight	Comments
1	V160320100	Double-acting ram 1/4" gas (stroke 100)	1	1.73	
2	CB08S014R	Banjo union DIN8S 1/4" gas	1	0.19	
3	AT08S014R	Rotating adaptor DIN 8S - 1/4" Gas	1	0.1	
4	RBS2014	2 channels valve	1	0.74	
5	UM8S014R	Male union fitting 1/4" gas - DIN8S	2	0.04	
6	REN014	Breather 1/4" gas	1	0.04	
7	LDU14R	Unidirectional flow control valve 1/4" gas	1	0.19	
8	AT12S014R	Rotating adaptor DIN 12S - 1/4" Gas	1	0.1	
9	2T-01400-08S08S	Flexible coupling 1,40m DIN8S - DIN8S	1	0.21	

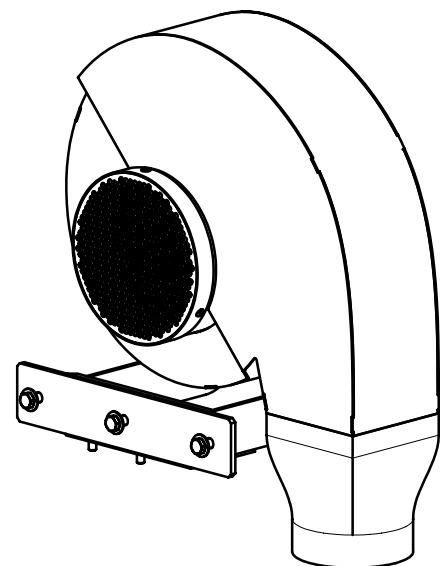


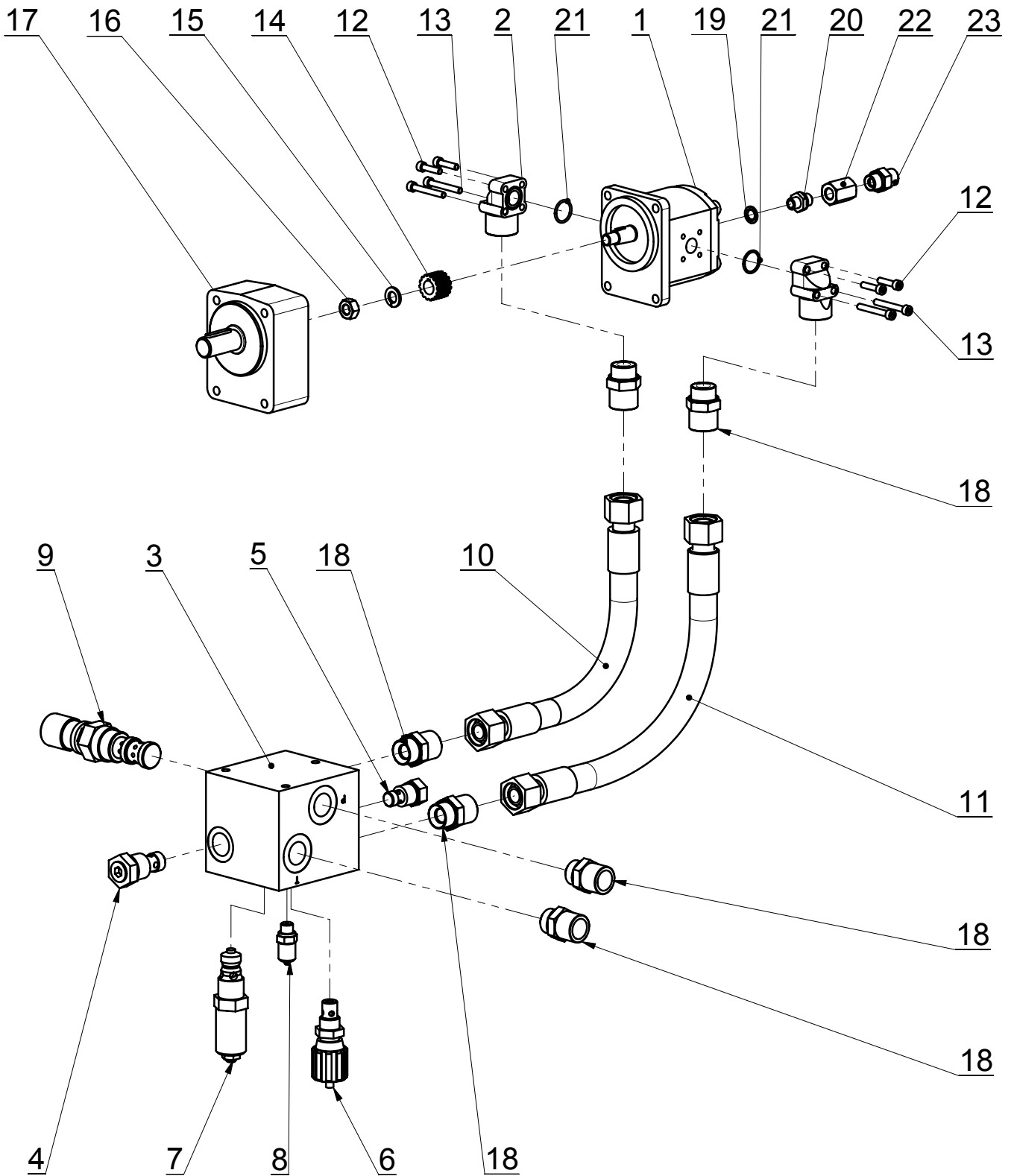


Turbine kit without driving system

Reference : SEM01-29-005

					Weight : 28.90 Kg
Seep	Reference	Description	Qty.	Weight	Comments
1	SEM01-29-506	Blower bracket	1	10.77	
2	SEM01-29-522	turbine soldered casing	1	10.87	
3	SEM01-29-611	Spacer ring	1	1.84	
4	R8LL	Extra large washer Ø8- electro zinc	4	0.01	
5	VH8-025-FT	Screw H - M8 x 25 - 8.8 - bichromated yellow	6	0.016	
6	RDC8	Washer Ø8 - yellow electro zinc	6	0.002	
7	RE8	Washer Ø8 - elastic bichromated yellow	4	0.002	
8	EN8	Nylstop Nut M8 - 8 - bichromated yellow	10	0.006	
9	SEM01-29-504	Filtration grill	1	0.49	
10	VH12-045	Screw H - M12 x 45 - 8.8 - bichromated yellow	3	0.058	
11	RDC12	Washer Ø12 - yellow electro zinc	3	0.007	
12	EH12	Nut H - M12 - 8 - bichromated yellow	3	0.017	
13	VCHC8-020-FT	Screw CHc - M8 x 20 - 8.8 - bichromated yellow	1	0.01	
14	VH8-080	Screw H - M8 x 80 - 8.8 - bichromated yellow	4	0.034	
15	SEM01-29-010	Equipped turbine rotor	1	4.13	
16	R10M	Average washer Ø10 - yellow electro zinc	3	0.00	
17	VH10-025-FT	Screw H - M10 x 25 - 8.8 - bichromated yellow	3	0.028	
18	RA6-10	Flat-head rivet Ø6 x 10	3	0	
19	RDS-624	Magnet Ø16.5 - 4.5 x 7	2	0.01	
20	EN4	Nylstop Nut M4 - 8 - bichromated yellow	2	0.001	
21	VBHC4-020-IFT	Screw BHC - M4 x 20 - 8,8 - stainless steel	2	0.00	

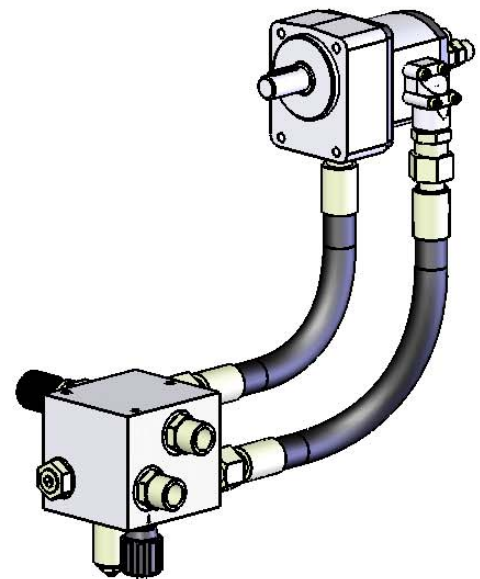


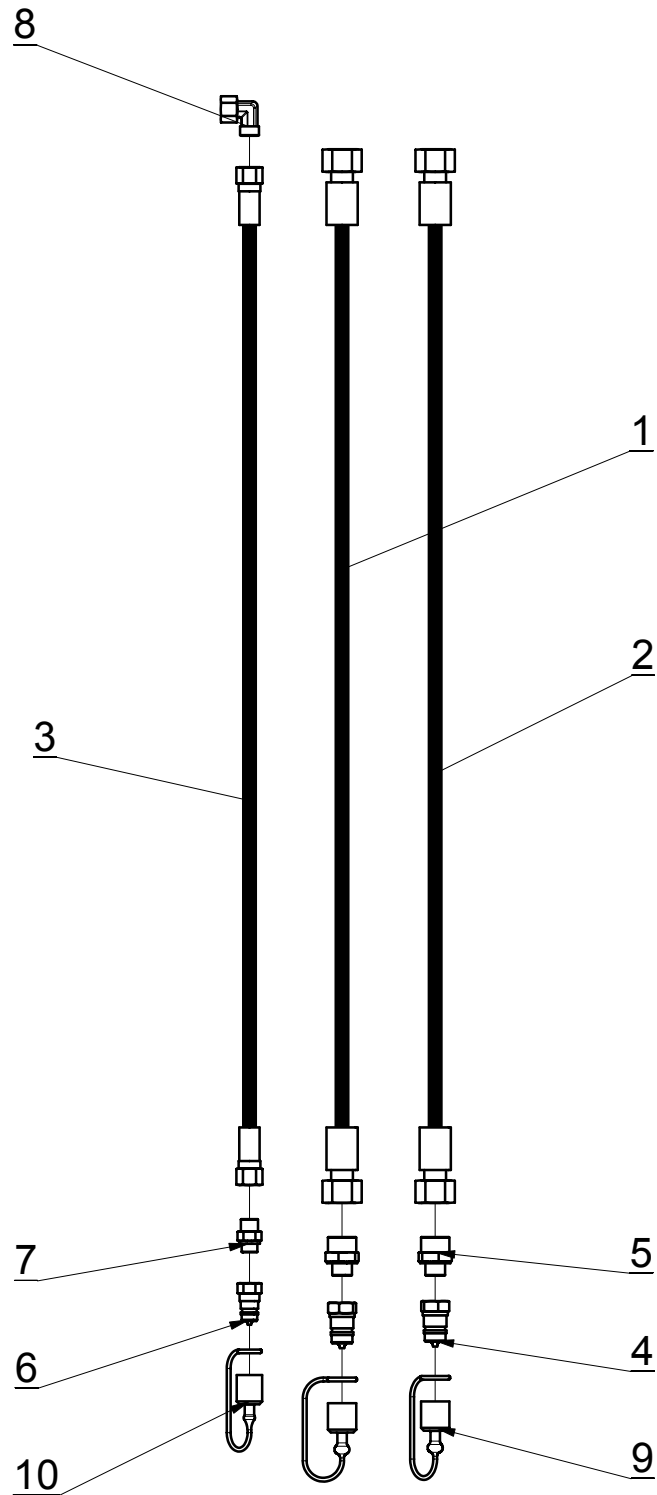


Turbine drive kit 16 cm³

Reference : SEM01-31-006

					Weight : 18.85 Kg
Seep	Reference	Description	Qty.	Weight	Comments
1	0 511 625 602	Hydraulic motor	1	5.55	
2	B3-004	Discharge flange 3/4	2	0.24	
3	B050610	Bored bloc	1	3.27	
4	3 047 039	Non-return valve 0,35 B RV 12A	1	0.23	
5	3 014 052	Non-return valve 0,35 B RV 10A	1	0.12	
6	705 430	Flow control valve DVE10	1	0.42	
7	552 806	Pressure control valve 250B DB12	1	0.56	
8	680107	Pressure plug	1	0.07	
9	820 20 36 19	Application rate setting 3 channels	1	0.93	
10	2T-00400-20S20S	Flexible coupling 0,40 m DIN20S - DIN20S	1	0.13	
11	2T-00460-20S20S	Flexible coupling 0,46 m DIN20S - DIN20S	1	0.16	
12	VCHC6-025-FT	Screw CHc - M6 x 25 - 8.8 - bichromated yellow	4	0.01	
13	VCHC6-045	Screw CHc - M6 x 45 - 8.8 - bichromated yellow	4	0.01	
14	ZBR 10504	Fluted socket	1	0.06	
15	RE12	Washer Ø12 - elastic bichromated yellow	1	0.004	
16	EH12	Nut H - M12 - 8 - bichromated yellow	1	0.017	
17	ZBR 25606	Steady rest bearing	1	4.68	
18	UM20S034R	Male union fitting 3/4" gas - DIN20S	6	0.15	
19	BS12	BS ring Ø12,7	1	0.00	
20	UM6L014R	Male union fitting 1/4" gas - DIN6L	1	0.03	
21	OR3075	O-ring Ø19-2,55	2	0.00	
22	UFF038R014R	Female-female union fitting 3/8" gas 1/4" gas	1	0.07	
23	UM12S038R	Male union fitting 3/8" gas - DIN12S	1	0.06	

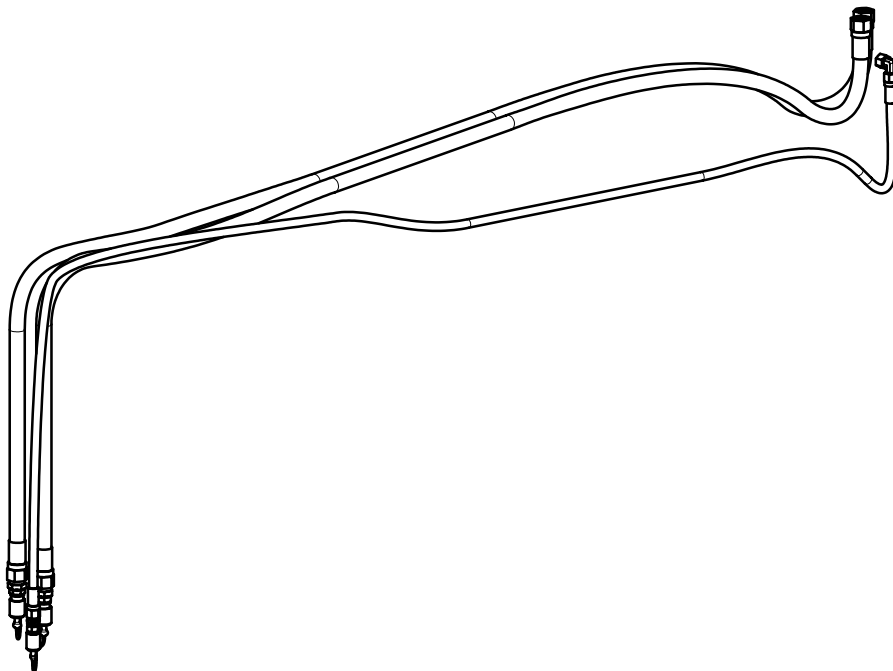


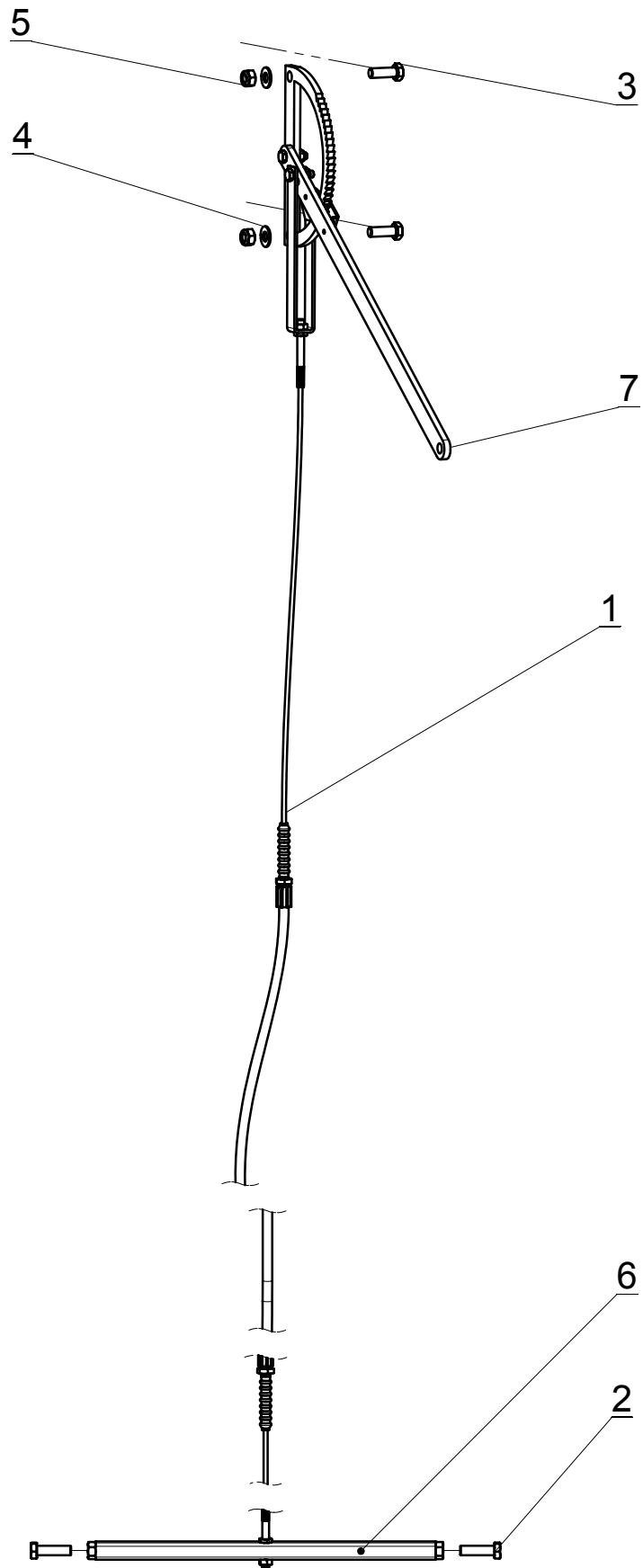


Hydraulic flexible kit for turbine

Reference: SEM05-20-002

					Weight: 5.08 Kg
Seep	Reference	Description	Qty.	Weight	Comments
1	2T-04500-20S20S	Flexible coupling 4,5m DIN20S - DIN20S	1	1.24	
2	2T-04500-20S20S	Flexible coupling 4,5m DIN20S - DIN20S	1	1.29	
3	2T-04500-12S12S	Flexible coupling 4,5m DIN12S - DIN12S	1	0.36	
4	CHMC012	Male valve coupler 1/2" gas	2	0.11	
5	UM20S012R	Male union fitting 1/2" gas - DIN20S	2	0.12	
6	CHMC038	Male valve coupler 3/8" gas	1	0.07	
7	UM12S038R	Male union fitting 3/8" gas - DIN12S	1	0.06	
8	CT12S	Adaptable bend DIN 12S	1	0.11	
9	TF1521R	Female plug for male coupler CHMC012 red	2	0.02	
10	TF1217R	Female plug for male coupler CHMC012 red	1	0.02	



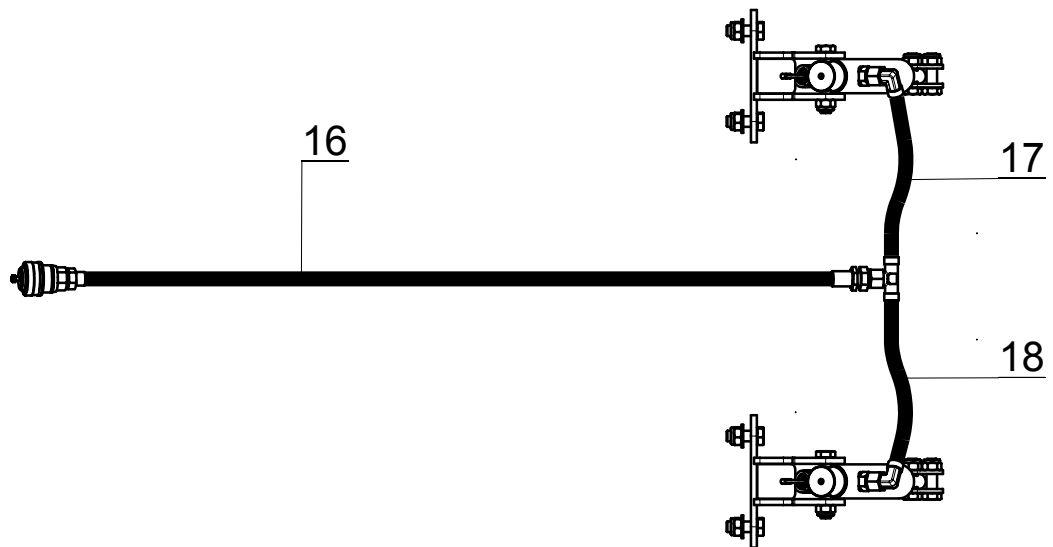
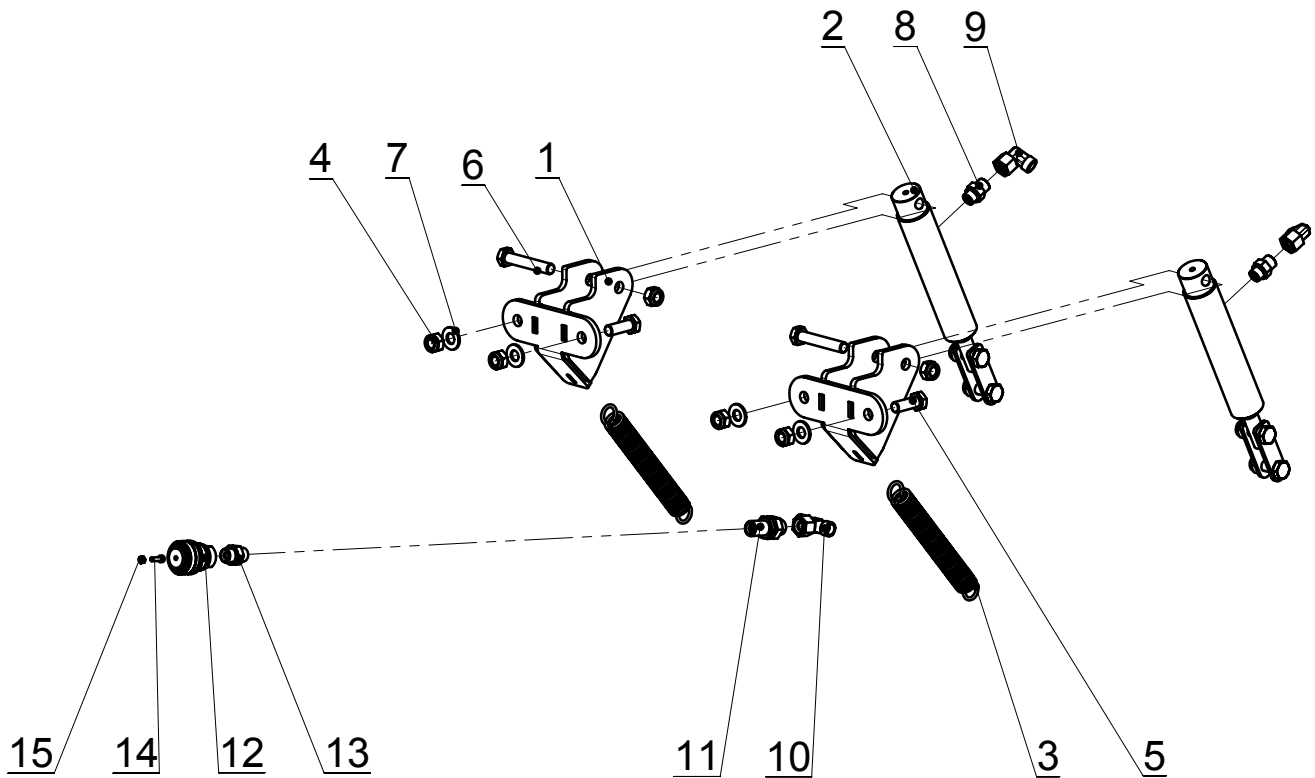


Parking brake kit

Reference: SEM05-17-003

					Weight: 6.67 Kg
Seep	Reference	Description	Qty.	Weight	Comments
1	SEM05-17-010	Parking brake cable kit	1	1.82	
2	VH14-050	Screw H - M14 x 50 - 8.8 - bichromated yellow	2	0.089	
3	VH14-040-FT	Screw H - M14 x 40 - 8.8 - bichromated yellow	2	0.077	
4	R14M	Average washer Ø14 - yellow electro zinc	2	0.01	
5	EN14	Nylstop Nut M14 - 8 - bichromated yellow	2	0.031	
6	SEM05-17-503	Brake equaliser shaft	1	1.03	
7	FAM_N3	Hand brake type 3	1	3.41	

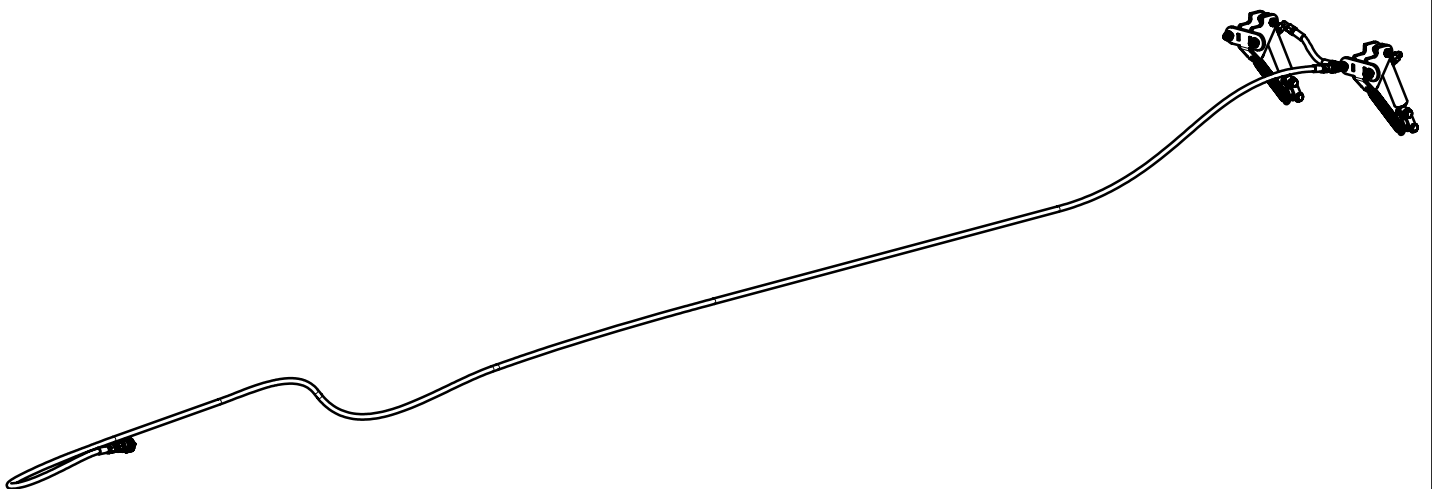


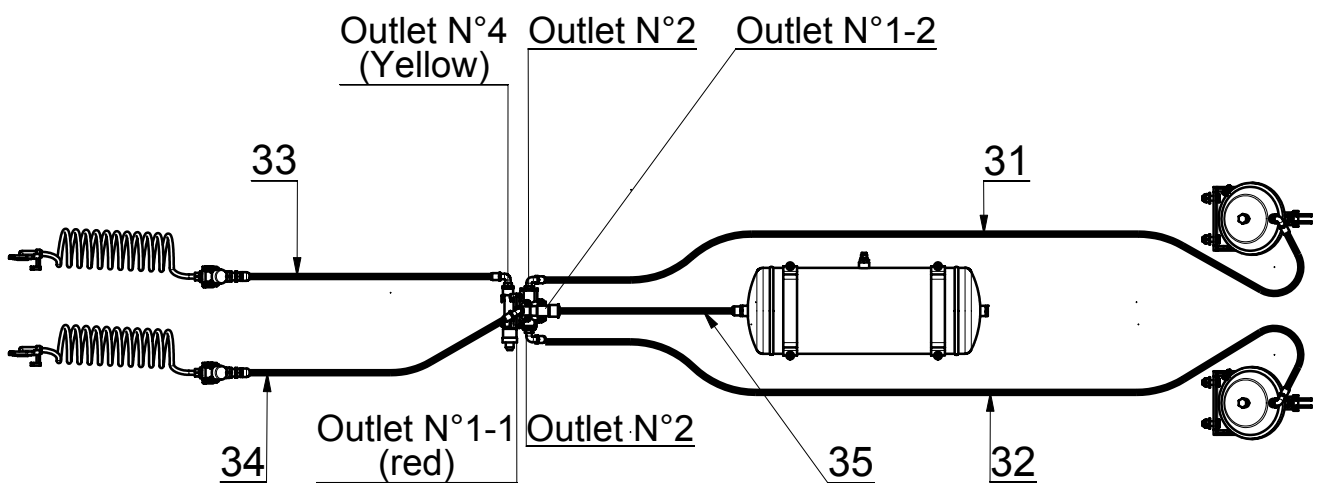
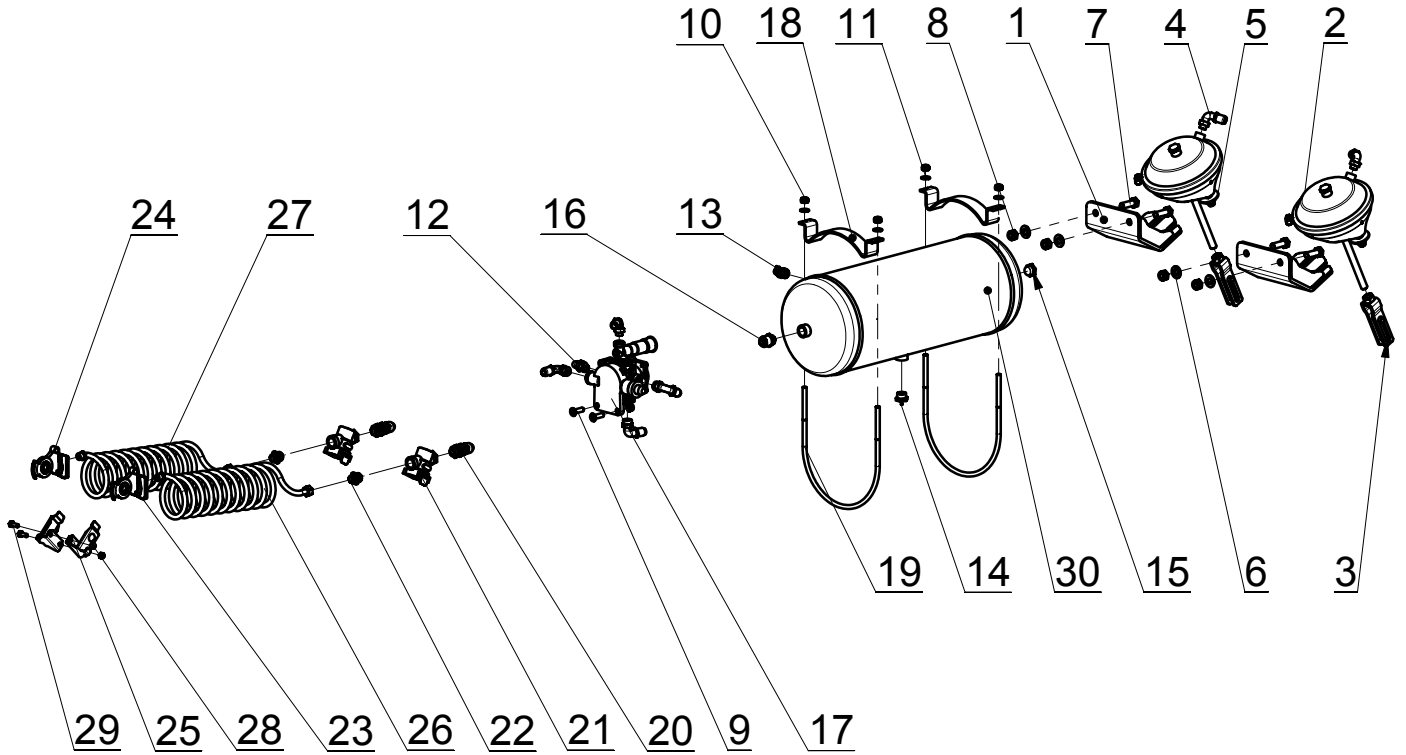


Hydraulic brake kit

Reference: SEM05-17-001

					Weight: 14.74 Kg
Seep	Reference	Description	Qty.	Weight	Comments
1	SEM05-17-502	Braking hydraulic jack bot	2	2.04	
2	V000300110	Single-acting ram 3/8" gas Ø30x110	2	3.14	
3	3492007000	Release spring - torus Ø2	2	0.38	
4	EN14	Nylstop Nut M14 - 8 - bichromated yellow	6	0.031	
5	VH14-040-FT	Screw H - M14 x 40 - 8.8 - bichromated yellow	4	0.077	
6	VH14-080	Screw H - M14 x 80 - 8.8 - bichromated yellow	2	0.125	
7	R14M	Average washer Ø14 - yellow electro zinc	4	0.01	
8	UM12S038R	Male union fitting 3/8" gas - DIN12S	2	0.06	
9	CT12S	Adaptable bend DIN 12S	2	0.11	
10	TO12S	Swivelling T DIN 12S	1	0.13	
11	UEC12S	Compartment double union fitting DIN 12S	1	0.15	
12	VF8R	trailer braking system coupling	1	0.40	
13	UM12S1815R	Male union fitting 1/2" gas - M8.150	1	0.07	
14	VCHC5-016-FT	Screw CHc - M5 x 16 - 8.8 - bichromated yellow	1	0.00	
15	EH5	Nut H - M5 - 8 - bichromated yellow	1	0.001	
16	2T-08000-12S12S	Flexible coupling 8m DIN12S - DIN12S	1	0.98	
17	2T-00250-12S12S	Flexible coupling 0,25m DIN12S - DIN12S	1	0.03	
18	2T-00250-12S12S	Flexible coupling 0,25m DIN12S - DIN12S	1	0.03	

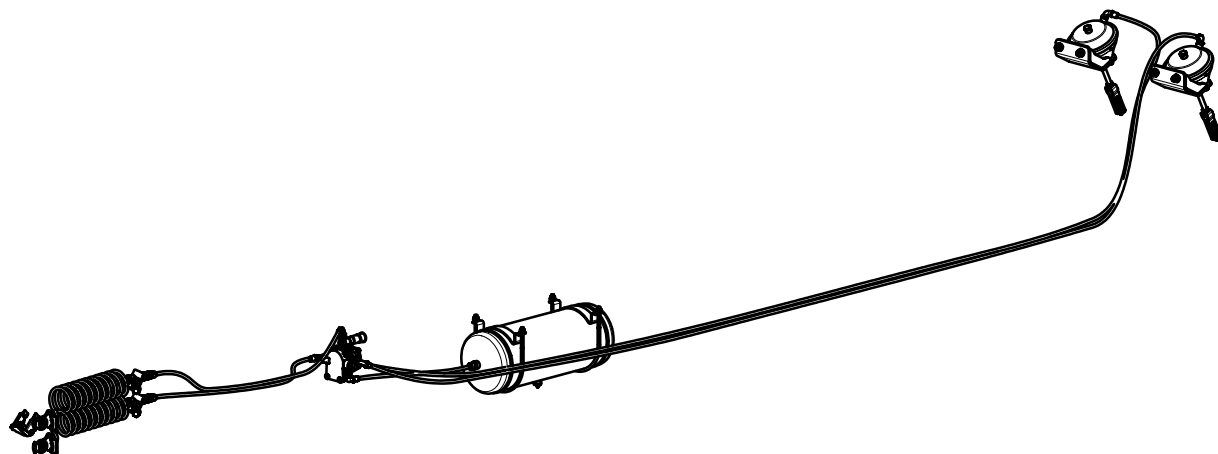




Pneumatic brake kit

Reference: SEM05-17-002

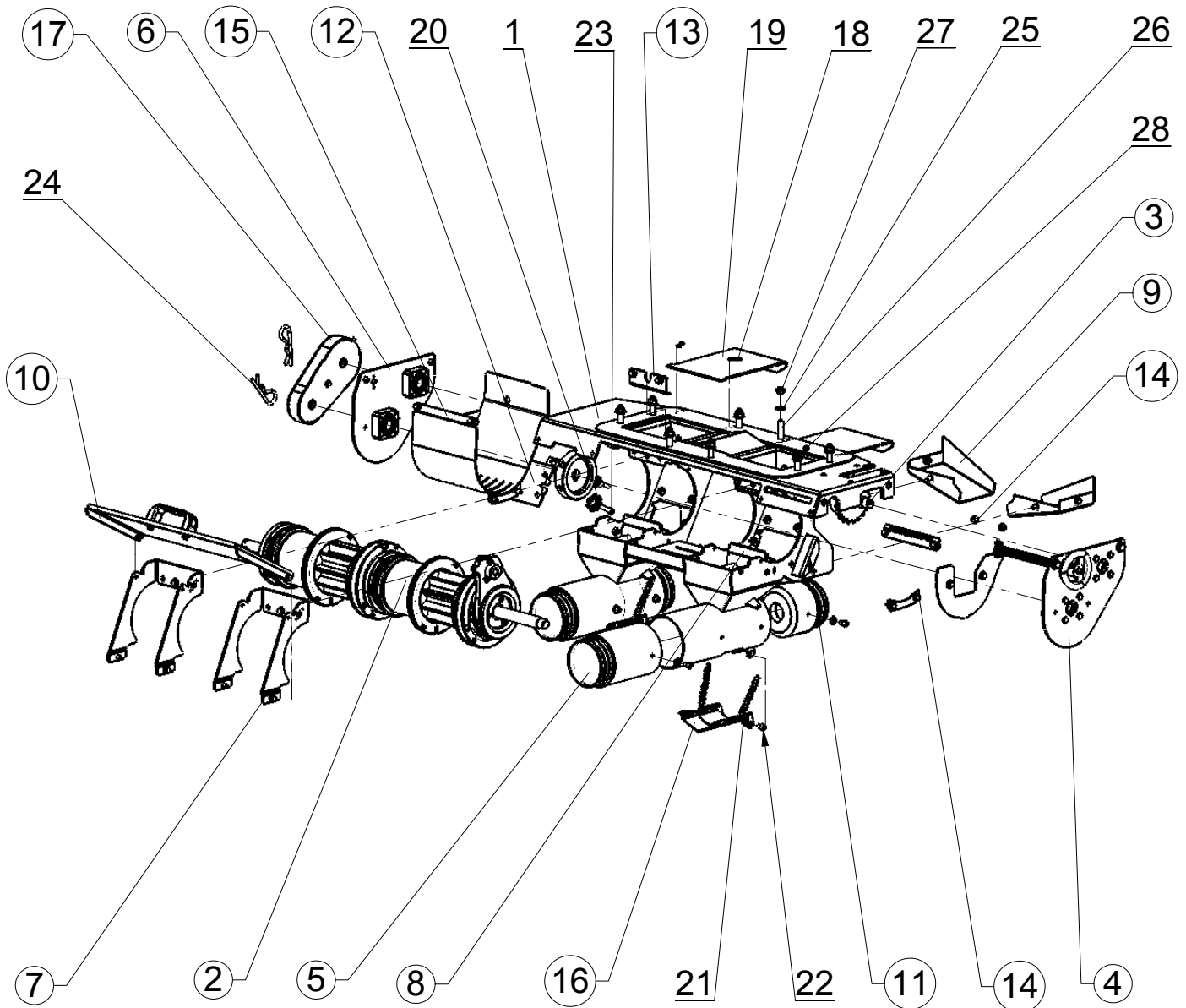
					Weight: 34.55 Kg
Seep	Reference	Description	Qty.	Weight	Comments
1	SEM05-17-501	Brake chamber's bot	2	3.36	
2	4231079000	Brake chamber T30	2	3.20	
3	4239025362	Fixing brake chamber's kit T9	2	0.39	
4	893831270	Male elbow bulkhead coupling M16 - pipe 9/12	3	0.05	
5	R16LL	Extra large washer Ø16- electro zinc	4	0.04	
6	R14M	Average washer Ø14 - yellow electro zinc	4	0.01	
7	VH14-040-FT	Screw H - M14 x 40 - 8.8 - bichromated yellow	4	0.077	
8	EN14	Nylstop Nut M14 - 8 - bichromated yellow	4	0.031	
9	VFHC10-035-109	Screw FHc - M10 x 35 - 10.9 - bichromated yellow	2	0.03	
10	EN10	Nylstop Nut M10 - 8 - bichromated yellow	6	0.014	
11	R10M	Average washer Ø10 - yellow electro zinc	4	0.00	
12	893831280	Male elbow bulkhead coupling M12 - pipe 9/12	4	0.05	
13	4637031150	Test coupling - M22x150	1	0.08	
14	9343000010	Drain valve	1	0.05	
15	8930220094	Plug - washer M22	1	0.06	
16	8938034400	Straight male stud coupling M22 - pipe 9/12	1	0.11	
17	9710025310	Relay emergency valve	1	1.73	
18	9506003514	Reservoir mounting brackets Ø250mm	2	0.44	
19	9506003504	Reservoir mounting brackets Ø250mm	2	0.44	
20	8938216800	Straight bulkhead coupling M22 - Pipe 9/12	2	0.18	
21	4325000200	Air line filter - M22	2	0.91	
22	8931022544	Adaptator for coiled tubing M18/M22	2	0.05	
23	9522000210	Red hose coupling	1	0.45	
24	9522000220	Yellow hose coupling	1	0.45	
25	4524020000	Miscoupling	2	0.13	
26	4527110140	Red coiled tubing	1	0.48	
27	4527110150	Yellow coiled tubing	1	0.48	
28	EN8	Nylstop Nut M8 - 8 - bichromated yellow	2	0.006	
29	VH8-020-FT	Screw H - M8 x 20 - 8.8 - bichromated yellow	2	0.014	
30	9506300060	Tank 30L Ø250 - 4 x M22	1	10.50	
31	TUP-9-12	Black polyamide pipe 9/12 - Lg = 5300mm	1	0.29	
32	TUP-9-12	Black polyamide pipe 9/12 - Lg = 5200mm	1	0.30	
33	TUP-9-12	Black polyamide pipe 9/12 - Lg = 1200mm	1	0.06	
34	TUP-9-12	Black polyamide pipe 9/12 - Lg = 1200mm	1	0.07	
35	TUP-9-12	Black polyamide pipe 9/12 - Lg = 700mm	1	0.04	



10. DISTRIBUTION SPARE PARTS



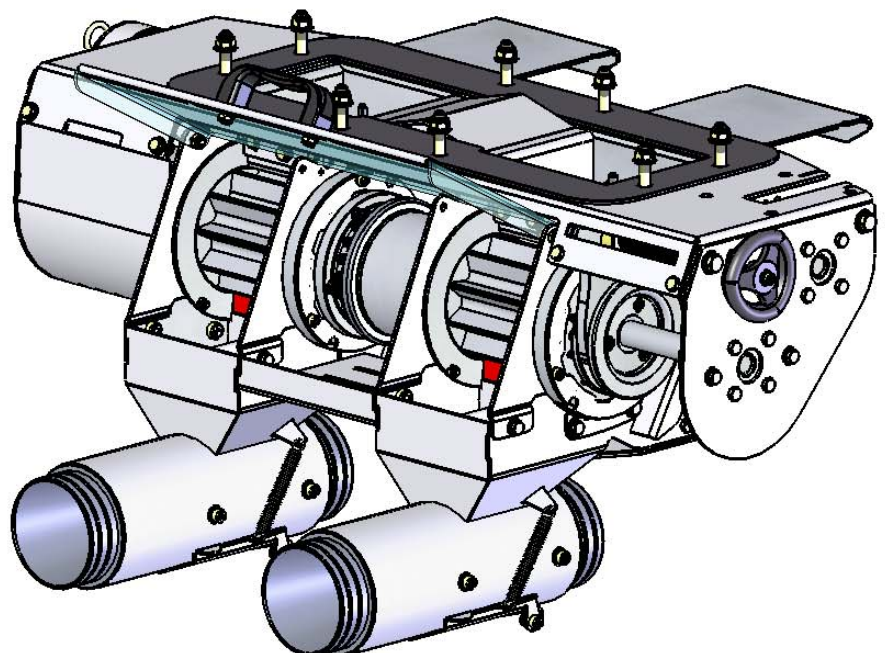
VOLUMETRIC DISTRIBUTION

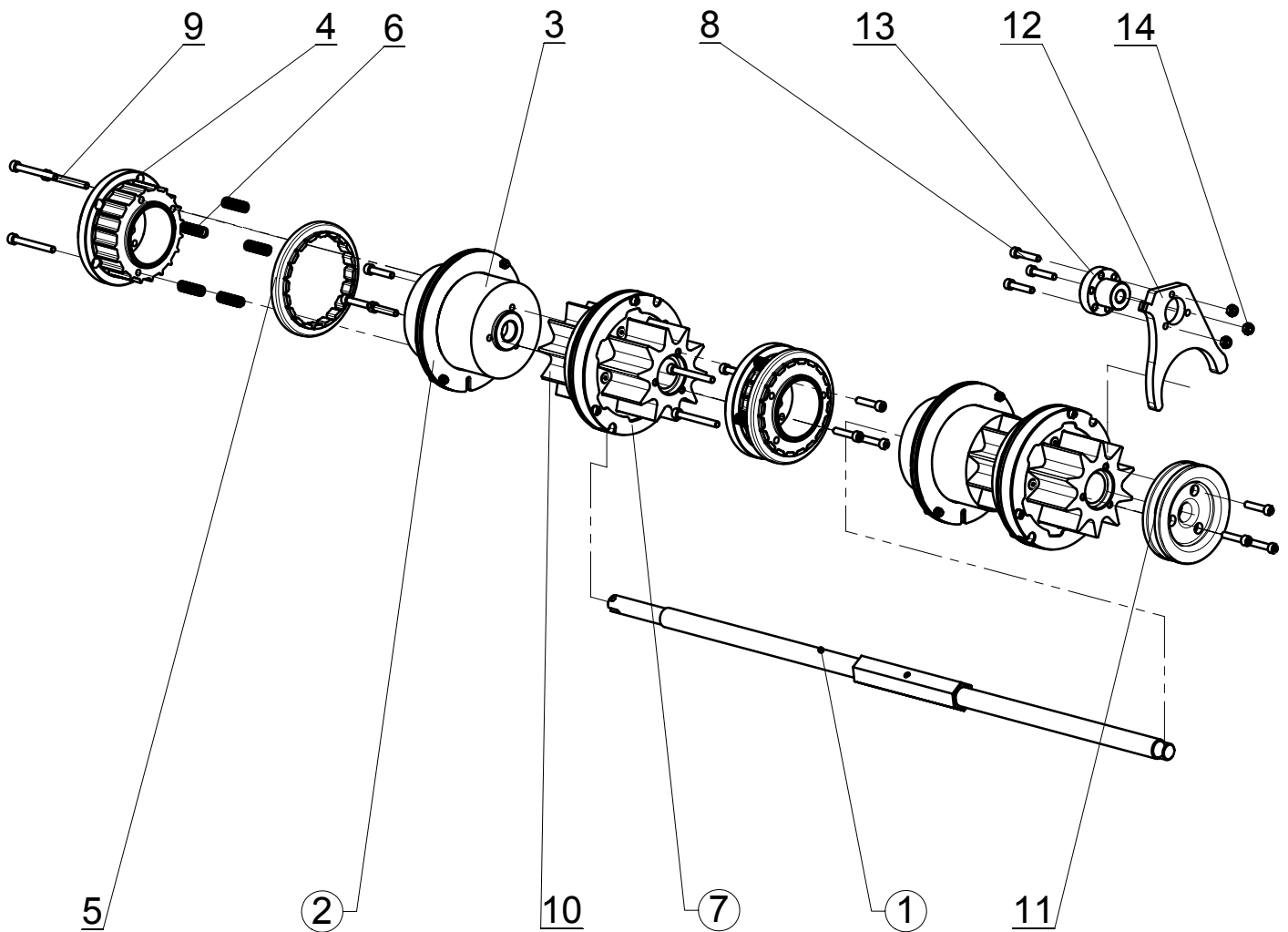


Distribution - Ø90

Reference : SEM01-26-010

					Weight : 37.77 Kg
Seep	Reference	Description	Qty.	Weight	Comments
1	SEM01-26-520	Distribution main part - Ø90	1	11.69	
2	SEM01-27-001	Fluted feed drill section kit	1	7.56	
3	SEM01-27-005	Stirrer kit	1	2.76	
4	SEM01-27-030	Fluted feed drill section command kit	1	1.29	
5	SEM01-26-014	Venturi nozzle kit - Ø90	2	1.06	
6	SEM01-27-031	Fluted feed drill section rotation guide kit	1	1.04	
7	SEM01-26-002	Fluted feed drill section closure kit	2	0.49	
8	SEM01-27-035	Sealed flap kit	2	0.00	
9	SEM01-26-003	Spout kit	1	0.58	
10	SEM01-21-015	Distribution casing kit	1	2.07	
11	SEM01-26-007	Emptying trap kit	1	0.25	
12	SEM01-26-007	Emptying trap kit	1	0.00	
13	SEM01-26-005	Sealing selector kit	2	0.08	
14	SEM01-21-020	Righthand fluted feed drill casing kit	1	1.00	
15	SEM01-21-021	Lefthand fluted feed drill casing kit	1	1.03	
16	SEM01-26-016	Dosing trap kit - Ø90	2	0.21	
17	SEM01-27-025	Box r=12/17	1	1.46	
18	SEM01-25-601	Blocking trap spring	4	0.0008	
19	SEM01-26-630	Hopper blocker draw	2	0.53	
20	PESR6	Star handle for rapid tightening M6	2	0.04	
21	EN6	Nylstop Nut M6 - 8 - bichromated yellow	6	0.003	
22	VCHC6-010-FT	Screw CHc - M6 x 10 - 8.8 - bichromated yellow	4	0.01	
23	VCHC6-045-FT	Screw CHc - M6 x 45 - 8.8 - bichromated yellow	2	0.01	
24	GB	Beta clips - Ø4x12-22	2	0.02	
25	RDC8	Washer Ø8 - yellow electro zinc	16	0.002	
26	VH8-045	Screw H - M8 x 45 - 8.8 - bichromated yellow	8	0.022	
27	EN8	Nylstop Nut M8 - 8 - bichromated yellow	8	0.006	
28	SEM01-26-700	Sealed joint of distribution	1	0.18	

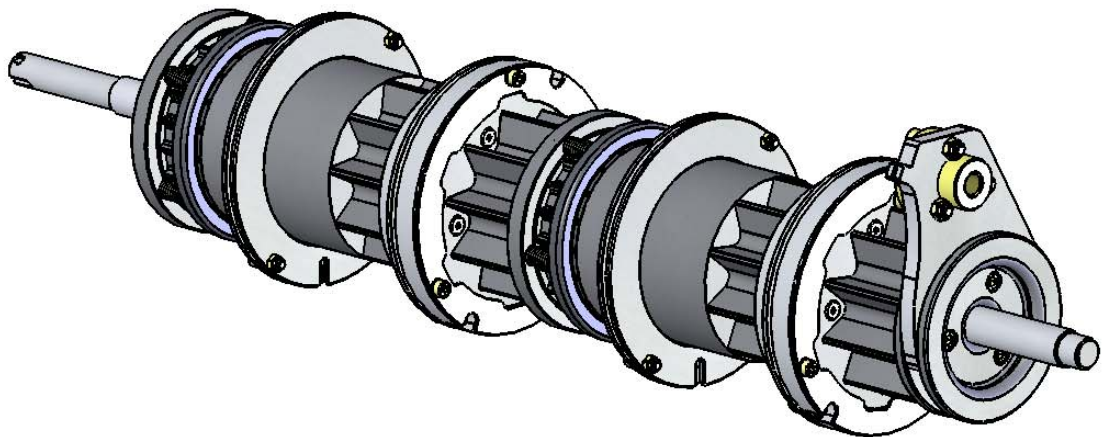


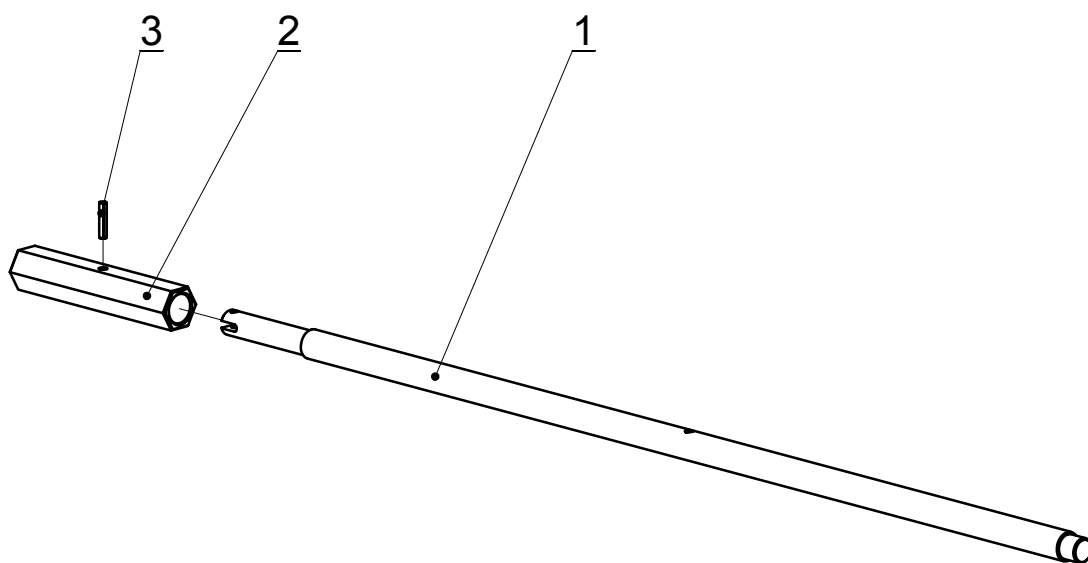


Fluted feed drill section kit

Reference : SEM01-27-001

					Weight : 7.54 Kg
Seep	Reference	Description	Qty.	Weight	Comments
1	SEM01-27-002	Drive shaft kit	1	2.26	
2	SEM01-27-010	Small sluted feed drill sealing kit	2	0.14	
3	SEM01-27-612	Dosing cylinder	2	0.49	
4	SEM01-27-611	Small fluted feed drill	2	0.27	
5	SEM01-27-615	Sealing ring for small fluted feed drill	2	0.04	
6	SEM01-25-606	Compression spring $\varnothing 0,8 - \varnothing 10 - 40$	10	0.002	
7	SEM01-27-015	Large fluted feed drill sealing kit	2	0.69	
8	VCHC6-030-FT	Screw CHc - M6 x 30 - 8.8 - bichromated yellow	15	0.01	
9	VCHC6-055	Screw CHc - M6 x 55 - 8.8 - bichromated yellow	6	0.02	
10	SEM01-27-610	Large fluted feed drills	2	0.63	
11	SEM01-27-613	Fluted feed drill section bobbin	1	0.15	
12	SEM01-27-620	Fluted feed drill section command fork	1	0.15	
13	WFRM-2835TR14x4	Nut for wedge-screw M14x4	1	0.23	
14	EN6	Nylstop Nut M6 - 8 - bichromated yellow	3	0.003	

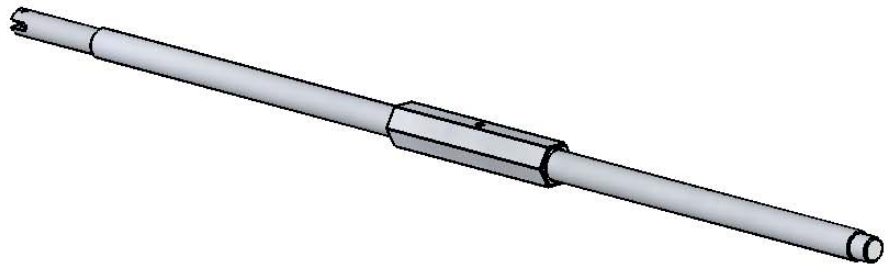


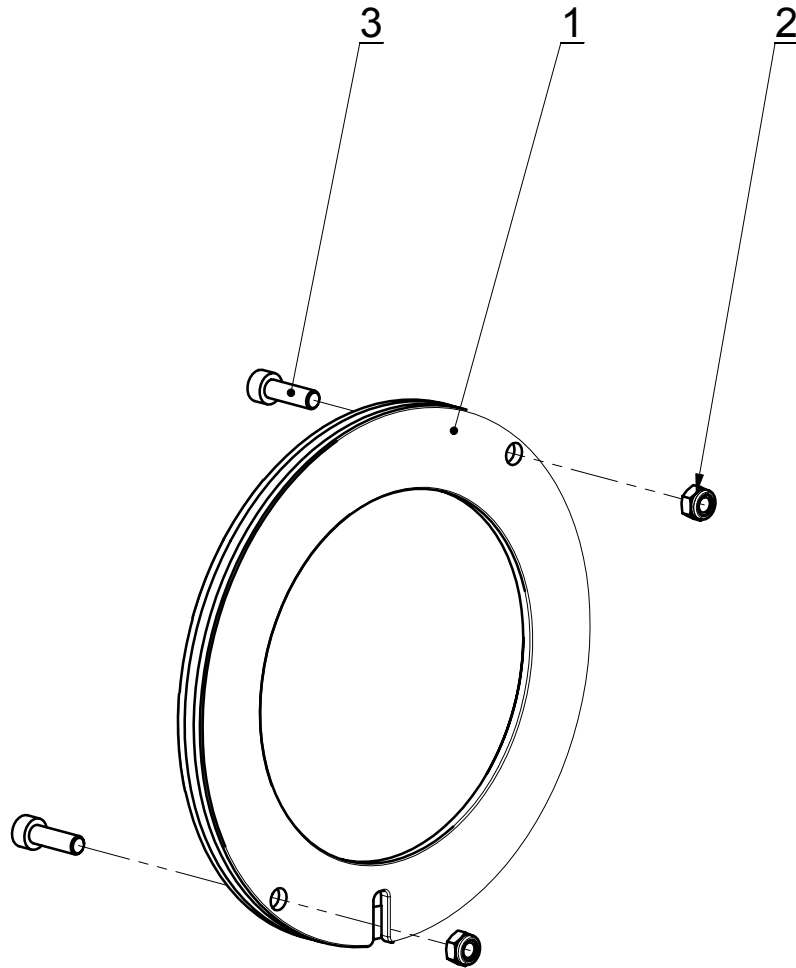


Drive shaft kit

Reference : SEM01-27-002

					Weight : 2.26 Kg
Seep	Reference	Description	Qty.	Weight	Comments
1	SEM01-27-626	Fluted feed drill drive shaft	1	1.89	
2	SEM01-27-627	Fluted feed drill hexagonal drive system	1	0.36	
3	GCC5-24	Fluted cylindric pin Ø5x24	1	0.00	

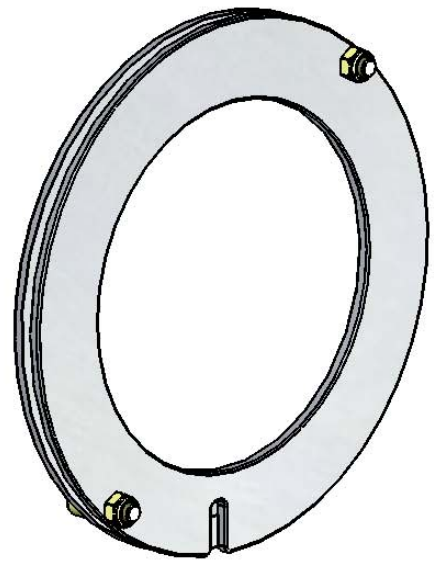


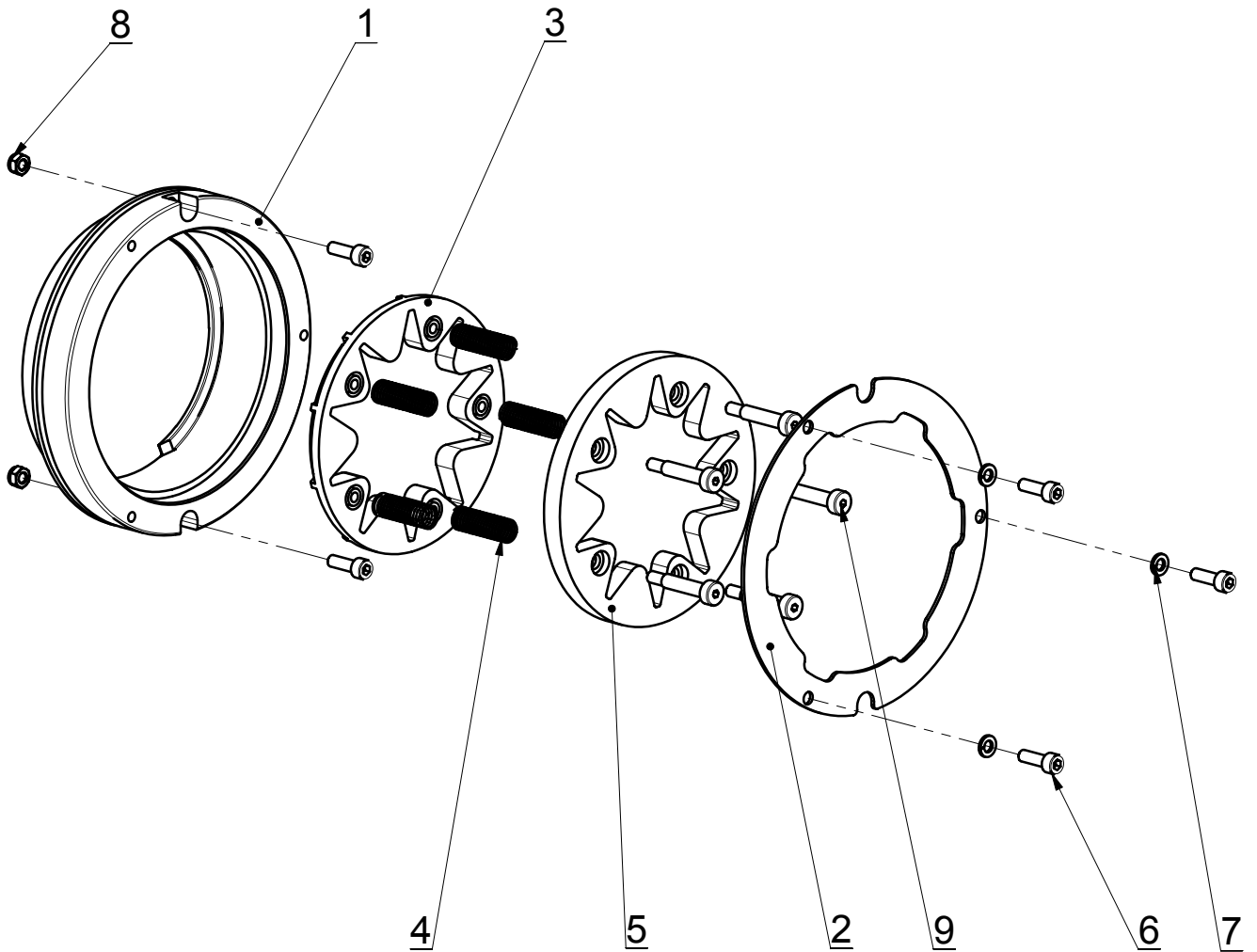


Small sluted feed drill sealing kit

Reference : SEM01-27-010

					Weight : 0.14 Kg
Seep	Reference	Description	Qty.	Weight	Comments
1	SEM01-27-601	Small fluted feed drill sealing seat	1	0.13	
2	EN5	Nylstop Nut M5 - 8 - bichromated yellow	2	0.001	
3	VCHC5-016-FT	Screw CHc - M5 x 16 - 8.8 - bichromated yellow	2	0.00	

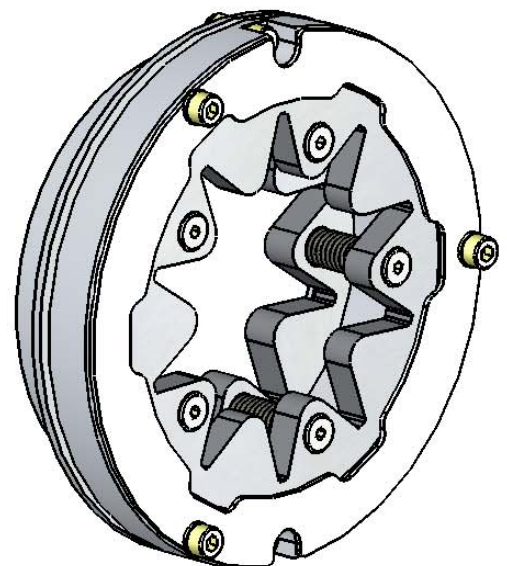


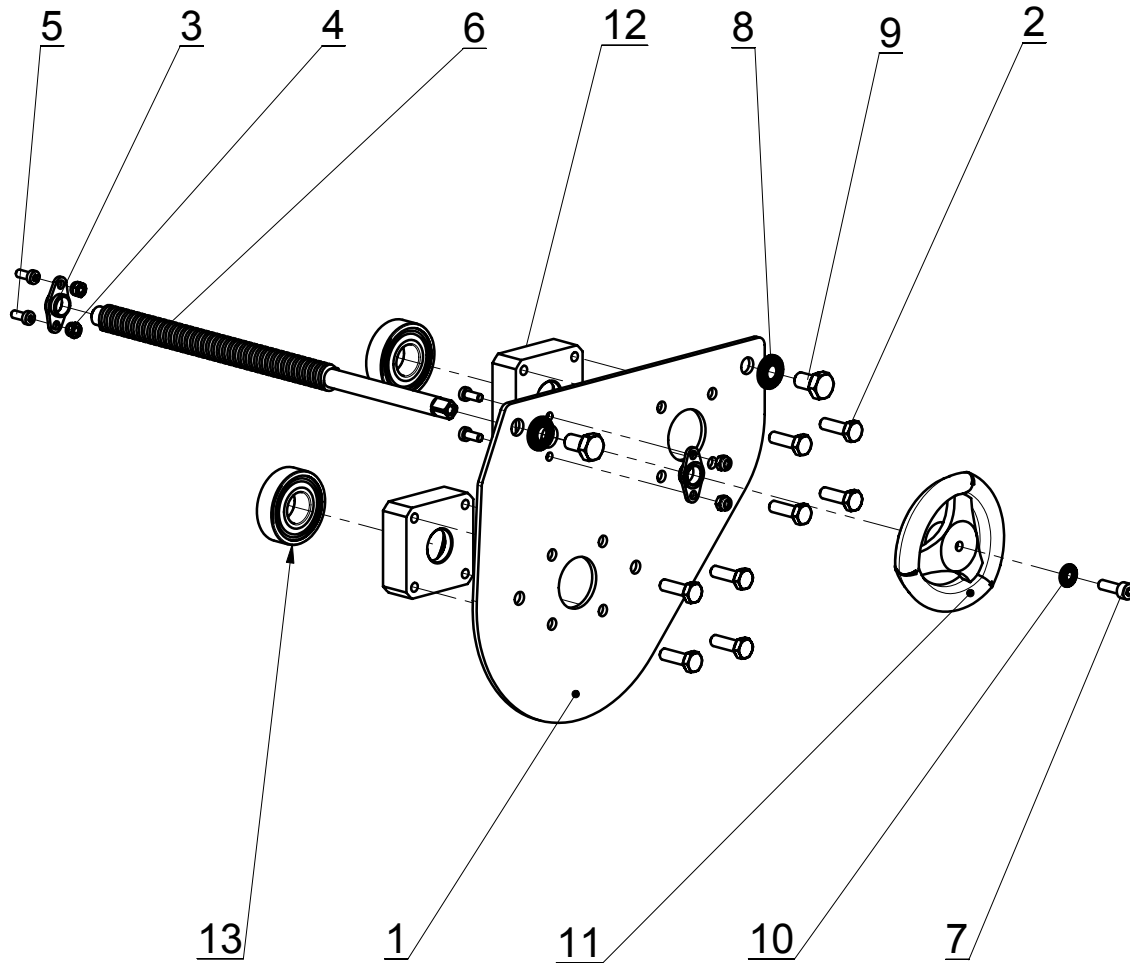


Large fluted feed drill sealing kit

Reference : SEM01-27-015

					Weight : 0.67 Kg
Seep	Reference	Description	Qty.	Weight	Comments
1	SEM01-27-605	Large fluted feed drill sealing seat	1	0.41	
2	SEM01-27-607	Fluted feed drill sealing thrust bearing kit	1	0.08	
3	SEM01-27-606	Sealing ring for large fluted feed drill	1	0.04	
4	SEM01-25-606	Compression spring Ø0,8 - Ø10 - 40	5	0.002	
5	SEM01-27-608	Second sealing ring for large fluted feed drill	1	0.06	
6	VCHC5-016-FT	Screw CHc - M5 x 16 - 8.8 - bichromated yellow	5	0.00	
7	RE5	Washer Ø5 - elastic bichromated yellow	3	0.000	
8	EN5	Nylstop Nut M5 - 8 - bichromated yellow	2	0.001	
9	VCCH5-025	Screw CCHc M5 - Ø6 x 25 - 8.8 - bichromated yellow	5	0.01	

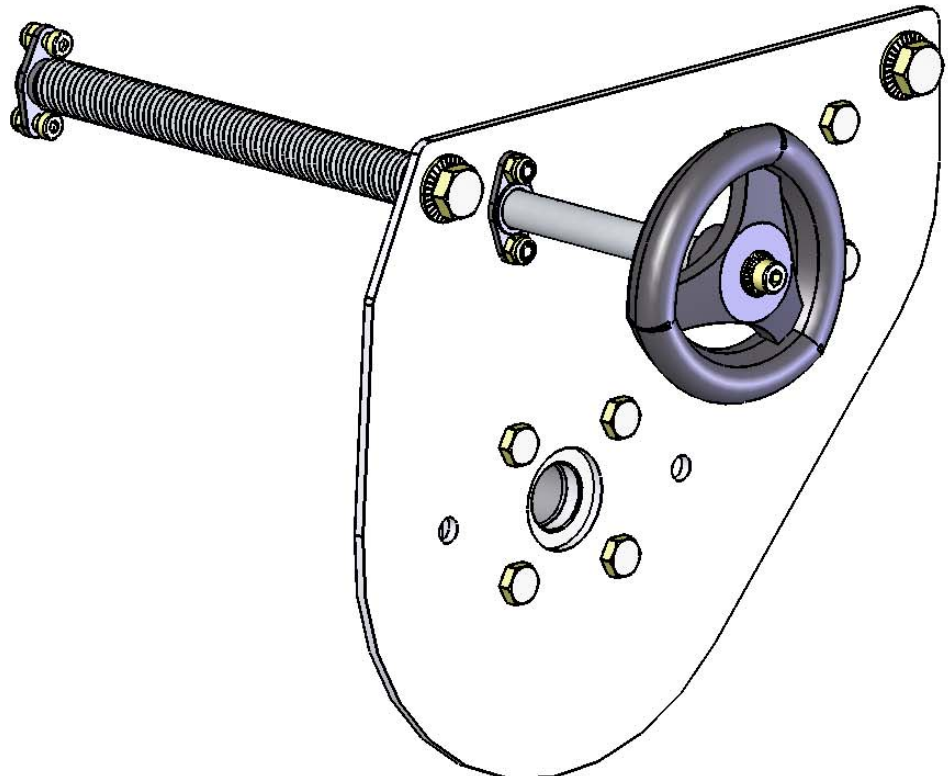


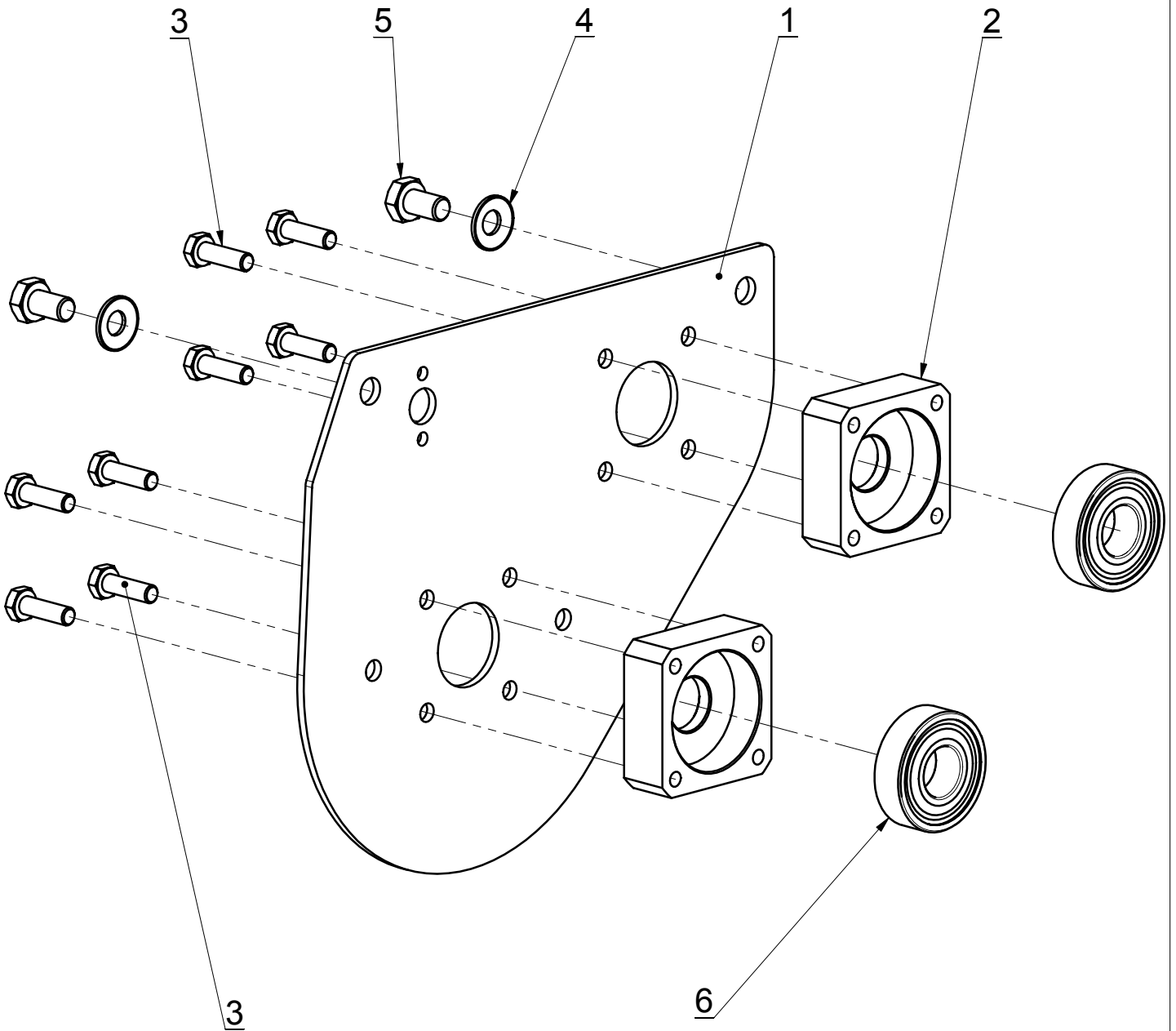


Fluted feed drill section control kit

Reference : SEM05-27-030

					Weight : 1.32 Kg
Seep	Reference	Description	Qty.	Weight	Comments
1	SEM01-26-635	Distribution transmission flank	1	0.69	
2	VH6-020-FT	Screw H - M6 x 20 - 8.8 - bichromated yellow	8	0.007	
3	GFL-10	Ø10 bearing - 2 holes Ø10	2	0.00	
4	EN4	Nylstop Nut M4 - 8 - bichromated yellow	4	0.001	
5	VCRHC4-010	Screw CHc - M4 x 10 - 8.8 - bichromated yellow	4	0.00	
6	SEM05-27-628	Fluted feed drill command shaft	1	0.21	
7	VCHC5-016-FT	Screw CHc - M5 x 16 - 8.8 - bichromated yellow	1	0.00	
8	RDC8	Washer Ø8 - yellow electro zinc	2	0.002	
9	VH8-014-FT	Screw H - M8 x 14 - 8.8 - bichromated yellow	2	0.012	
10	RDC5	Washer Ø5 - yellow electro zinc	1	0.001	
11	VOL8	Hand-wheel	1	0.04	
12	SEM01-27-636	Bearing Ø17	2	0.07	
13	ROUL-516	Roll-on bearing with joints - 6203 2RS1	2	0.06	

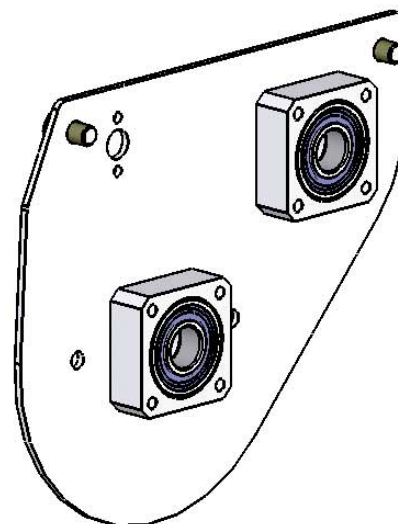


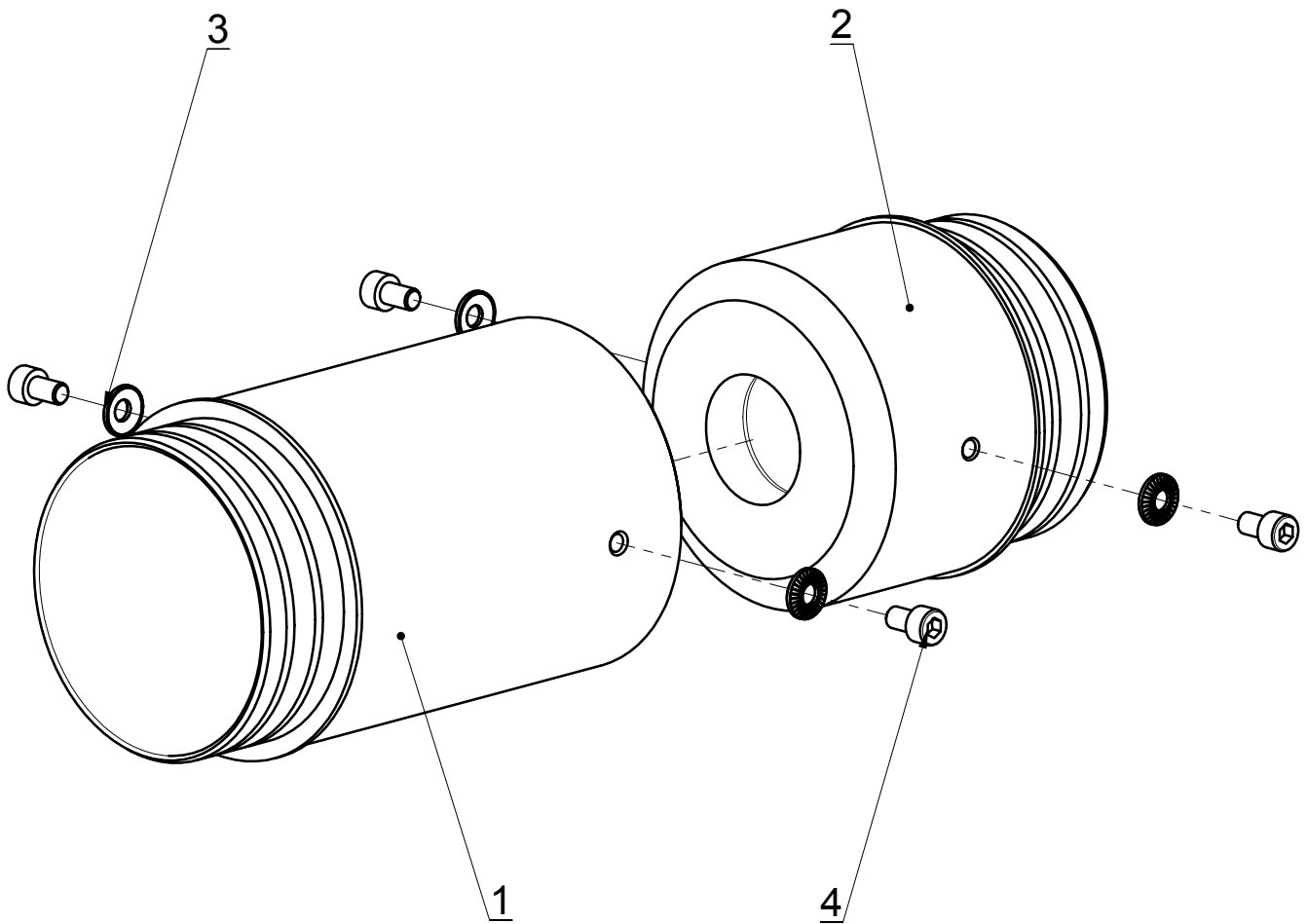


Fluted feed drill section rotation guide kit

Reference : SEM01-27-031

					Weight : 1.04 Kg
Seep	Reference	Description	Qty.	Weight	Comments
1	SEM01-26-635	Distribution transmission flank	1	0.69	
2	SEM01-27-636	Bearing Ø17	2	0.07	
3	VH6-020-FT	Screw H - M6 x 20 - 8.8 - bichromated yellow	8	0.007	
4	RDC8	Washer Ø8 - yellow electro zinc	2	0.002	
5	VH8-014-FT	Screw H - M8 x 14 - 8.8 - bichromated yellow	2	0.012	
6	ROUL-516	Roll-on bearing with joints - 6203 2RS1	2	0.06	

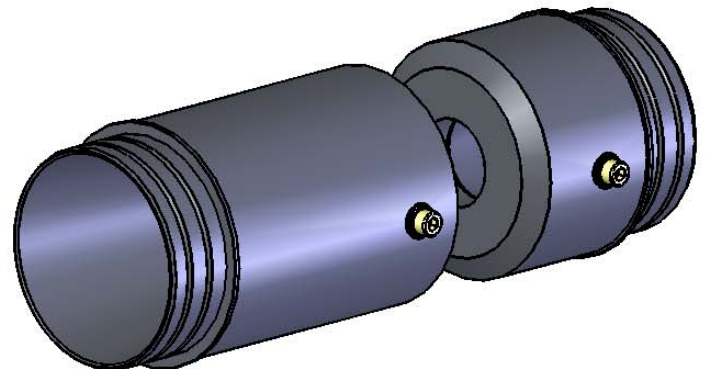


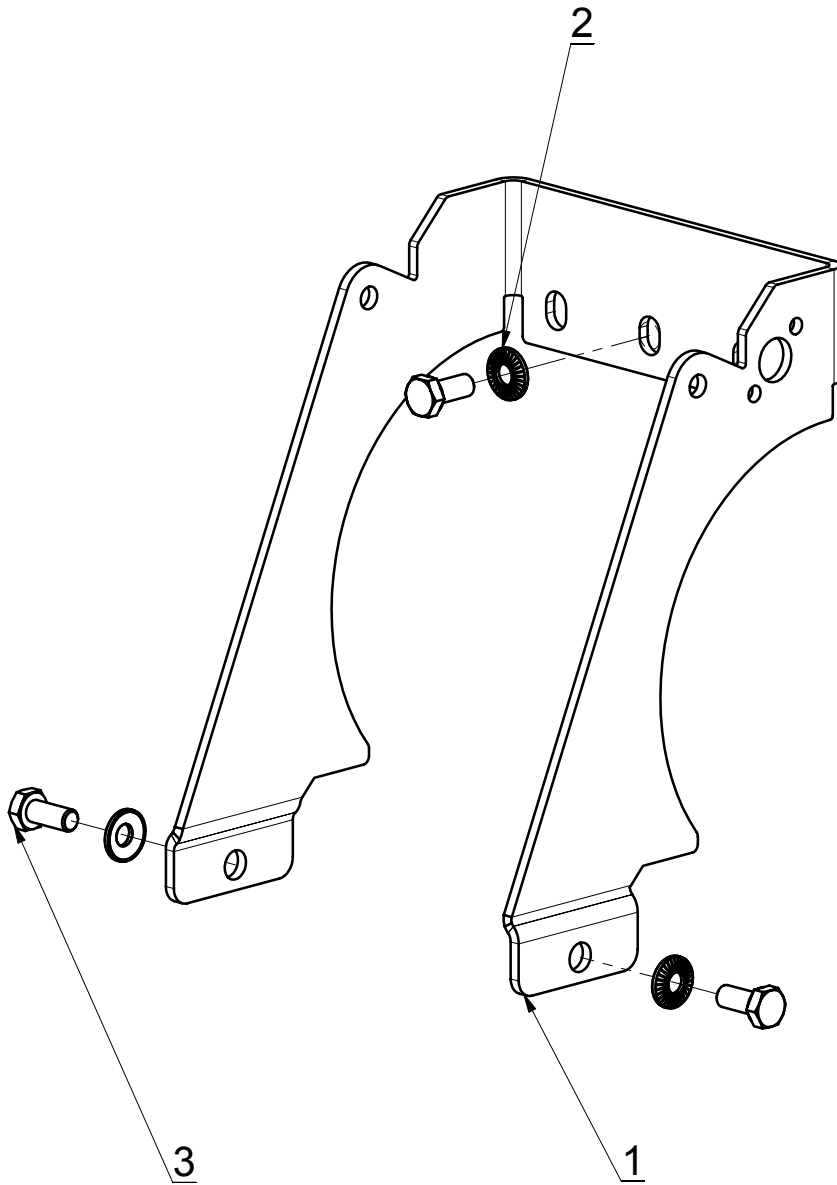


Venturi nozzle kit - Ø90

Reference : SEM01-26-014

					Weight : 1.07 Kg
Seep	Reference	Description	Qty.	Weight	Comments
1	SEM01-26-665	Venturi nozzle exit cone - Ø90	1	0.60	
2	SEM01-26-666	Venturi nozzle entry cone - Ø90	1	0.44	
3	RDC6	Washer Ø6 - yellow electro zinc	4	0.003	
4	VCHC6-010-FT	Screw CHc - M6 x 10 - 8.8 - bichromated yellow	4	0.01	

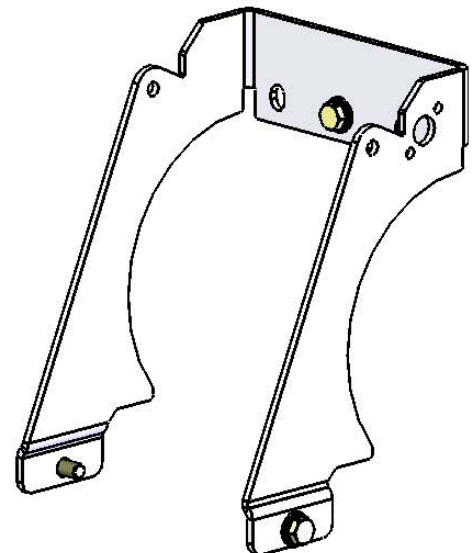


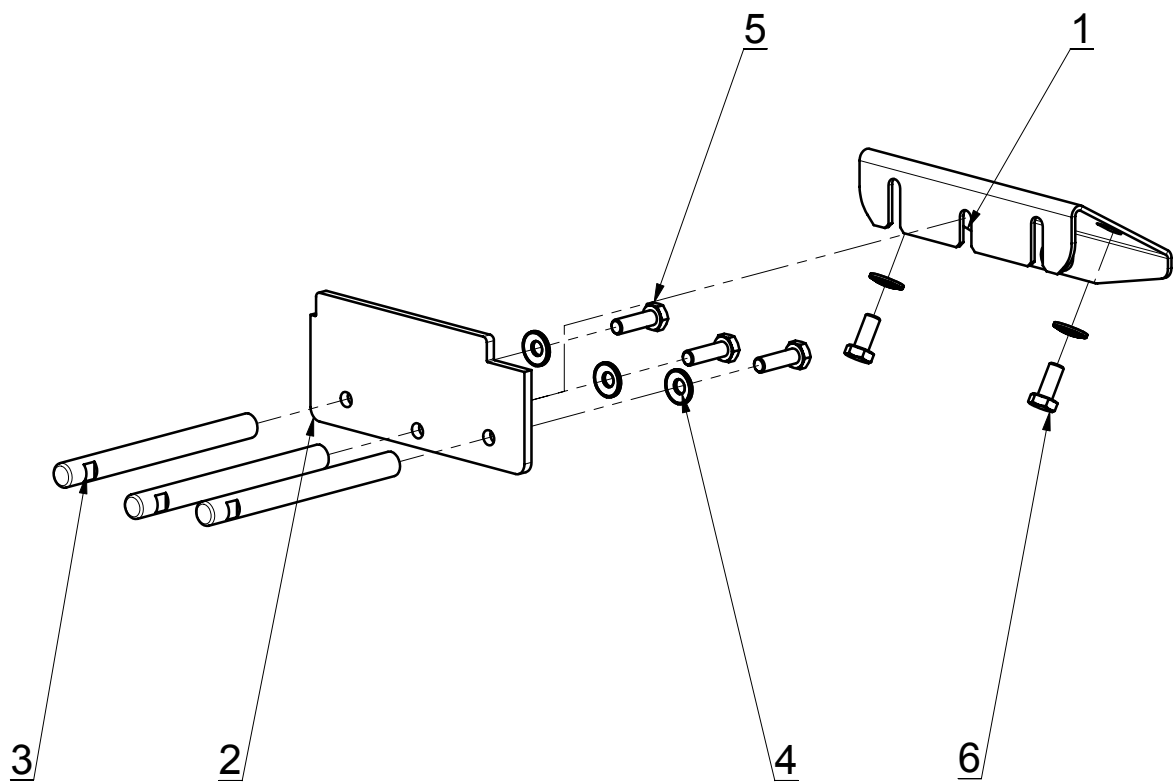


Fluted feed drill section closure kit

Reference : SEM01-26-002

					Weight : 0.50 Kg
Seep	Reference	Description	Qty.	Weight	Comments
1	SEM01-26-625	Fluted feed drill section closure casing	1	0.47	
2	RDC6	Washer Ø6 - yellow electro zinc	3	0.003	
3	VH6-014-FT	Screw H - M6 x 14 - 8.8 - bichromated yellow	3	0.006	

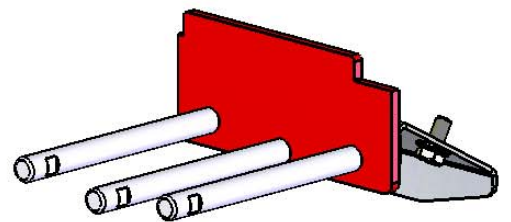


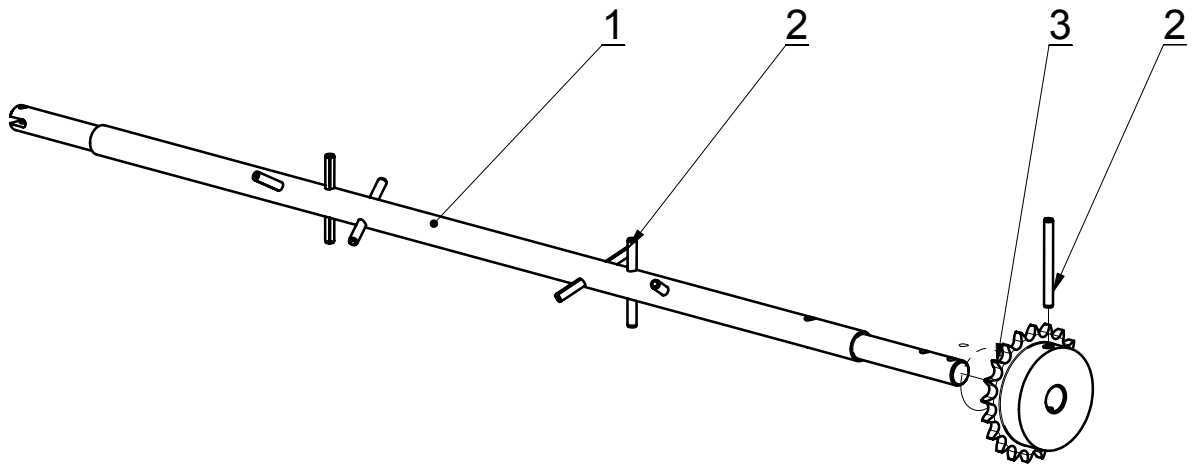


Sealed flap kit

Reference : SEM01-27-035

					Weight : 0.61 Kg
Seep	Reference	Description	Qty.	Weight	Comments
1	SEM01-26-510	Crimped distribution emptying ramp	1	0.19	
2	SEM01-27-635	Sealing flap	1	0.19	
3	SEM01-26-620	Distribution shaft	3	0.06	
4	RDC6	Washer Ø6 - yellow electro zinc	5	0.003	
5	VH6-020-FT	Screw H - M6 x 20 - 8.8 - bichromated yellow	3	0.007	
6	VH6-014-FT	Screw H - M6 x 14 - 8.8 - bichromated yellow	2	0.006	

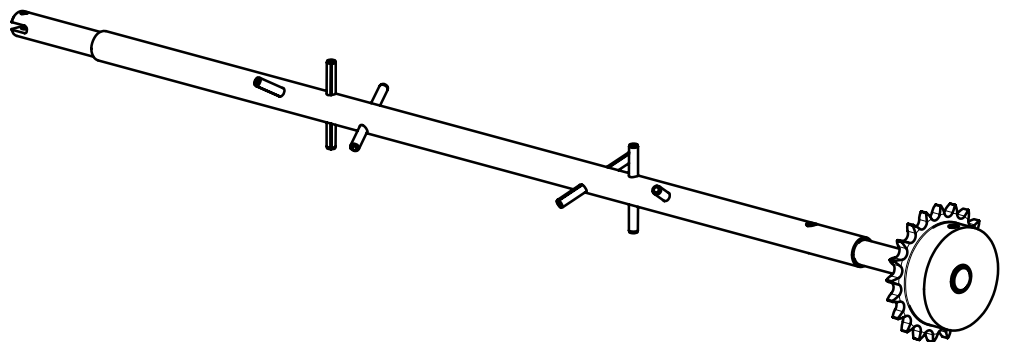


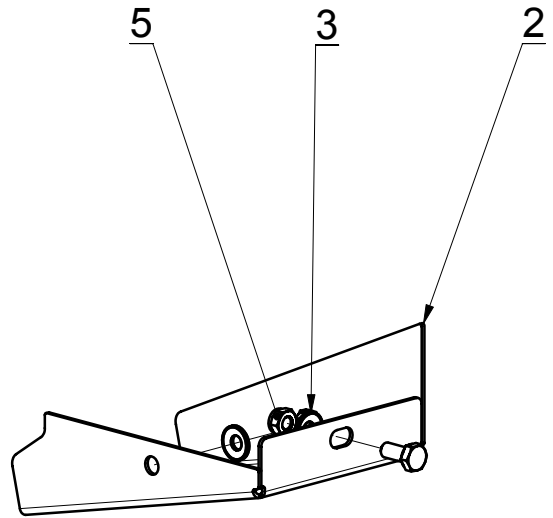
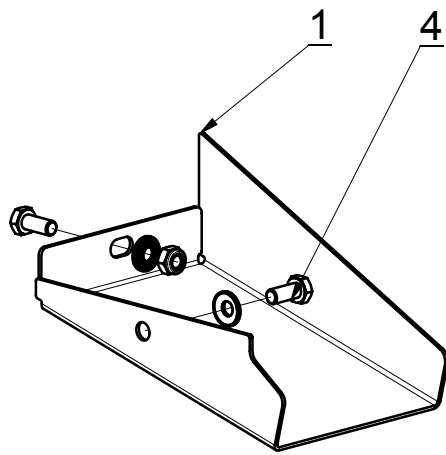


Stirrer kit

Reference : SEM05-27-005

					Weight : 2.83 Kg
Seep	Reference	Description	Qty.	Weight	Comments
1	SEM05-27-625	Stirrer shaft	1	1.99	
2	GE06-60-INOX	Elastic pin Ø6x60 - stainless-steel	7	0.01	
3	PIGN12,7-21-4	Pinion 08B1-21 teeth- 12,7- Ø17	1	0.773	

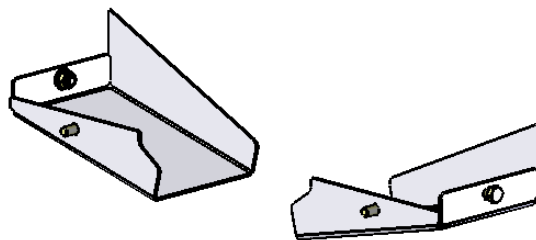


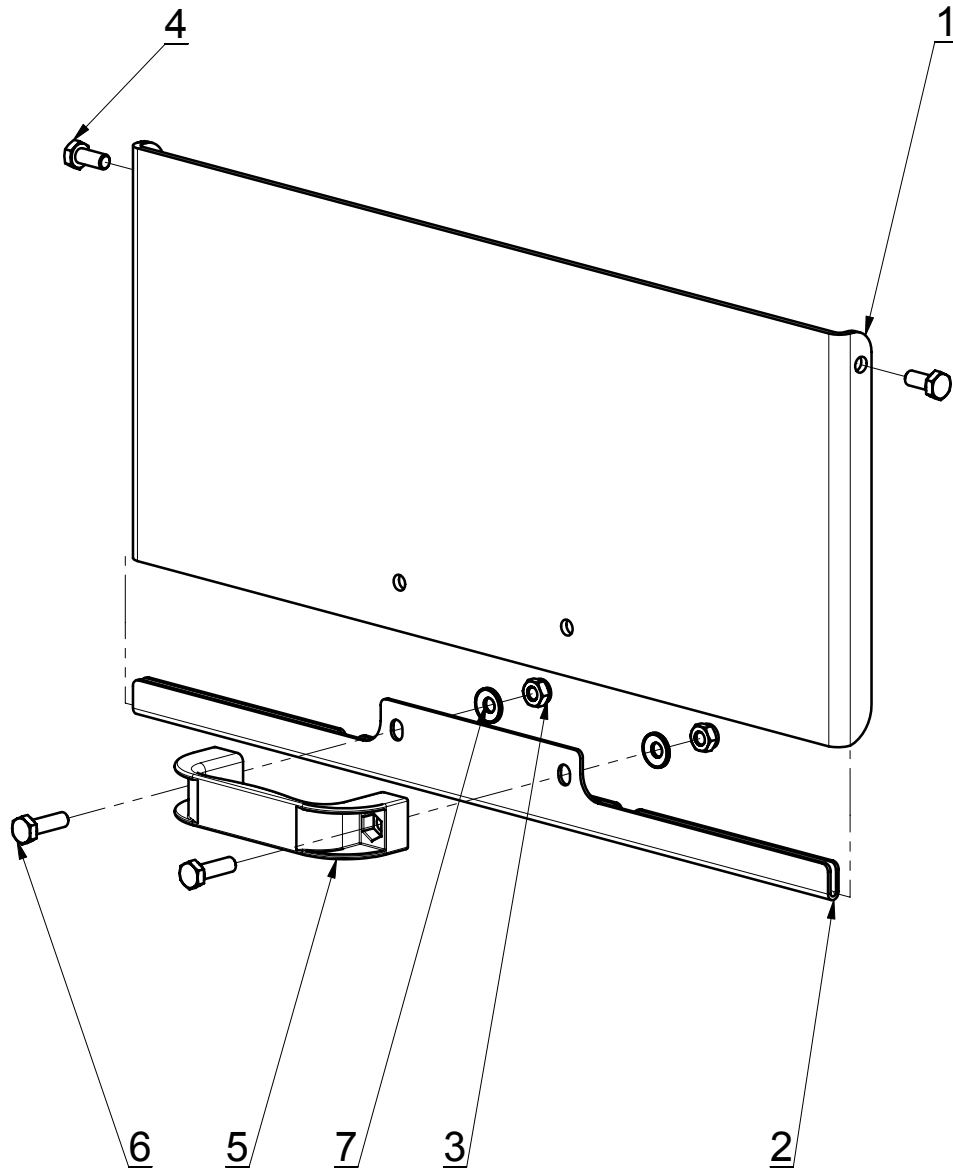


Spout kit

Reference : SEM01-26-003

					Weight : 0.58 Kg
Seep	Reference	Description	Qty.	Weight	Comments
1	SEM01-26-645	Right-hand delivery spout	1	0.27	
2	SEM01-26-646	Left-hand delivery spout	1	0.27	
3	RDC6	Washer Ø6 - yellow electro zinc	4	0.003	
4	VH6-014-FT	Screw H - M6 x 14 - 8.8 - bichromated yellow	4	0.006	
5	EN6	Nylstop Nut M6 - 8 - bichromated yellow	2	0.003	

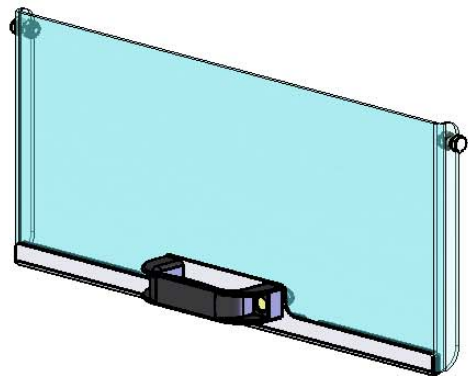


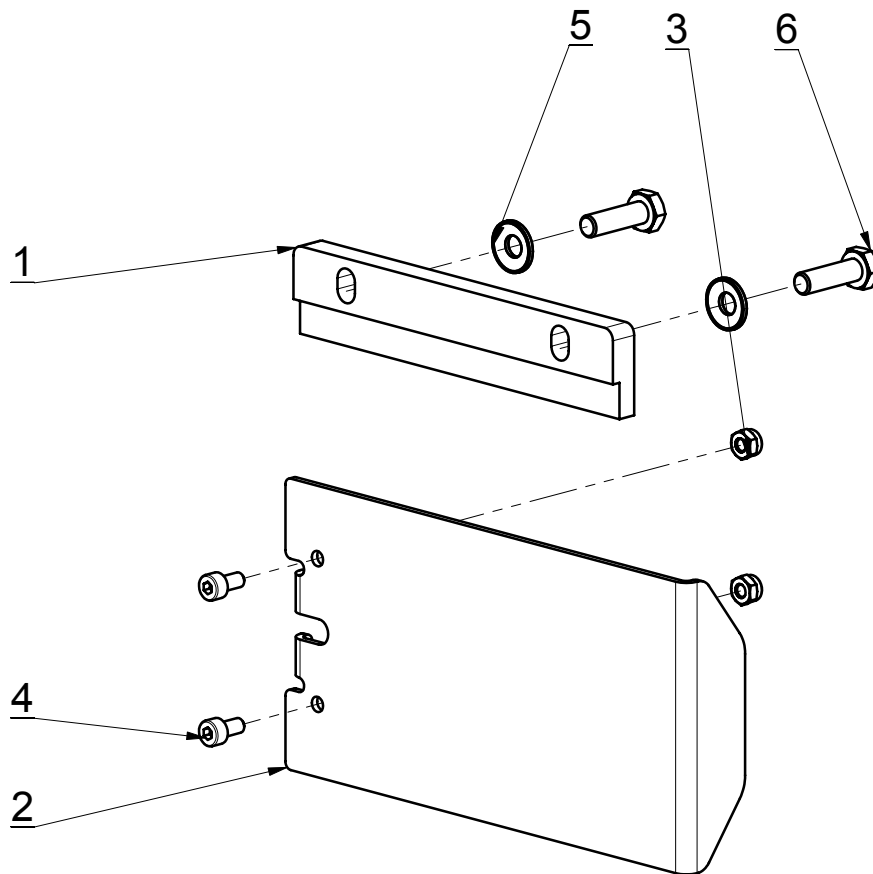


Distribution casing kit

Reference : SEM01-21-015

					Weight : 2.08 Kg
Seep	Reference	Description	Qty.	Weight	Comments
1	SEM01-21-625	Distribution casing	1	1.70	
2	SEM01-21-626	Rigidification selector	1	0.17	
3	EN6	Nylstop Nut M6 - 8 - bichromated yellow	4	0.003	
4	VH6-014-FT	Screw H - M6 x 14 - 8.8 - bichromated yellow	2	0.006	
5	PM6-94	Maintenance handle Ø6-94	1	0.17	
6	VH6-020-FT	Screw H - M6 x 20 - 8.8 - bichromated yellow	2	0.007	
7	RDC6	Washer Ø6 - yellow electro zinc	2	0.003	

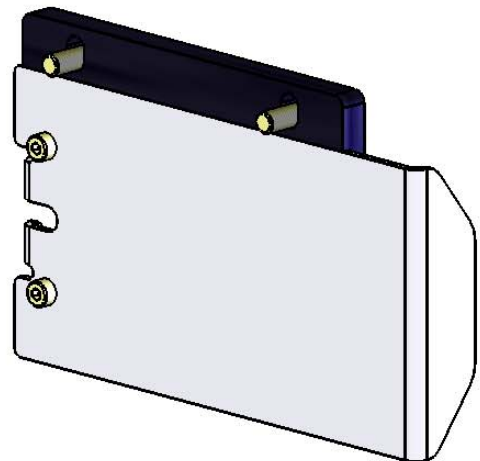


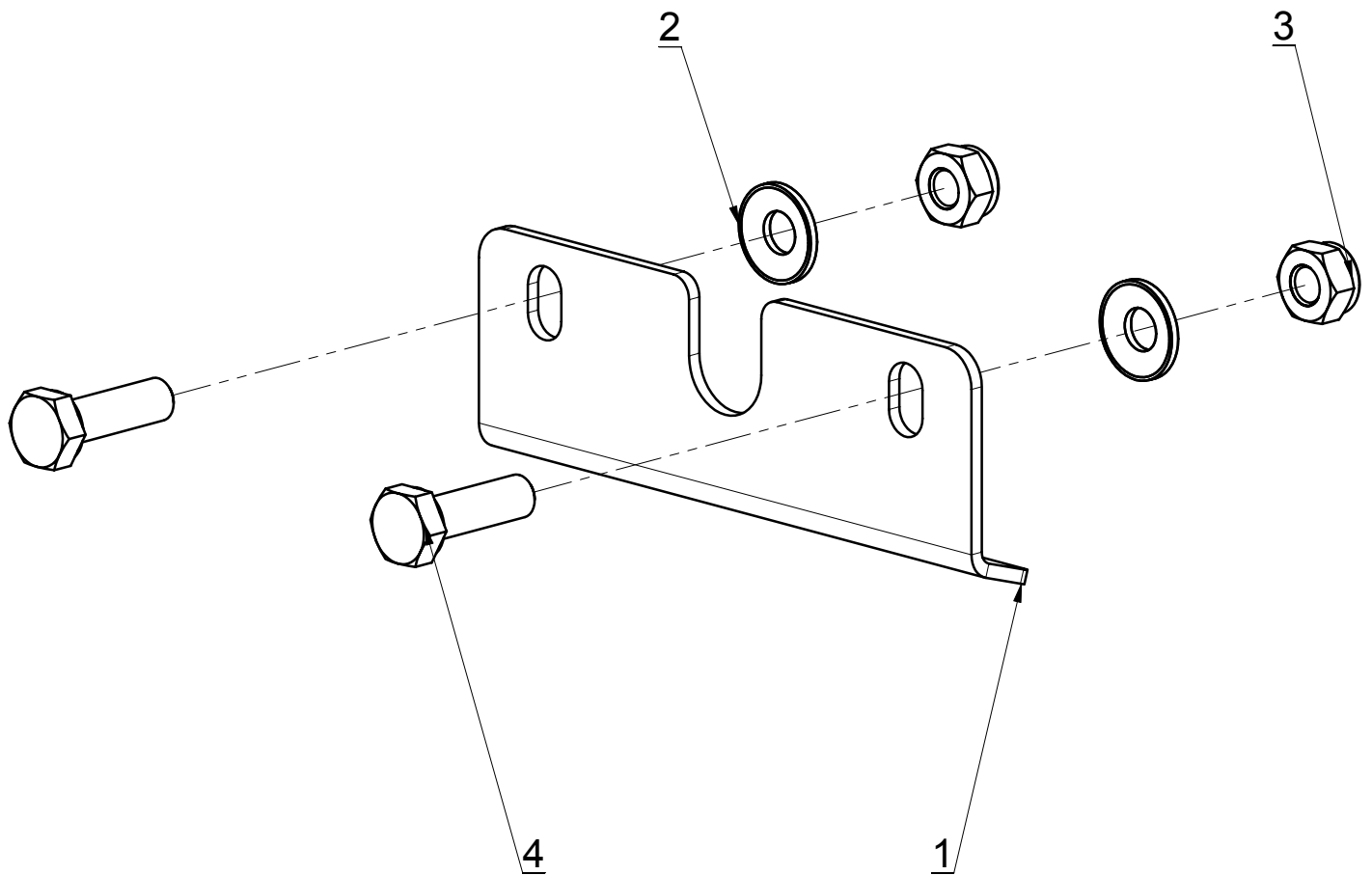


Emptying trap kit

Reference : SEM01-26-007

					Weight : 0.25 Kg
Seep	Reference	Description	Qty.	Weight	Comments
1	SEM01-27-630	Hopper emptying sliding draw	1	0.02	
2	SEM01-26-651	Hopper emptier draw	1	0.20	
3	EN4	Nylstop Nut M4 - 8 - bichromated yellow	2	0.001	
4	VCHC4-008-FT	Screw CHc - M4 x 8 - 8.8 - bichromated yellow	2	0.00	
5	RDC6	Washer Ø6 - yellow electro zinc	2	0.003	
6	VH6-020-FT	Screw H - M6 x 20 - 8.8 - bichromated yellow	2	0.007	

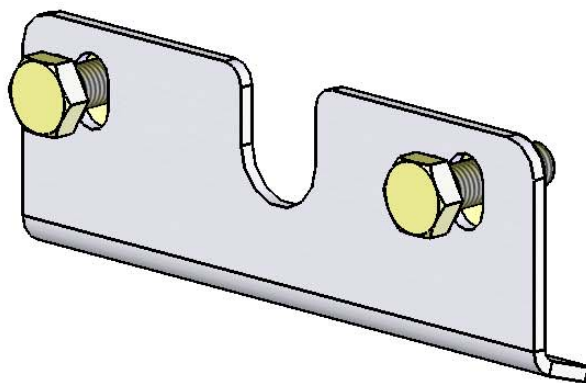


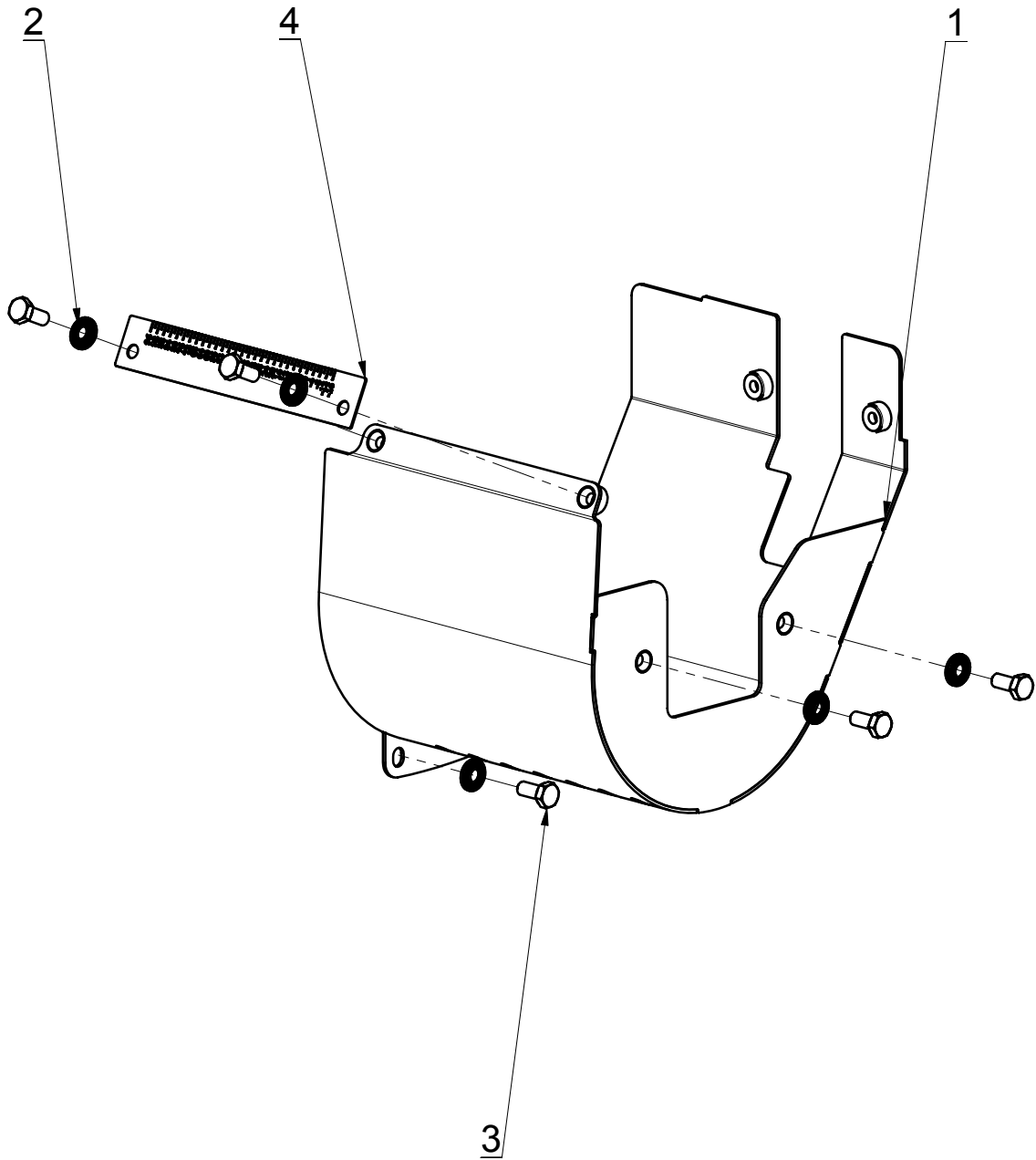


Sealing selector kit

Reference : SEM01-26-005

					Weight : 0.08 Kg
Seep	Reference	Description	Qty.	Weight	Comments
1	SEM01-26-660	Sealing selector	1	0.06	
2	RDC6	Washer Ø6 - yellow electro zinc	2	0.003	
3	EN6	Nylstop Nut M6 - 8 - bichromated yellow	2	0.003	
4	VH6-020-FT	Screw H - M6 x 20 - 8.8 - bichromated yellow	2	0.007	

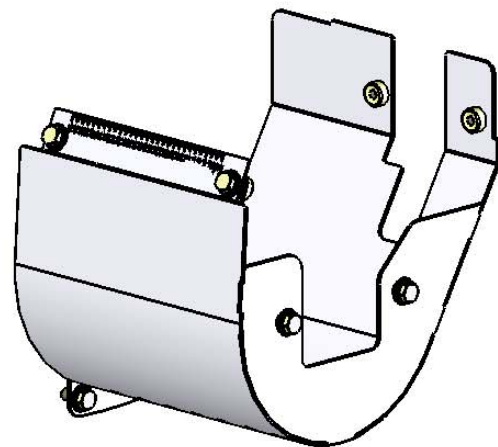


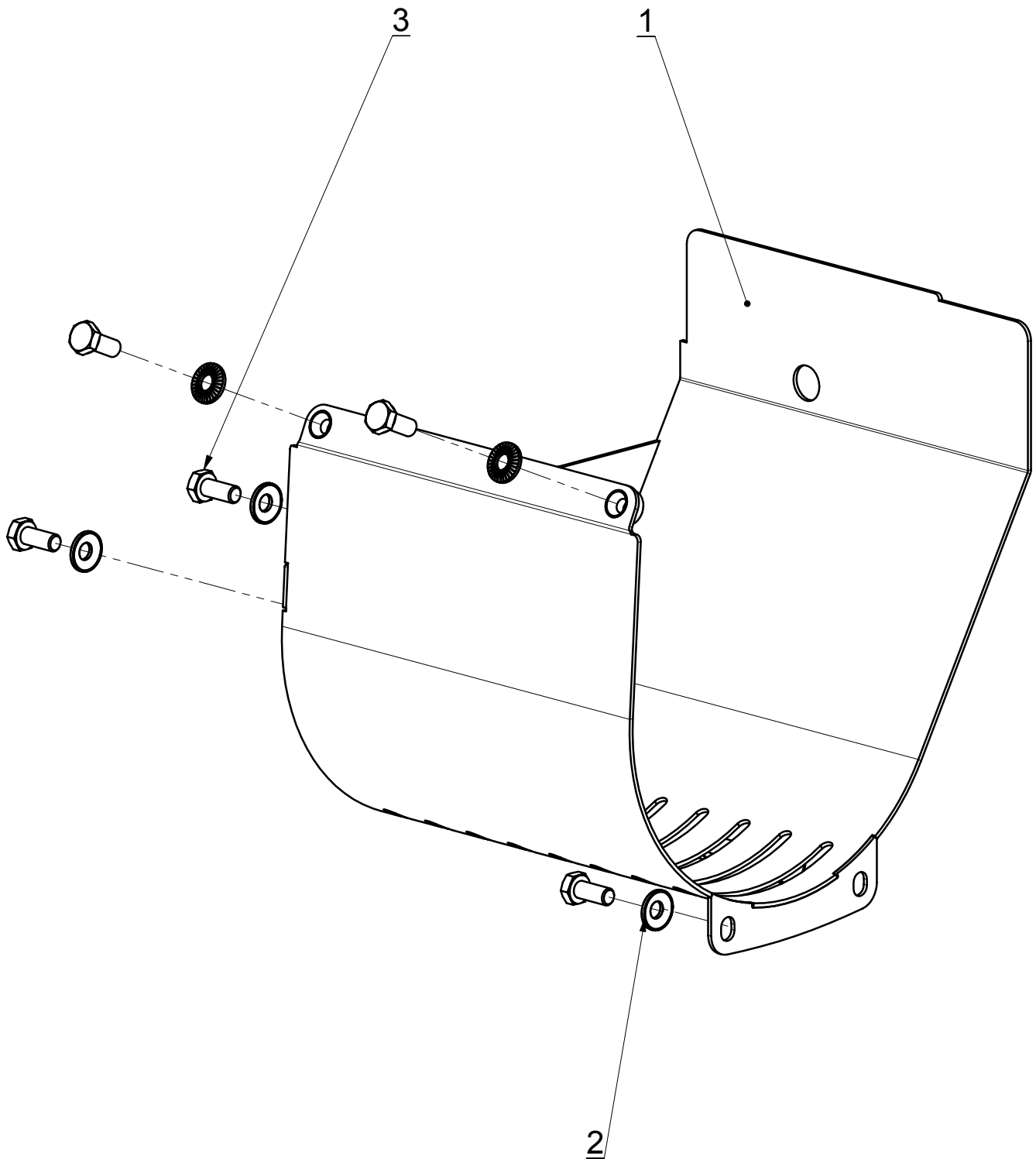


Righthand fluted feed drill casing kit

Reference : SEM01-21-020

					Weight : 1.01 Kg
Seep	Reference	Description	Qty.	Weight	Comments
1	SEM01-21-501	Right-hand delivery spout	1	0.95	
2	RDC6	Washer Ø6 - yellow electro zinc	6	0.003	
3	VH6-014-FT	Screw H - M6 x 14 - 8.8 - bichromated yellow	6	0.006	
4	SEM01-26-670	Delivery rate graduation	1	0.01	

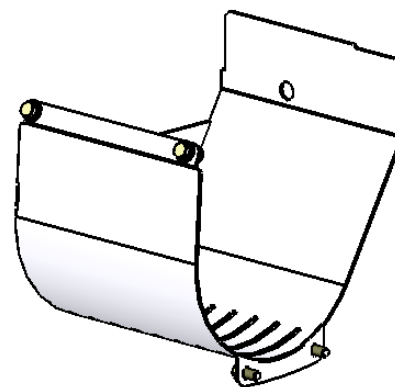


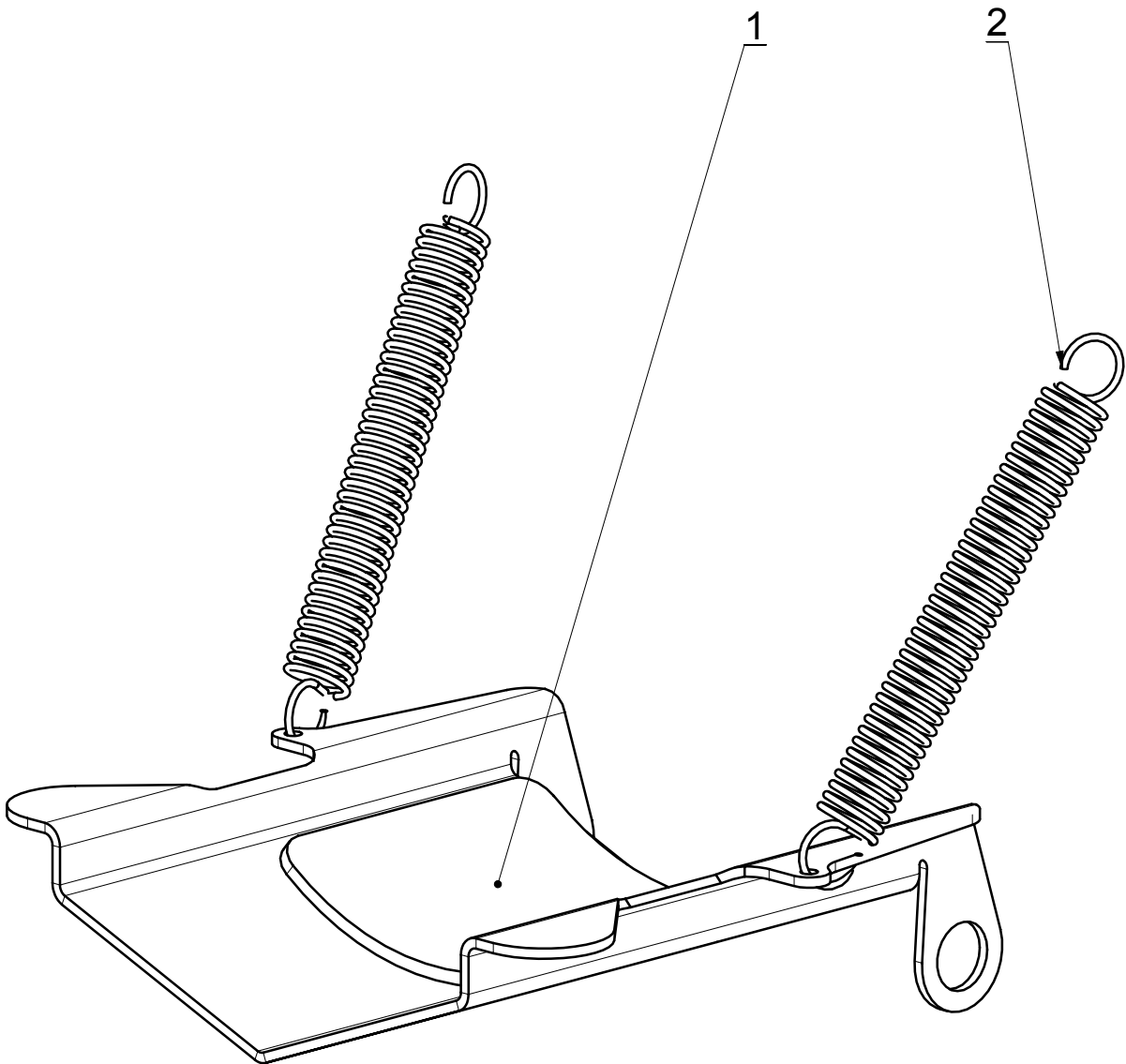


Lefthand fluted feed drill casing kit

Reference : SEM01-21-021

					Weight : 1.03 Kg
Seep	Reference	Description	Qty.	Weight	Comments
1	SEM01-21-504	Left-hand delivery spout	1	0.98	
2	RDC6	Washer Ø6 - yellow electro zinc	6	0.003	
3	VH6-014-FT	Screw H - M6 x 14 - 8.8 - bichromated yellow	6	0.006	

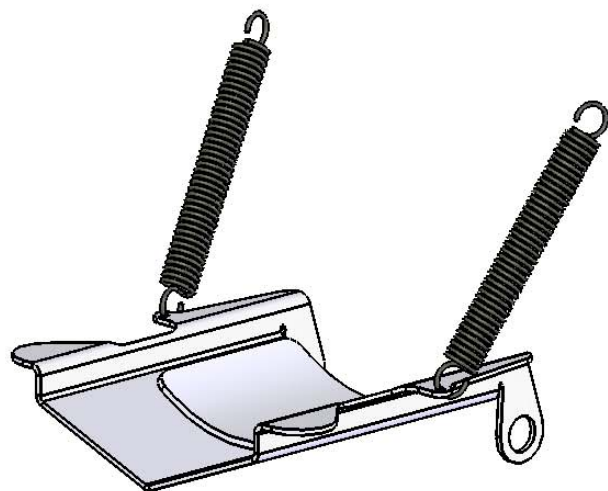


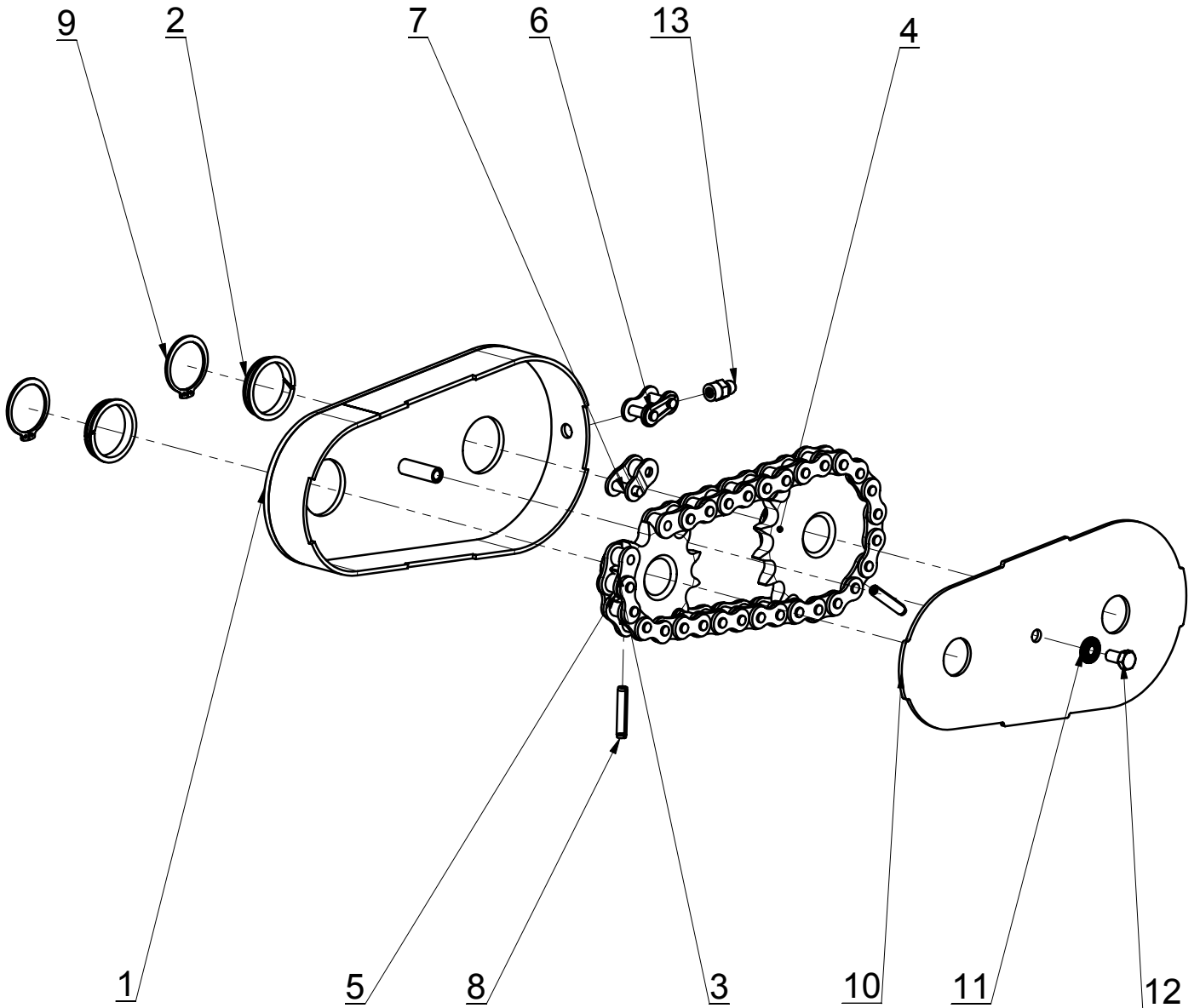


Dosing trap kit - Ø90

Reference : SEM01-26-016

					Weight : 0.21 Kg
Seep	Reference	Description	Qty.	Weight	Comments
1	SEM01-26-516	Dosing trap - Venturi Ø90	1	0.19	
2	SEM01-25-610	Traction spring Ø1 - Ø10 - 70	2	0.01	

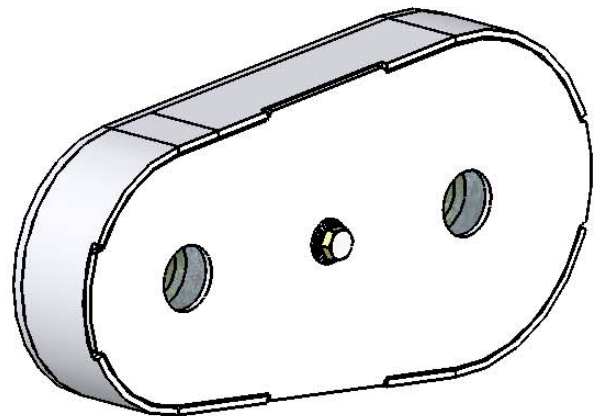




Box r=1/2

Reference : SEM01-27-025

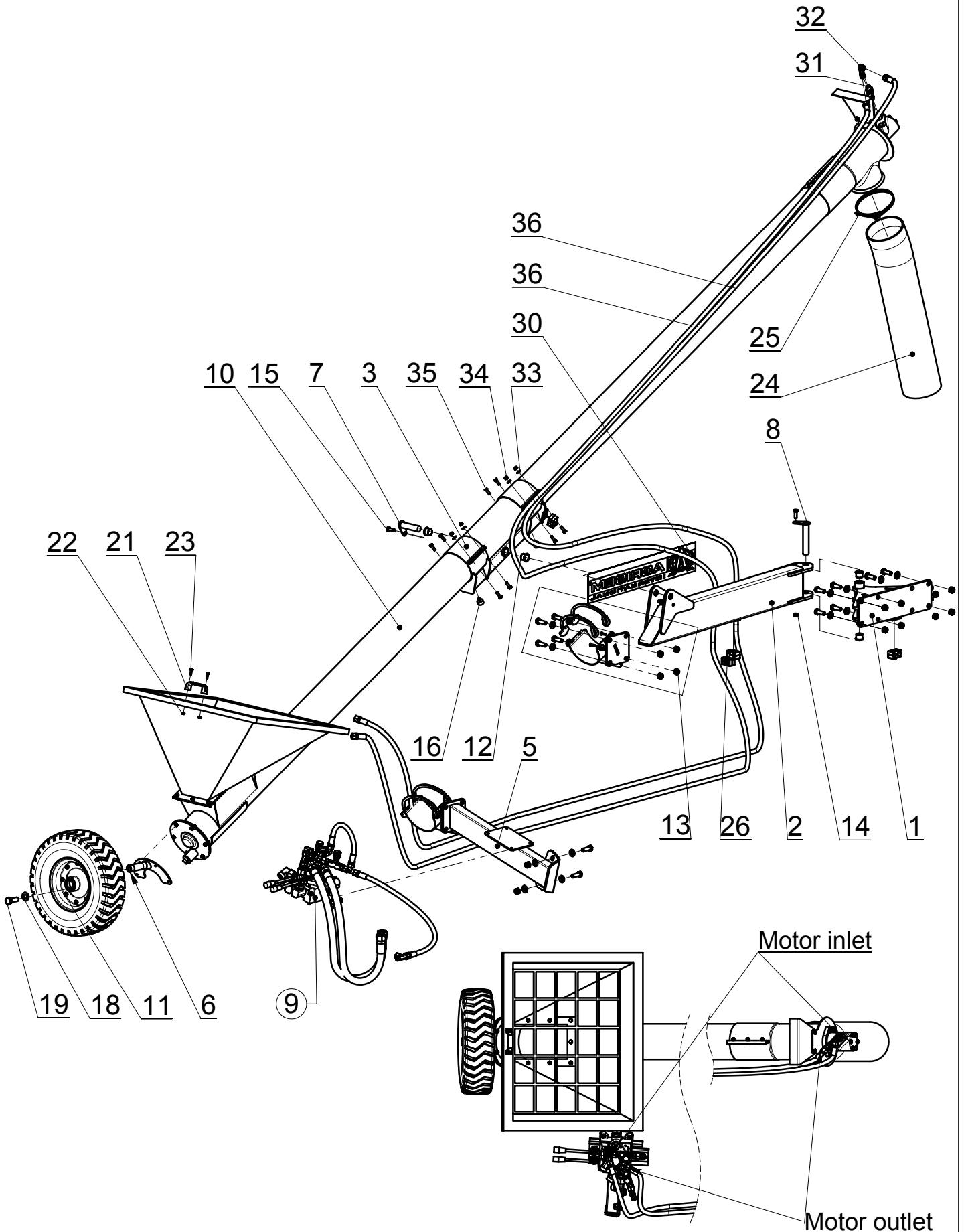
					Weight : 1.47 Kg
Seep	Reference	Description	Qty.	Weight	Comments
1	SEM01-21-505	box main part	1	0.50	
2	MCM-25-03	Bearing clip Ø25 - 3	2	0.00	
3	PIGN12,7-12-1	Pinion 08B1-12 teeth- 12,7- Ø17,5	1	0.133	
4	PIGN12,7-17-1	Pinion 08B1-17 teeth- 12,7- Ø17,5	1	0.291	
5	SEM01-22-603	Chain - DIN 8187- Thread 12,7 - 29 links	1	0.29	
6	CRS-08B1-AR	Fast,simple clip 12,7	1	0.01	
7	CRS-08B1-MCS	Single-bend link 12,7	1	0.01	
8	GES5-24-E	Thick spiraled elastic pin Ø5 x 24	2	0.002	
9	CE24-1,2	External circlip 24x1,2	2	0.002	
10	SEM01-21-632	Box lid	1	0.20	
11	RDC5	Washer Ø5 - yellow electro zinc	1	0.002	
12	VH5-010-FT	Screw H - M5 x 10 - 8.8 - bichromated yellow	1	0.003	
13	GRAI502	M8x1,25 Straight lubricator	1	0.005	



11. LIFT-O-SEM OPTIONS



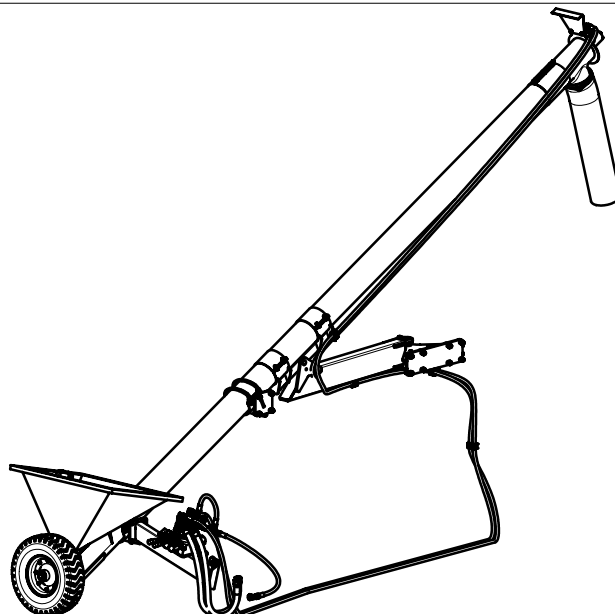
BALE CHUTE KIT

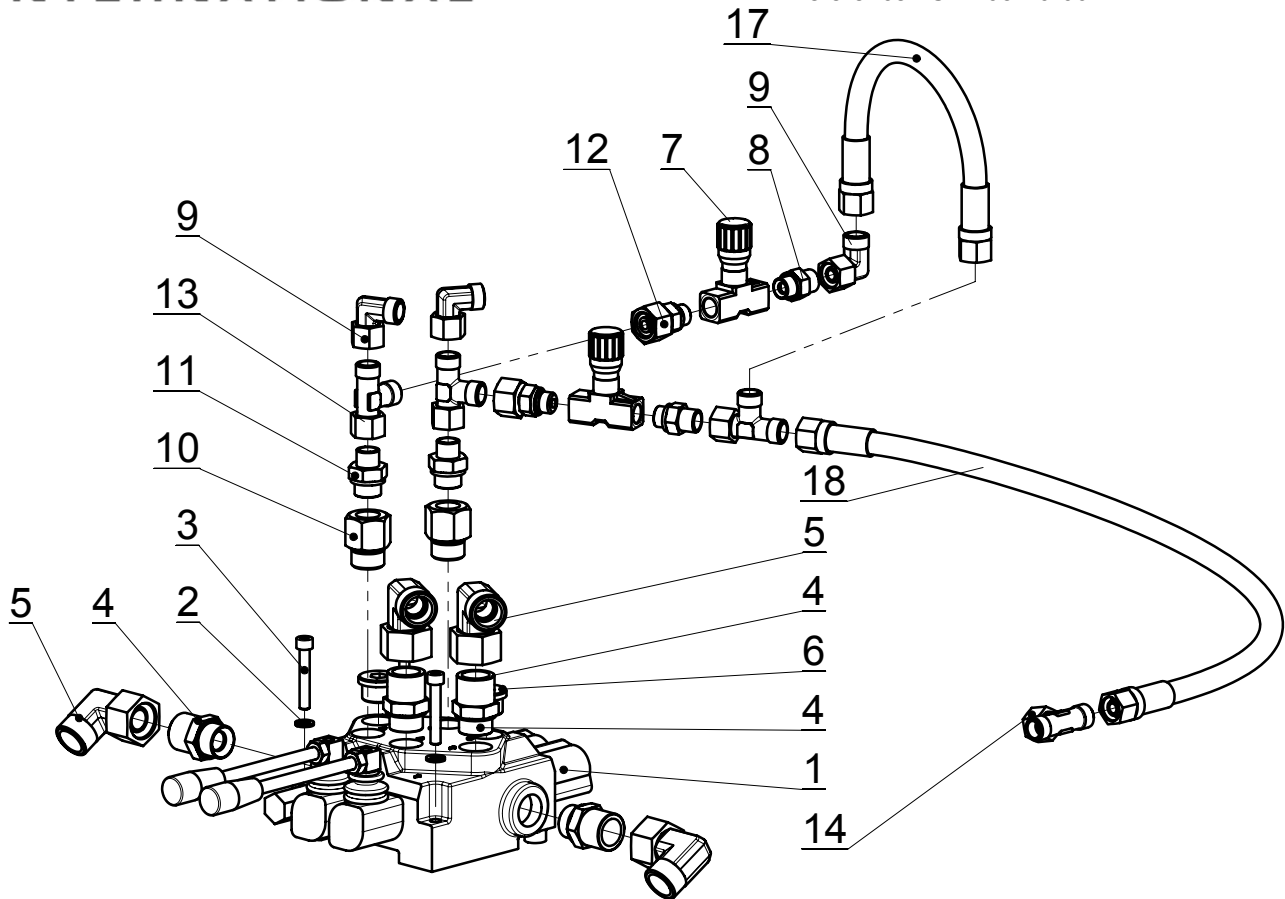


Bale chute kit

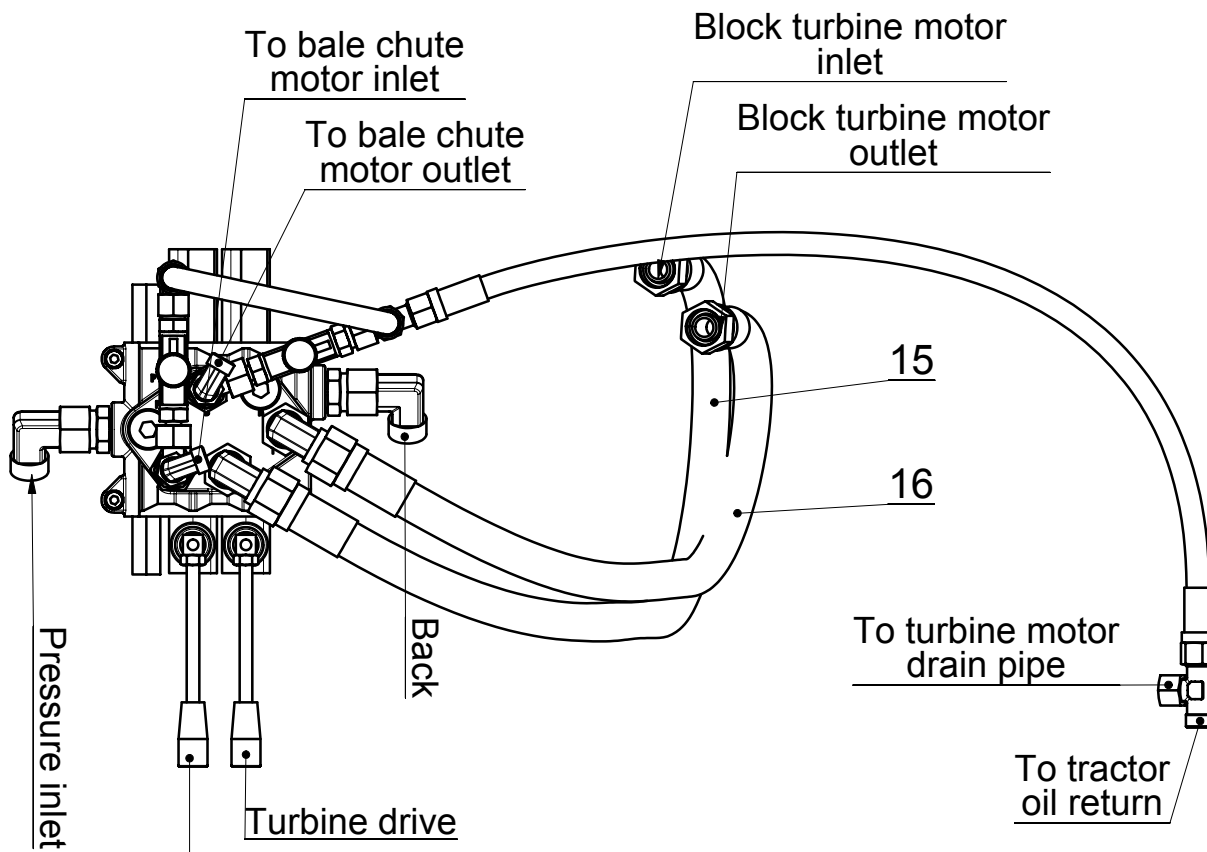
Reference : SEM05-01-005

					Weight : 193.06 Kg
Seep	Reference	Description	Qty.	Weight	Comments
1	SEM05-01-530	Anchor-frame for bale chute	1	13.78	
2	SEM05-01-531	Horizontal arm for bale chute	1	23.56	
3	SEM05-01-532	Bale chute's gate	1	8.82	
4	SEM05-01-533	Bale chute's bot	1	3.03	
5	SEM05-01-534	Stabilizing arm for bale chute	1	9.56	
6	SEM05-05-501	Wheel support for bale chute	1	1.18	
7	SEM05-15-504	Gate shaft	1	0.45	
8	SEM05-15-503	Horizontal arm shaft	1	0.60	
9	SEM05-20-007	Hydraulic kit for bale chute	1	19.43	
10	VDC150-5000	Bale chute Ø150 - 5m	1	94.00	
11	Roue501	Wheel Ø460x140 with intagrated hub	1	10.25	
12	BC-601	Shouldered bushing Ø25x21,5	4	0.005	
13	EN14	Nylstop Nut M14 - 8 - bichromated yellow	14	0.031	
14	EN10	Nylstop Nut M10 - 8 - bichromated yellow	2	0.014	
15	VH10-030-FT	Screw H - M10 x 30 - 8.8 - bichromated yellow	2	0.031	
16	AV25-15	Anti-vibration support Ø25 lg15	2	0.01	
17	VH14-040-FT	Screw H - M14 x 40 - 8.8 - bichromated yellow	14	0.077	
18	R18M	Average washer Ø18 - yellow electro zinc	1	0.02	
19	VH18-050-FT	Screw H - M18 x 50 - 8.8 - bichromated yellow	1	0.156	
20	R14M	Average washer Ø14 - yellow electro zinc	16	0.01	
21	PM6-94	Maintenance handle Ø6-94	1	0.17	
22	EN6	Nylstop Nut M6 - 8 - bichromated yellow	6	0.003	
23	VH6-020-FT	Screw H - M6 x 20 - 8.8 - bichromated yellow	2	0.007	
24	TUS-160	Spiral hose Ø160 lg 0,8m	1	2.39	
25	CDF-160	Double-threaded clamp Ø160	1	0.07	
26	CPD17C	Double-threaded clamp for hose Ø17	4	0.09	
27	TDF15	Fixing wedge Ø15	4	0.00	
28	TEC10-285	Rubber layer Ø10 - Lg285	4	0.05	
29	VFHC6-025-FT	Screw FHc - M6 x 25 - 8.8 - bichromated yellow	4	0.01	
30	ETIQ-601	AGRISEM sticker length:700	1	0.00	
31	UM12S012R	Male union fitting 1/2" gas - DIN12S	2	0.09	
32	CT08S	Adaptable bend DIN 08S	2	0.07	
33	R8M	Average washer Ø8 - yellow electro zinc	8	0.00	
34	EN8	Nylstop Nut M8 - 8 - bichromated yellow	8	0.006	
35	VH8-025-FT	Screw H - M8 x 25 - 8.8 - bichromated yellow	8	0.016	
36	2T-08000-12S12S	Flexible coupling 8m DIN12S - DIN12S	1	1.13	
37	2T-08000-12S12S	Flexible coupling 8m DIN12S - DIN12S	1	1.13	





Oil distributor coupling:

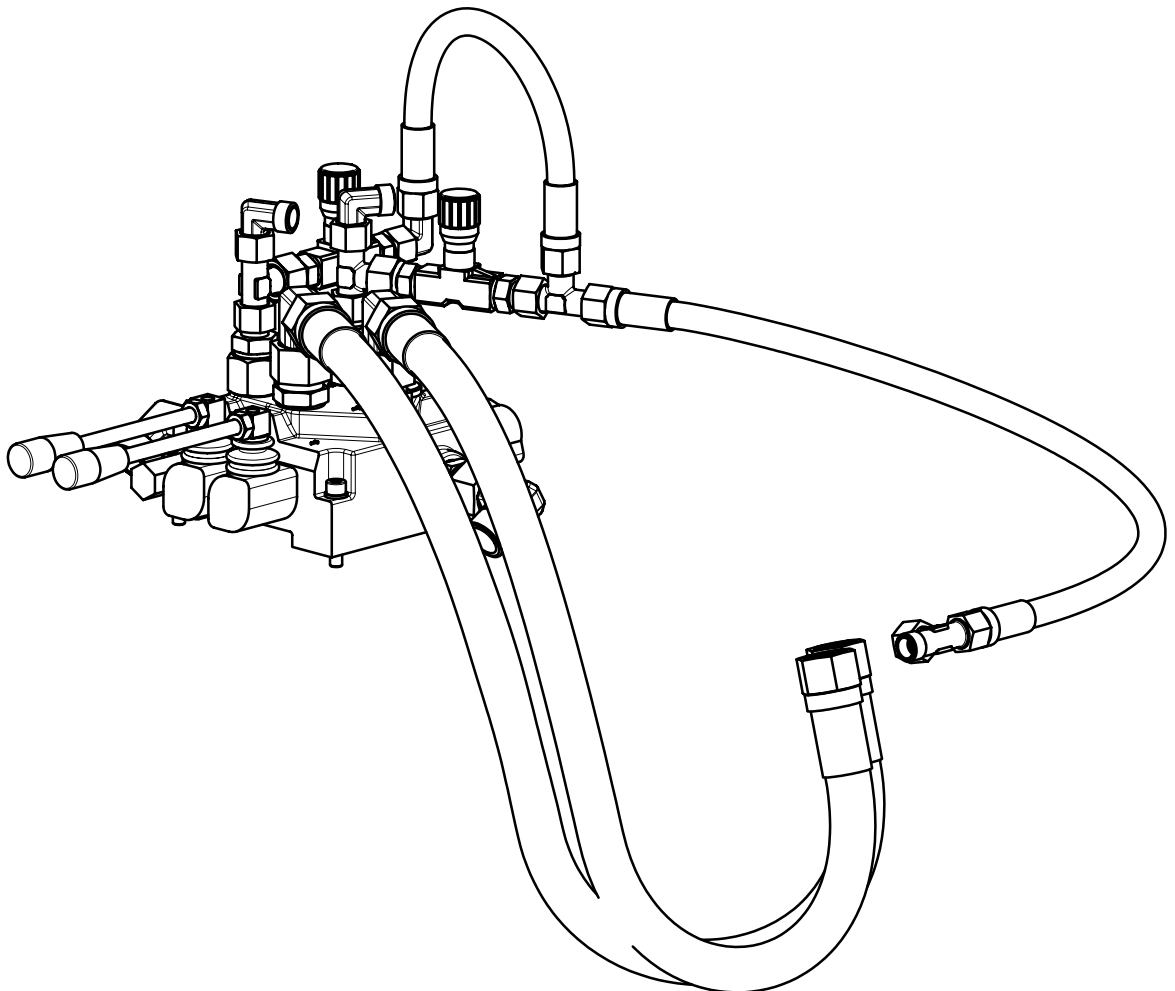


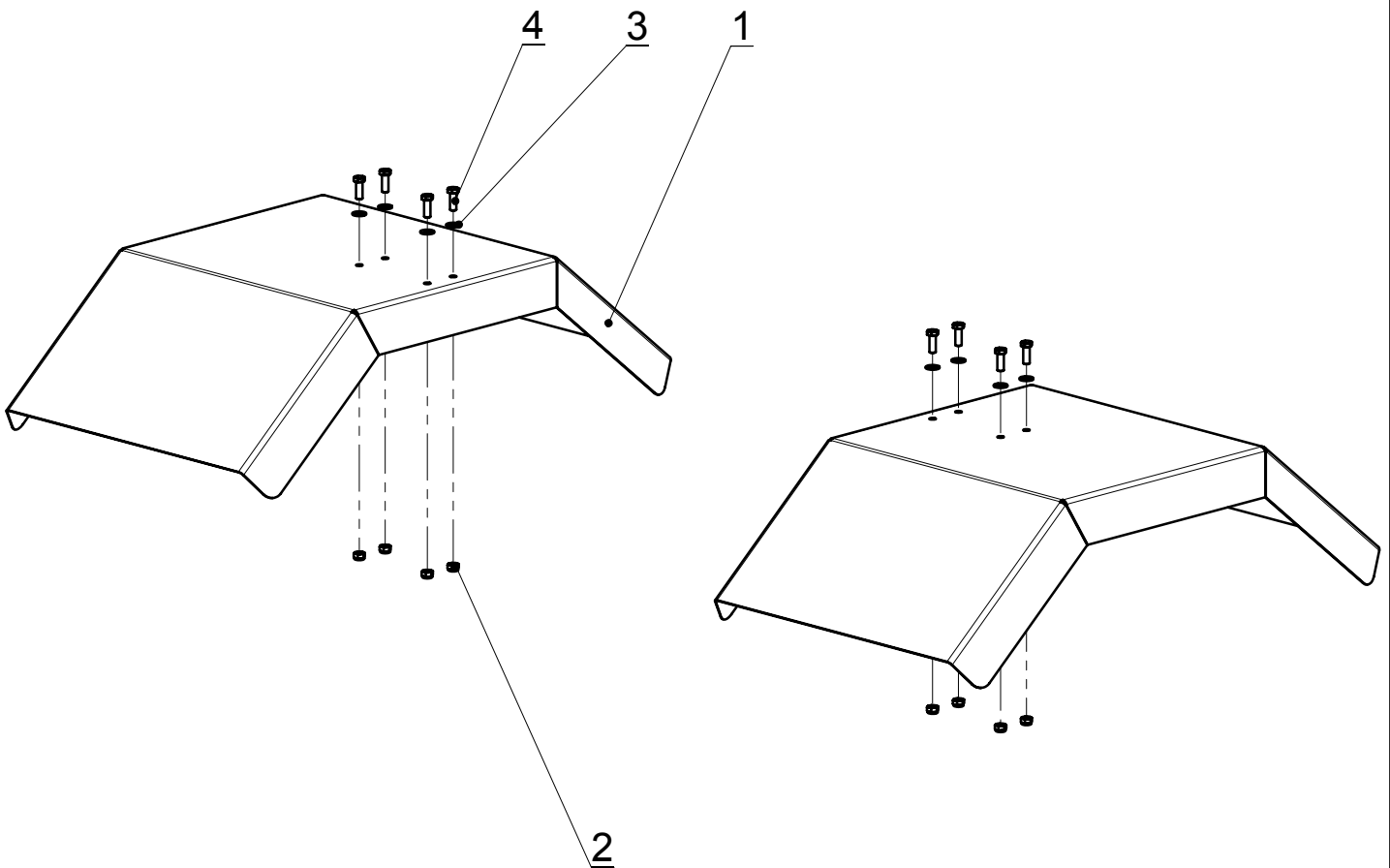
Bale chute drive (Max flow : 40L/min - Max pressure : 80bars)

Hydraulic kit for bale chute

Reference : SEM05-20-007

					Weight : 19.43 Kg
Seep	Reference	Description	Qty.	Weight	Comments
1	DM080	Hydraulic distributor monoblock - 2 items	1	12.32	
2	RE8	Washer Ø8 - elastic bichromated yellow	3	0.002	
3	VCHC8-050-FT	Screw CHc - M8 x 50 - 8.8 - bichromated yellow	3	0.03	
4	UM20S034R	Male union fitting 3/4" gas - DIN20S	4	0.15	
5	CT20S	Adaptable bend DIN 20S	4	0.15	
6	BM034R	Male plug 3/4" gas	2	0.08	
7	LDB038R	Unidirectional flow control valve 3/8" gas	2	0.34	
8	UM12S038R	Male union fitting 3/8" gas - DIN12S	2	0.06	
9	CT12S	Adaptable bend DIN 12S	3	0.11	
10	UMF034R012R	Male female union 3/4" gas - 1/2" gas	2	0.12	
11	UM12S012R	Male union fitting 1/2" gas - DIN12S	2	0.09	
12	AT12S038R	Rotating adaptor DIN 12S - 3/8" Gas	2	0.16	
13	TOR12S	Reverse swivelling T DIN12S	3	0.13	
14	TO12S	Swivelling T DIN 12S	1	0.13	
15	2T-00900-20S20S	Flexible coupling 0,9m DIN20S - DIN20S	1	0.35	
16	2T-00900-20S20S	Flexible coupling 0,9m DIN20S - DIN20S	1	0.32	
17	2T-00350-12S12S	Flexible coupling 0,35m DIN12S - DIN12S	1	0.05	
18	2T-00800-12S12S	Flexible coupling 0,80m DIN12S - DIN12S	1	0.11	

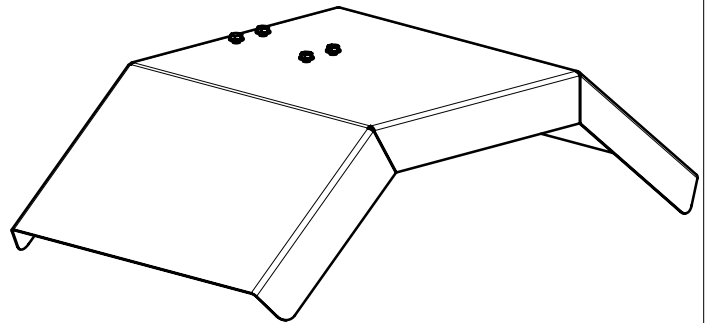
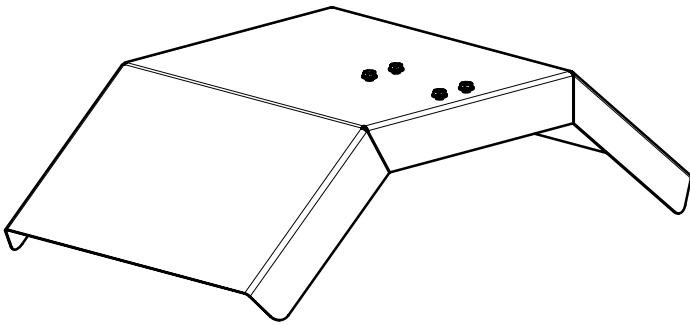




Mudguard kit

Reference : SEM05-05-001

					Weight : 61.03 Kg
Seep	Reference	Description	Qty.	Weight	Comments
1	SEM05-05-505	Mudguard wheel Ø1333x800	2	30.04	
2	EN14	Nylstop Nut M14 - 8 - bichromated yellow	8	0.031	
3	R14M	Average washer Ø14 - yellow electro zinc	8	0.01	
4	VH14-040-FT	Screw H - M14 x 40 - 8.8 - bichromated yellow	8	0.077	



AGRISEM RANGE



AGRISEM[®]

INTERNATIONAL

no. 1 worldwide



The Professionals' choice



Creator of equipment for sustainable agriculture

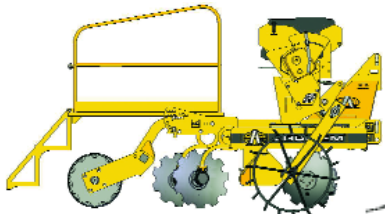


The 1st manufacturer to market a stubble-breaker with independent, retractable discs, a soil-loosener with retracted-point blades and a disc seed-drill which covers over



AGRISEM[®]
INTERNATIONAL

Disc-O-Sem[®]



DS 1100-1400 Super/SE
Rigid: 3 - 4 m

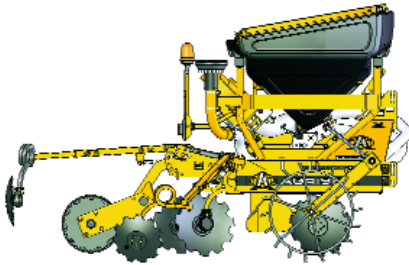


DST 1100-1400 Super/SE
Rigid: 3 - 4 m

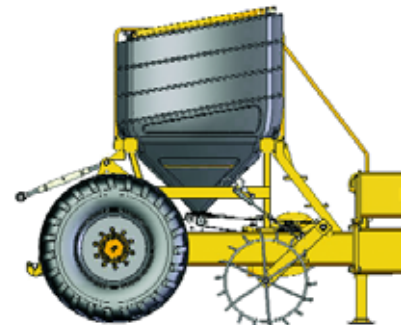


DS 750-1000 Best
Rigid: 2.5 - 3 - 4 m / Folding: 4 m

DS 1500-2000 Super/SE
Rigid: 3 - 4 m

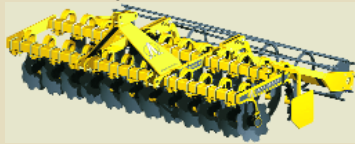


DST 1500-2000 Super/SE
Rigid: 3 - 4 m

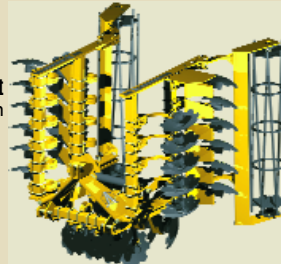


Disc-O-Mulch[®]

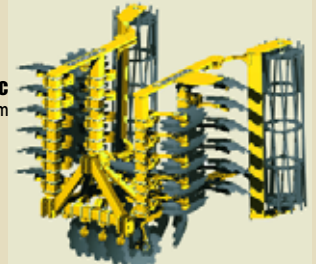
Best
Rigid: 2.5 - 3 - 4 m



Best
Folding: 4 m



Classic
Folding: 4 m



Combiplow[®]



14
1.05 - 1.25 - 1.55
1.75 - 2.05 m



16
1.05 - 1.25
1.55 - 1.75 m



20 S
2 - 2.4 - 2.8 m



31
3 m



32 E
3 - 4 m



32 S
3 - 4 m

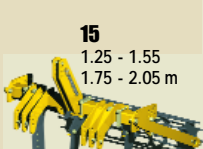


35 D
3 m
4 m retractable

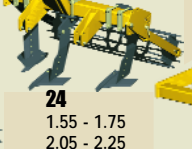
Cultiplow[®]



12
1.05 - 1.25 m



15
1.25 - 1.55
1.75 - 2.05 m



24
1.55 - 1.75
2.05 - 2.25
2.50 - 3 m



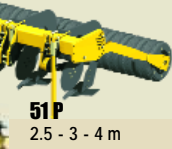
27
3 - 4 m



42
2.5 - 3 - 4 m
4 m retractable



51
3 - 4 m
4 m retractable



51 P
2.5 - 3 - 4 m

Lift-O-Sem[®]



Strip-Till[®]

4 rows
6 rows



n.1 worldwide



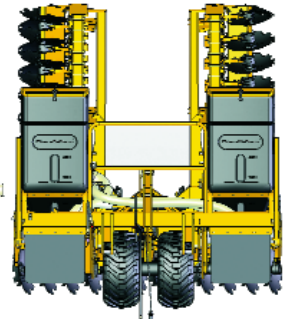
DS 750-1000 Super/SE
Rigid: 2.5 - 3 - 4 m
Folding: 4 - 5 - 6 m



DST 750-1000 Super/SE
Rigid: 2.5 - 3 - 4 m / Folding: 4 - 5 - 6 m



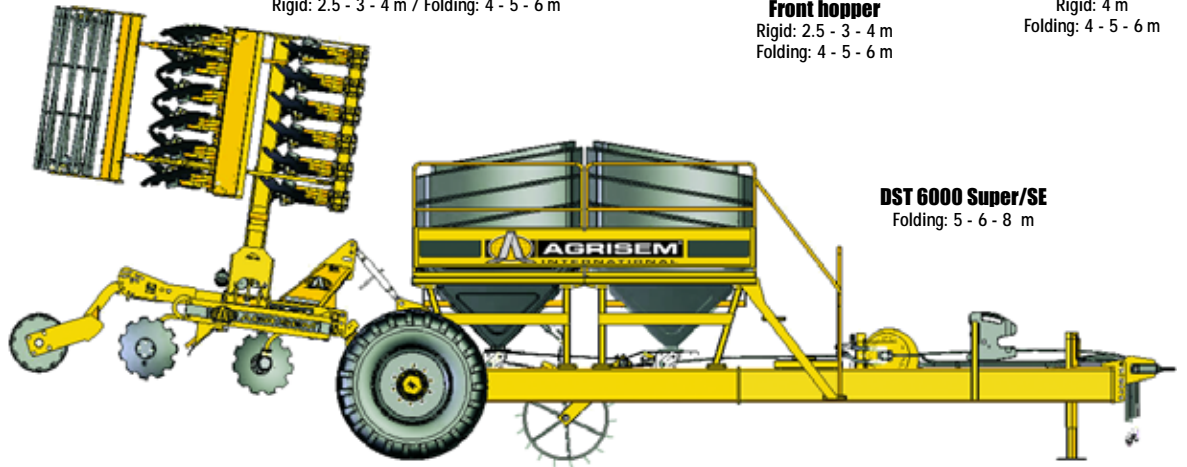
**DSF 1500-2000
Front hopper**
Rigid: 2.5 - 3 - 4 m
Folding: 4 - 5 - 6 m



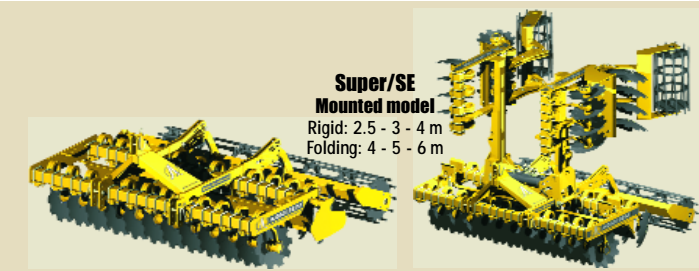
DSD 1500
Rigid: 4 m
Folding: 4 - 5 - 6 m



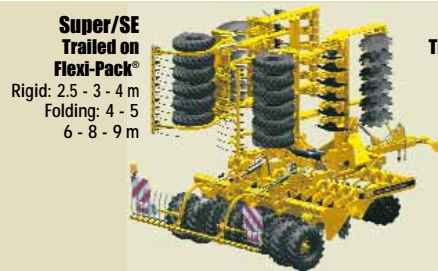
DST 3000 Super/SE
Rigid: 3 - 4 m
Folding: 4 - 5 - 6 m



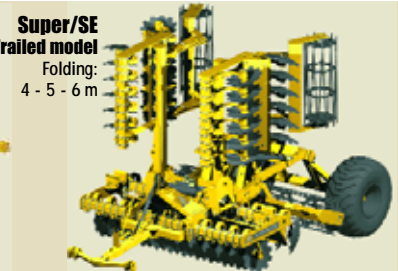
DST 6000 Super/SE
Folding: 5 - 6 - 8 m



**Super/SE
Mounted model**
Rigid: 2.5 - 3 - 4 m
Folding: 4 - 5 - 6 m



**Super/SE
Trailed on
Flexi-Pack®**
Rigid: 2.5 - 3 - 4 m
Folding: 4 - 5
6 - 8 - 9 m



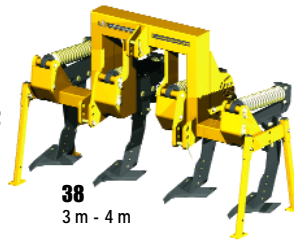
**Super/SE
Trailed model**
Folding:
4 - 5 - 6 m



36 E
3 m - 4 m
4 m retractable



36 S
3 m - 4 m



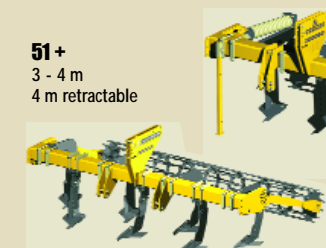
38
3 m - 4 m



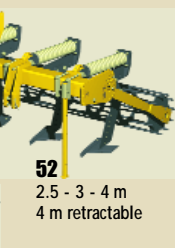
46 S
3 m - 4 m



48
3 m - 4 m



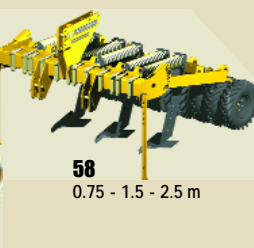
51+
3 - 4 m
4 m retractable



52
2.5 - 3 - 4 m
4 m retractable



52 P
2.5 - 3 - 4 m



58
0.75 - 1.5 - 2.5 m



65
3 - 4.5 - 6 m

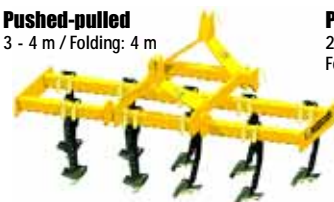
Combimulch®

2.5 - 3 - 4 m



Agromulch®

Pushed-pulled
3 - 4 m / Folding: 4 m



Pulled
2.5 - 3 - 4 m
Folding: 4 - 5 - 6 m



The 4 axis of development

Agronomy



Speed



Environment



Economy



n.1 worldwide
Specialist in soil
conservation techniques

AGRISEM International s.a.

"Beaucé" - 44850 LIGNÉ - FRANCE

Tél. +33 (0) 2 40 77 40 48 - Fax +33 (0) 2 40 77 45 45

E.mail : agrisem@agrisem.com - Site : www.agrisem.com



Treat yourself to the security of a great manufacturer

