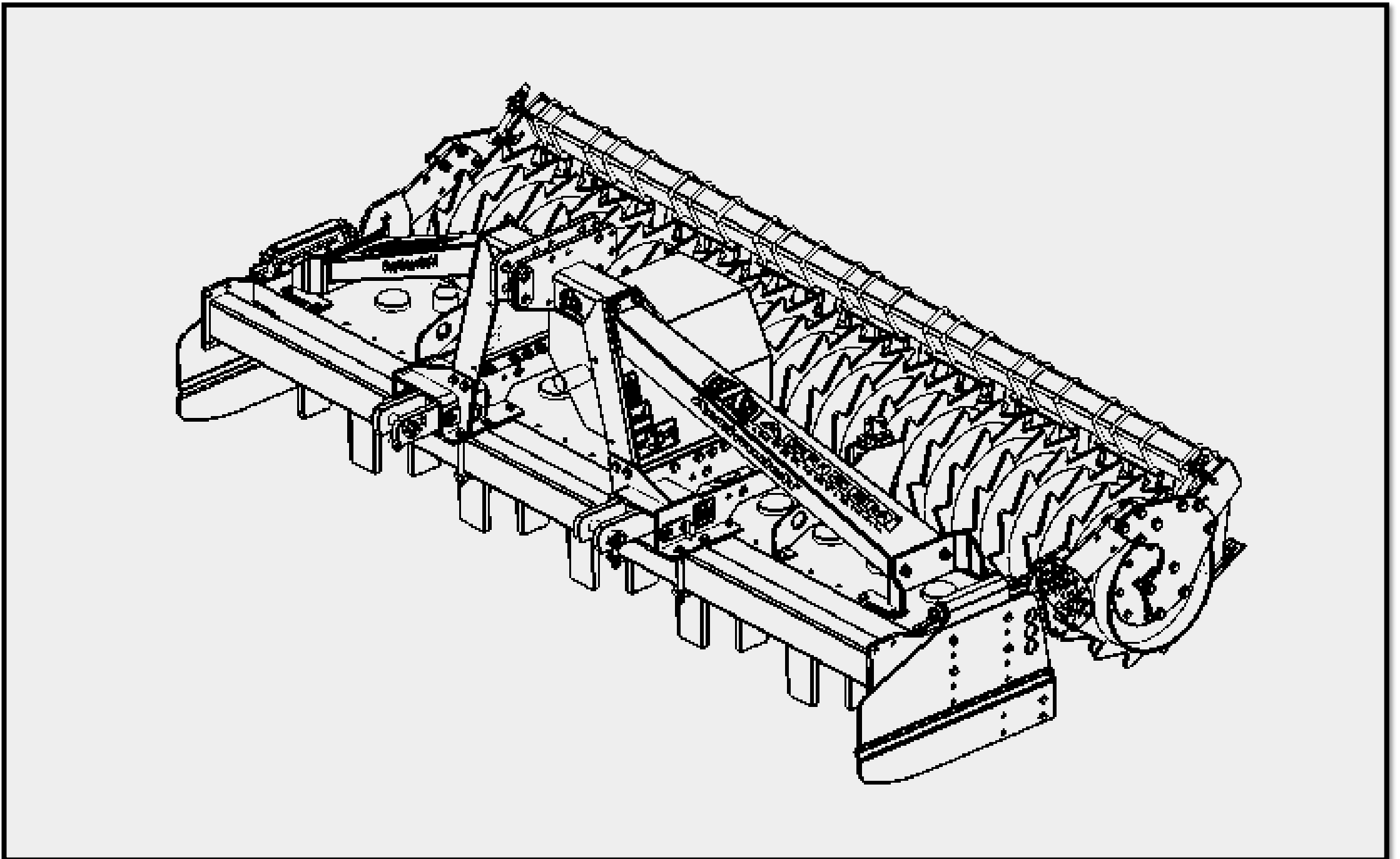
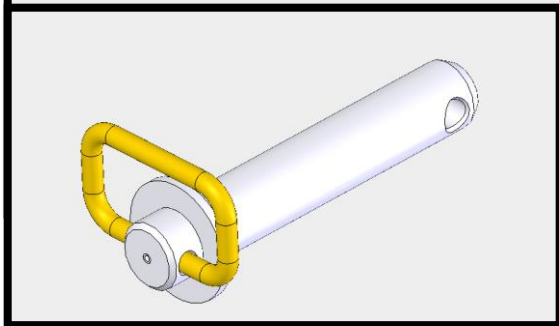
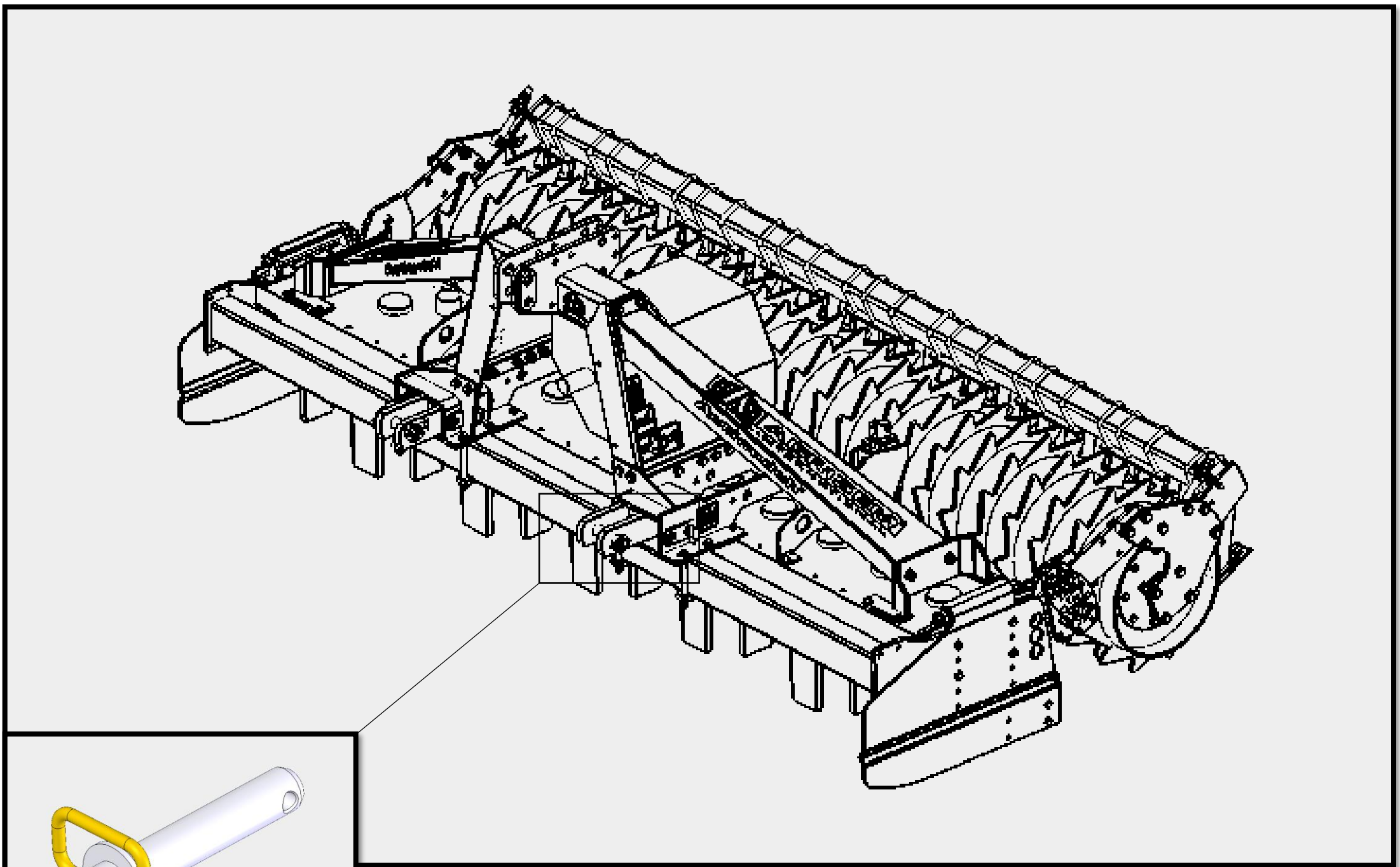


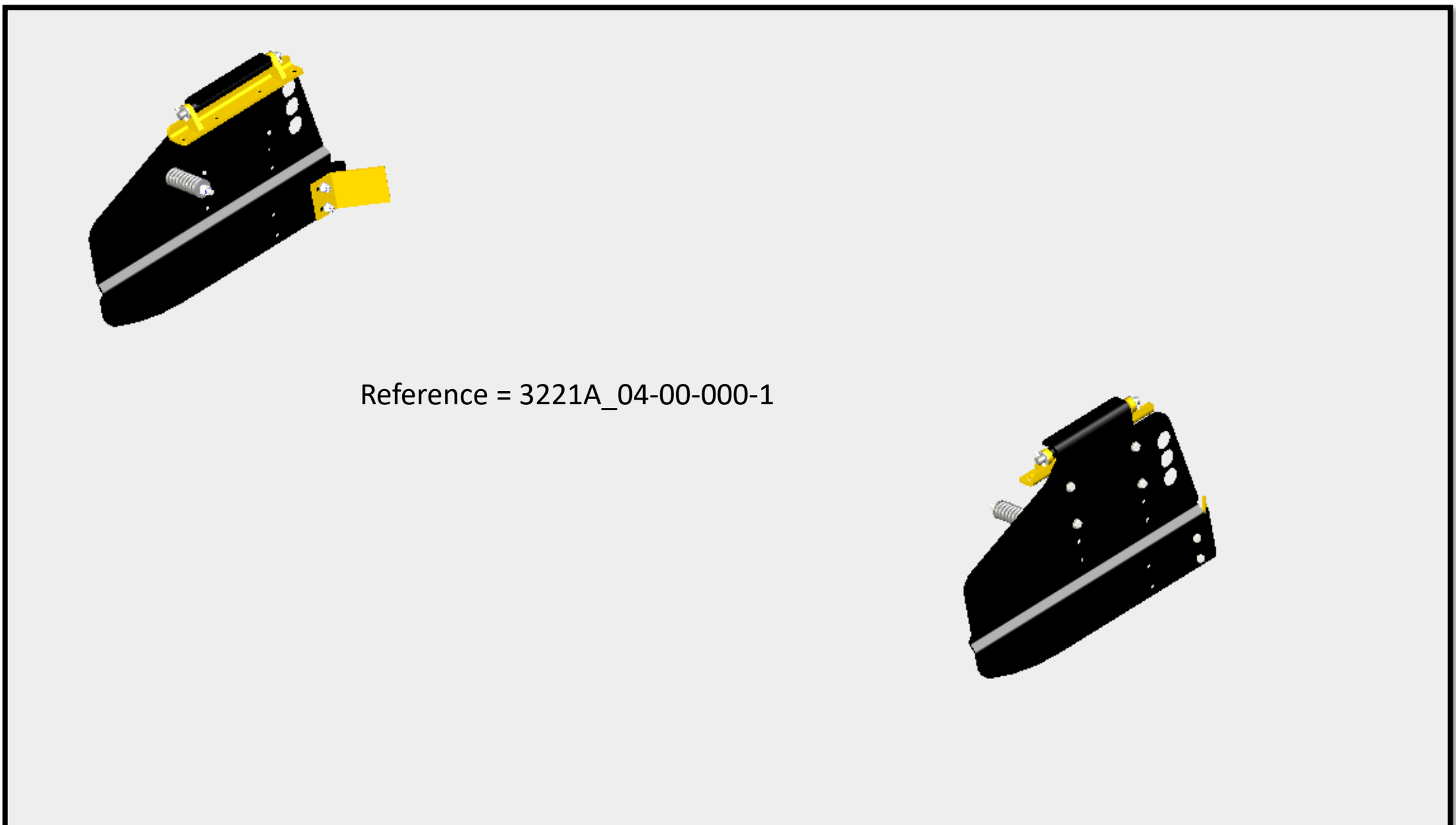
# ACT

Référence : SEM

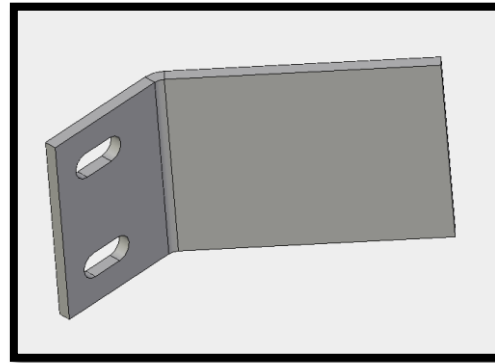
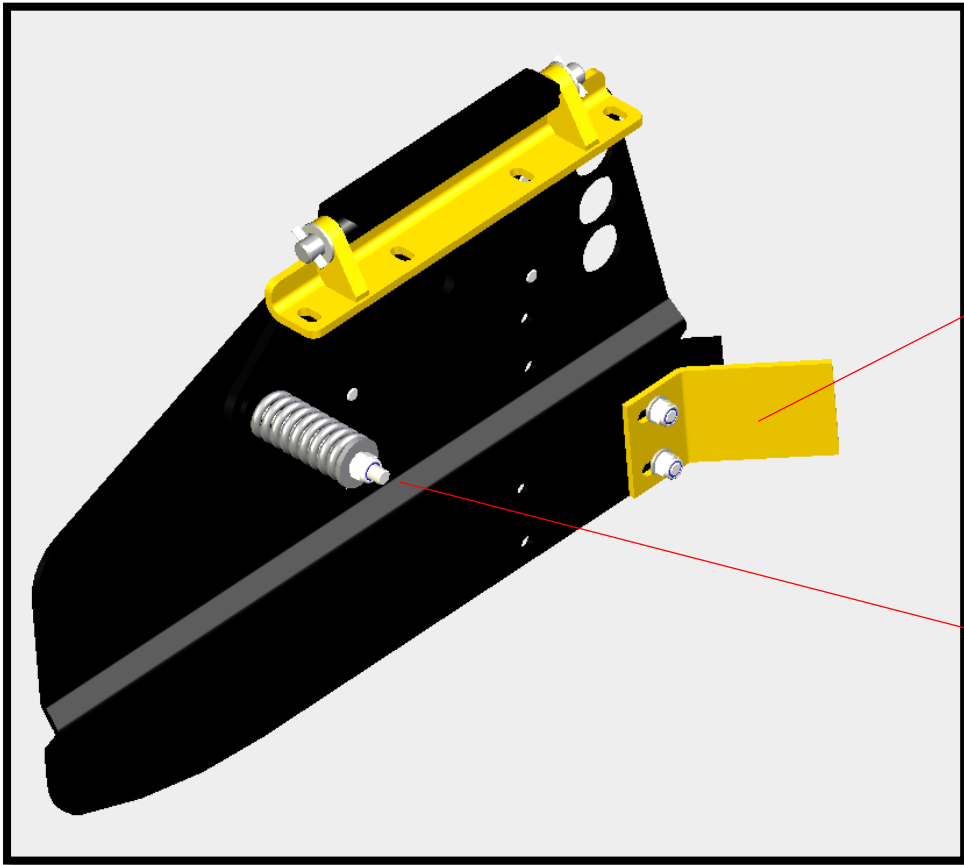




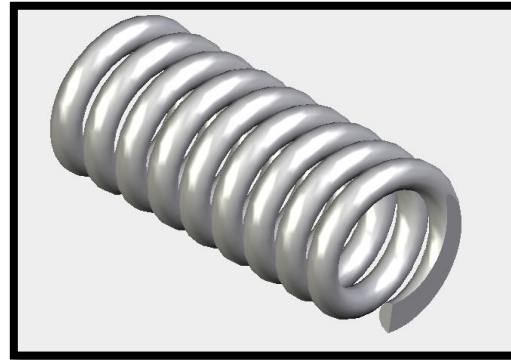
Reference = PLUS A\_02-01-000



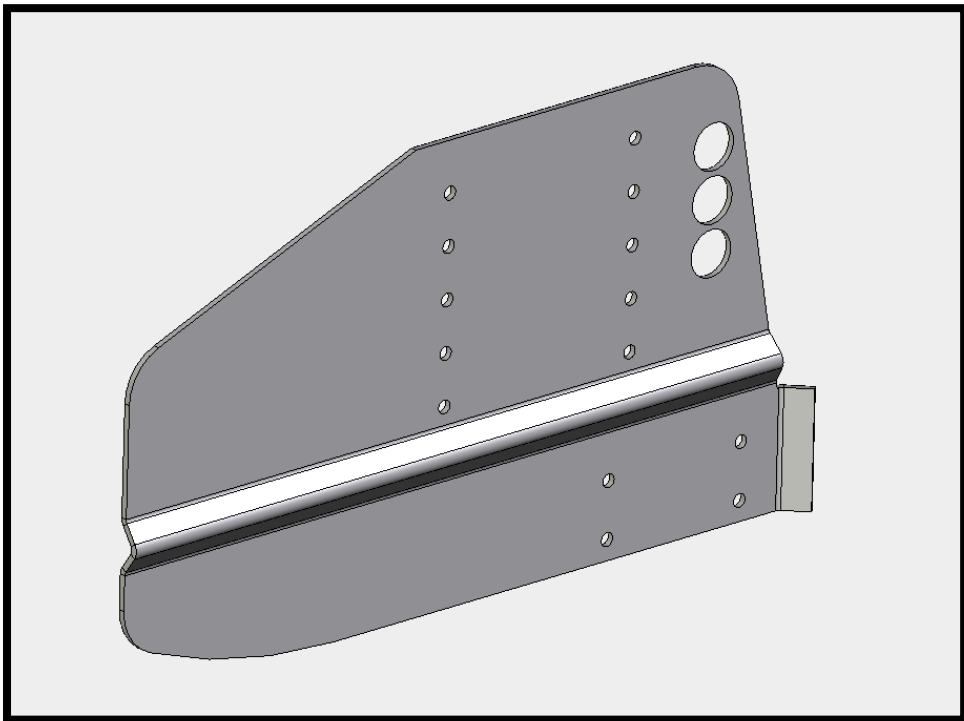
Reference = 3221A\_04-00-000-1



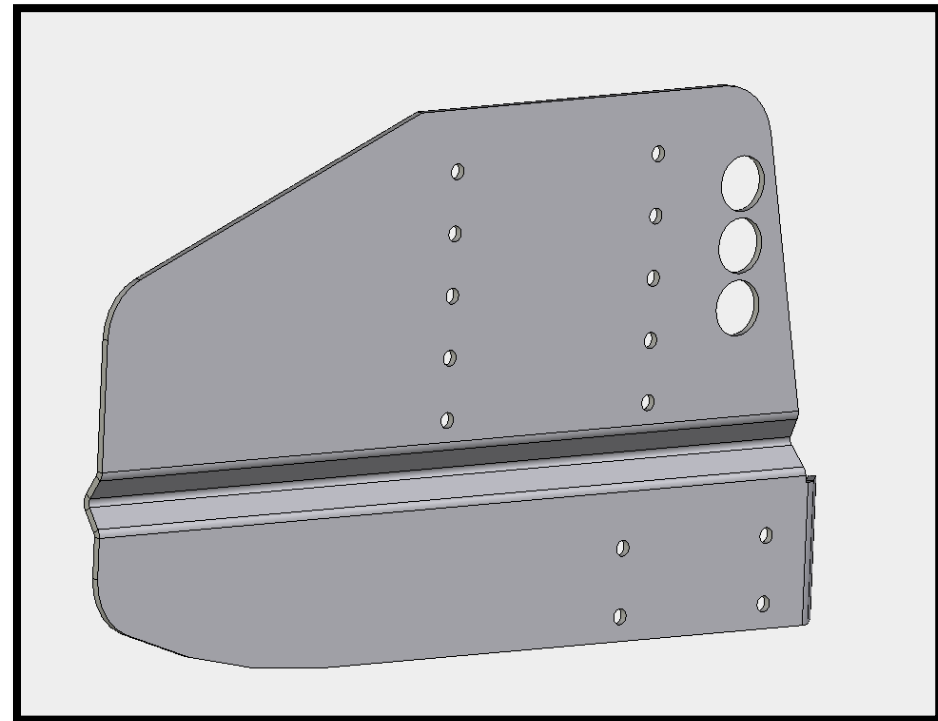
Reference = 3221A\_04-00-001



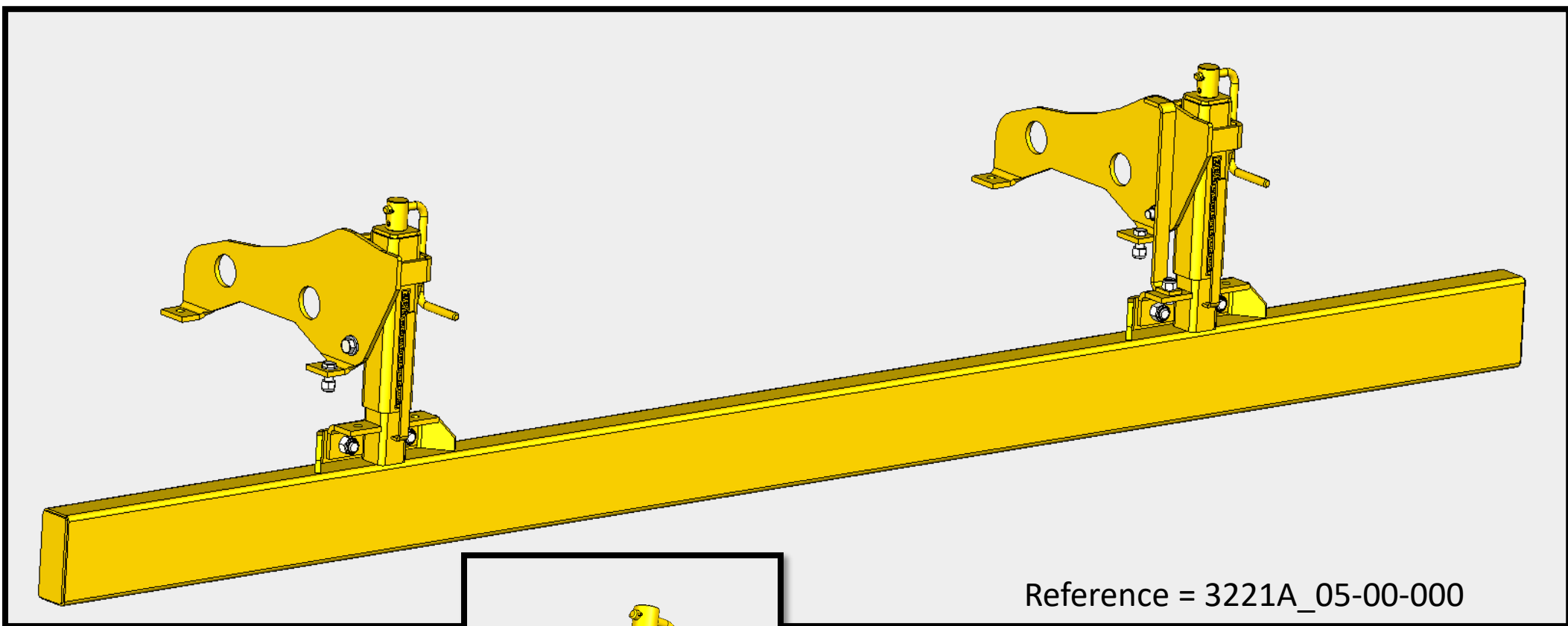
Reference = 3221A\_04-00-004



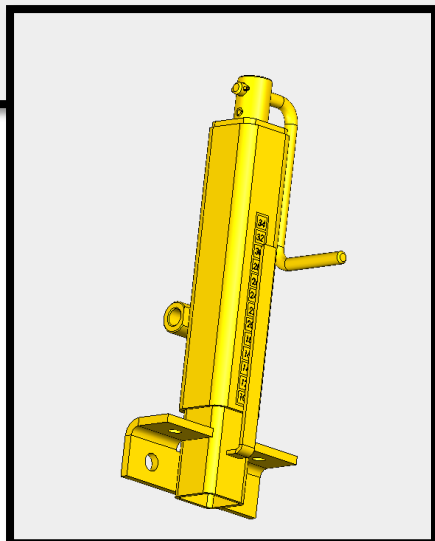
Reference = 3221A\_04-00-003



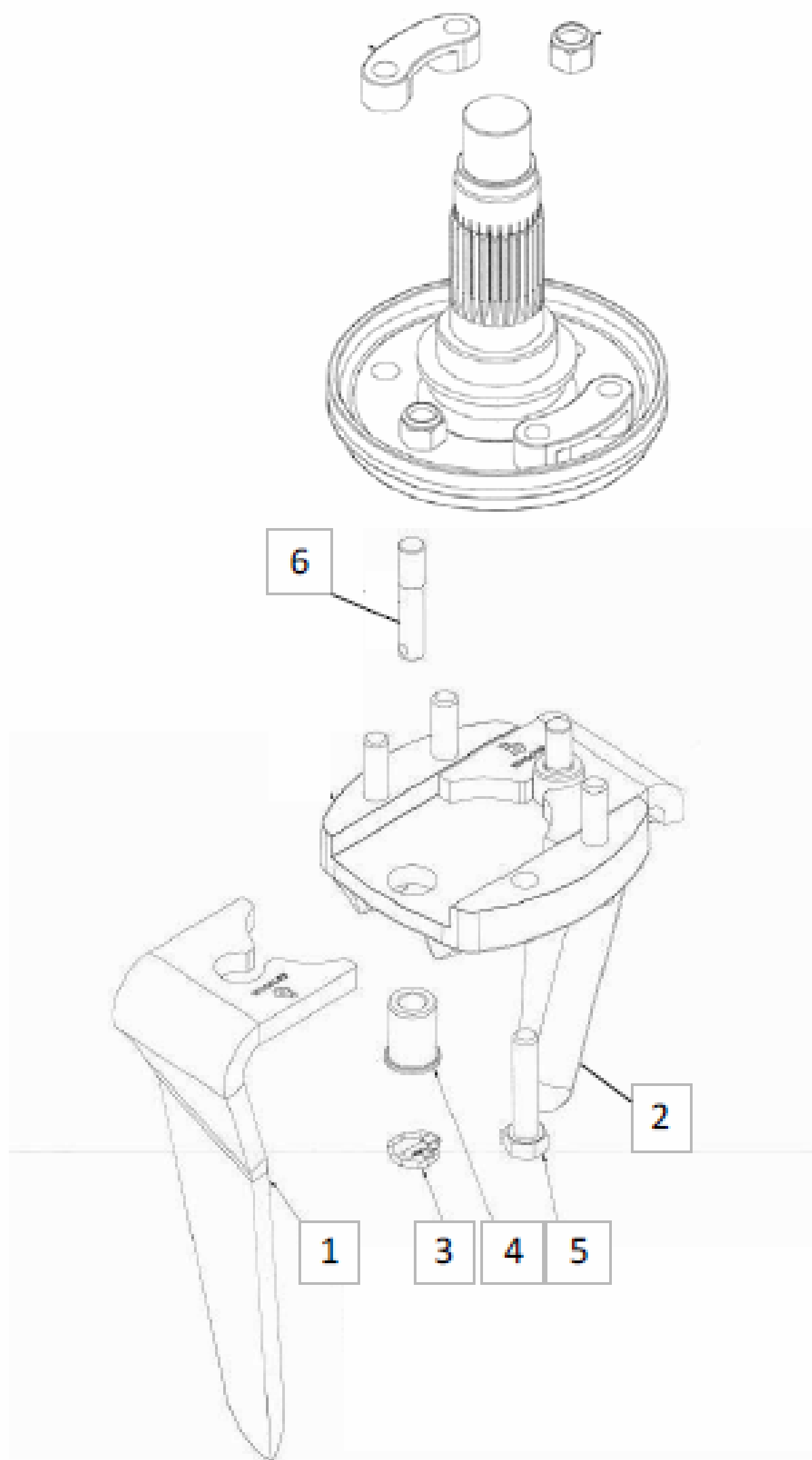
Reference = 3221A\_04-00-002



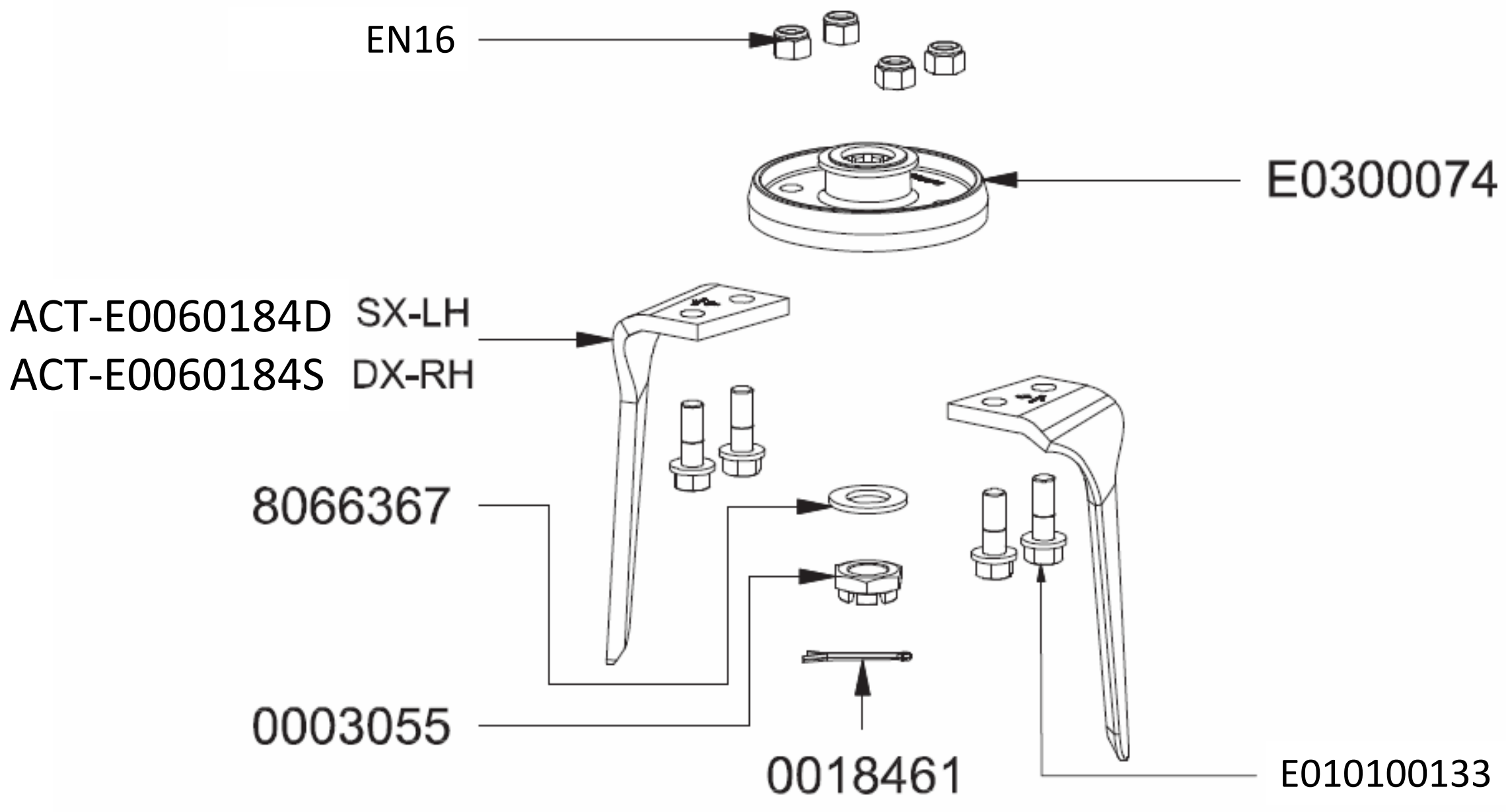
Reference = 3221A\_05-00-000

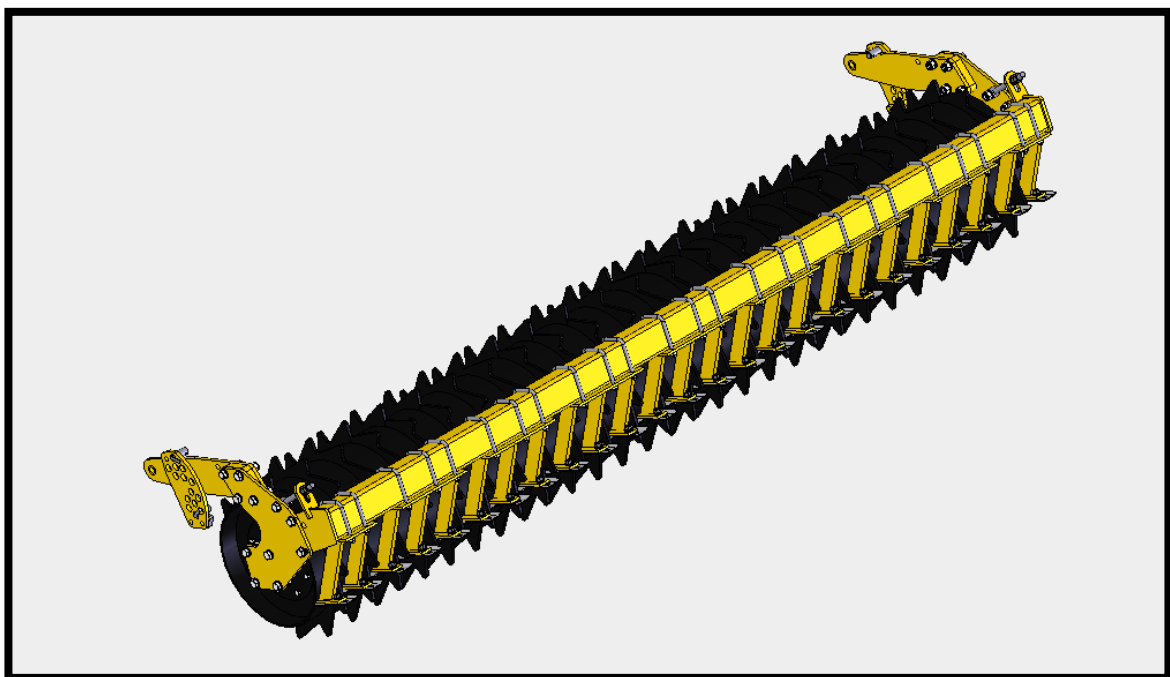


Reference = PLUS A\_05-01-000-1

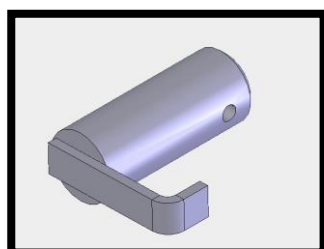
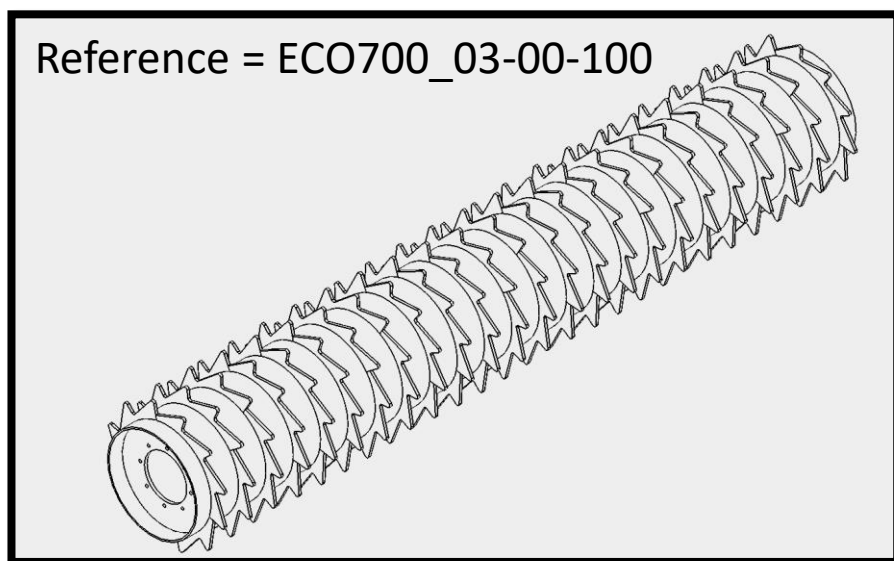


| Rep | Référence    | Désignation                   | Qté | Poids (Kg) |
|-----|--------------|-------------------------------|-----|------------|
| 1   | ACT-E0100130 | Dent HR ACTIMULCH droite      | 1   | 2,5        |
| 2   | ACT-E0100129 | Dent HR ACTIMULCH gauche      | 1   | 2,5        |
| 3   | ACT-E0100132 | Goupille de fixation de dent  | 2   | 0,02       |
| 4   | ACT-E0100131 | Douille de blocage            | 2   | 0,15       |
| 5   | ACT-E0100133 | Vis de fixation du porte dent | 4   | 0,02       |
| 6   | ACT-E0100134 | Axe de blocage de dent        | 2   | 0,4        |

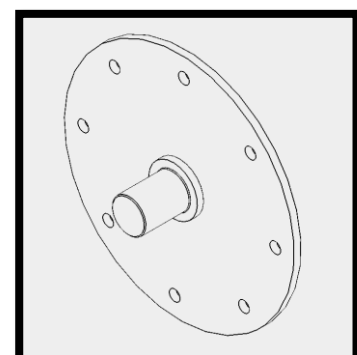




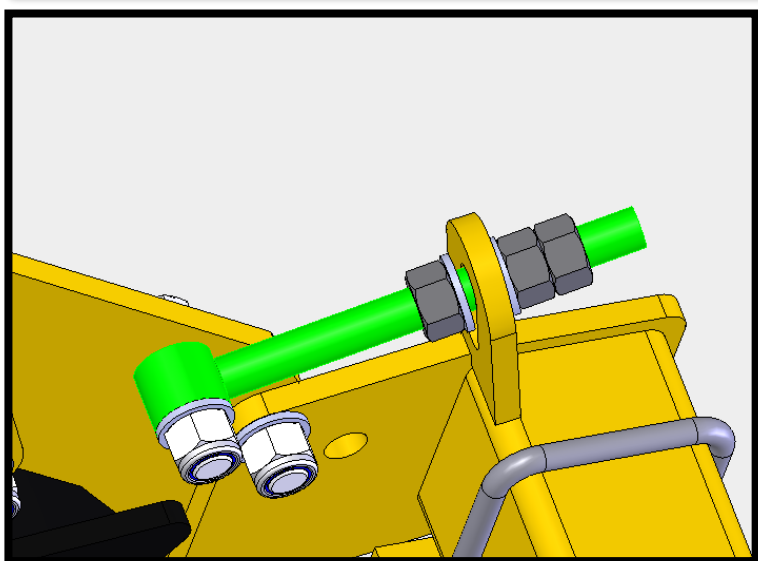
Reference = ECO700\_03-00-100



Reference = 3221A\_03-00-200



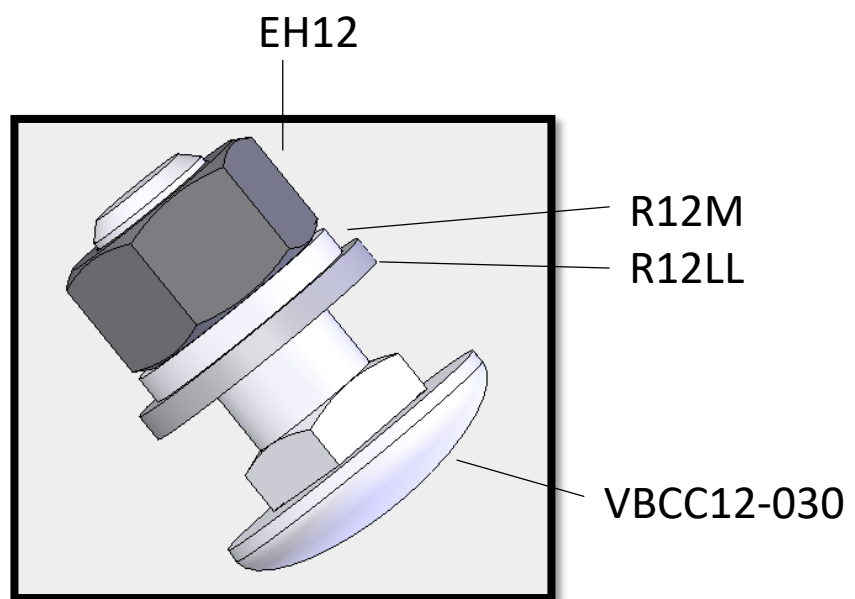
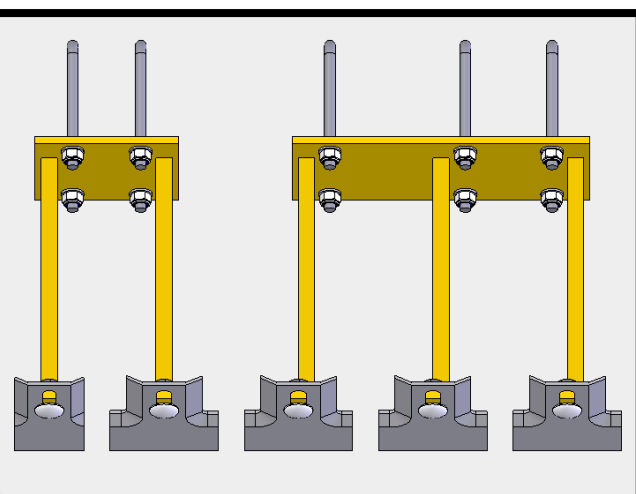
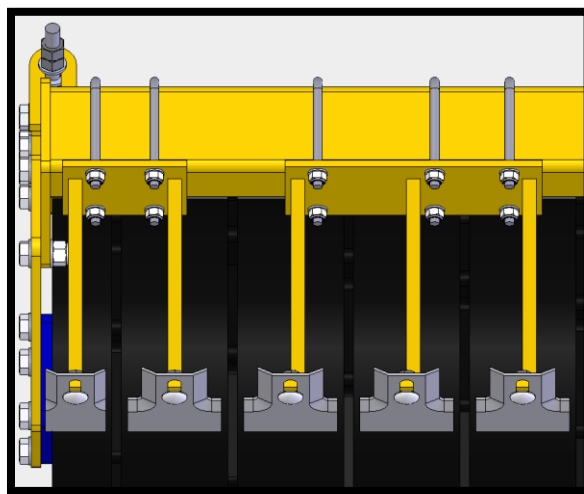
Reference = 1662\_03-02-300-1



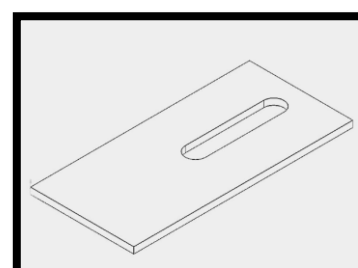
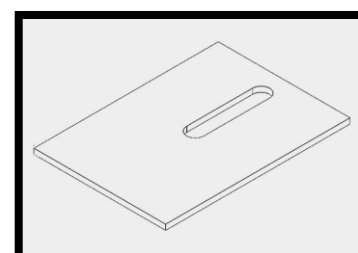
Reference = 3221A\_03-00-300



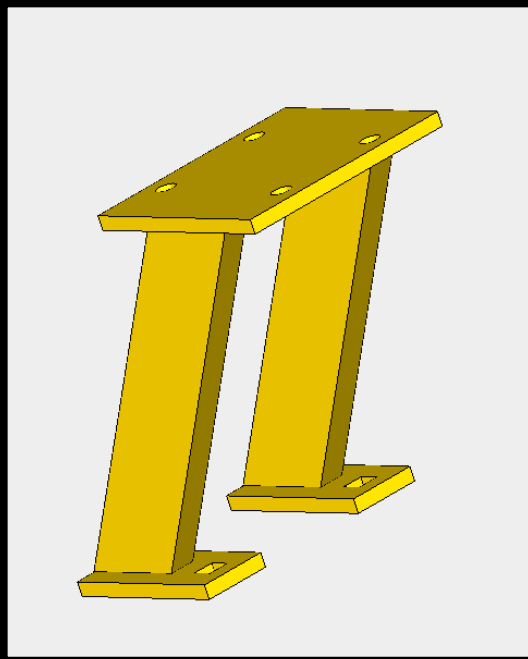
Reference = 3221A\_03-01-001



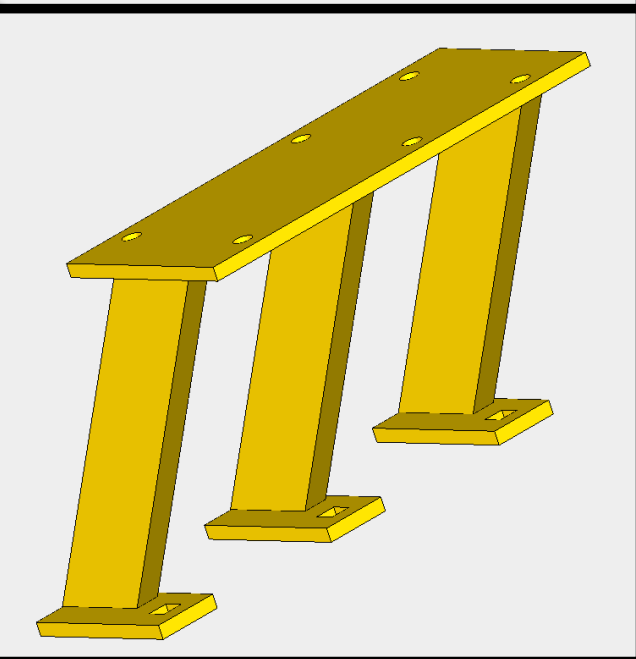
Reference =  
ACT02-06-601



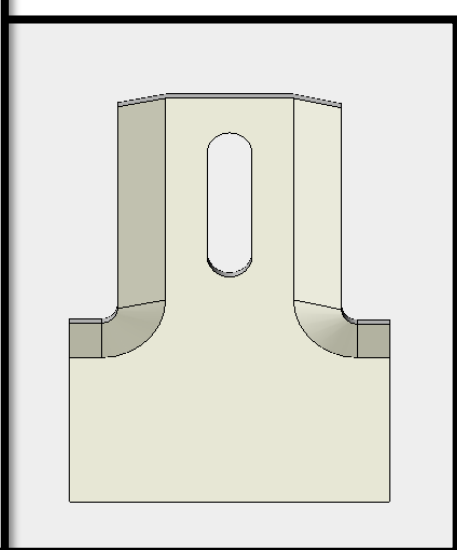
Reference =  
ACT02-06-602



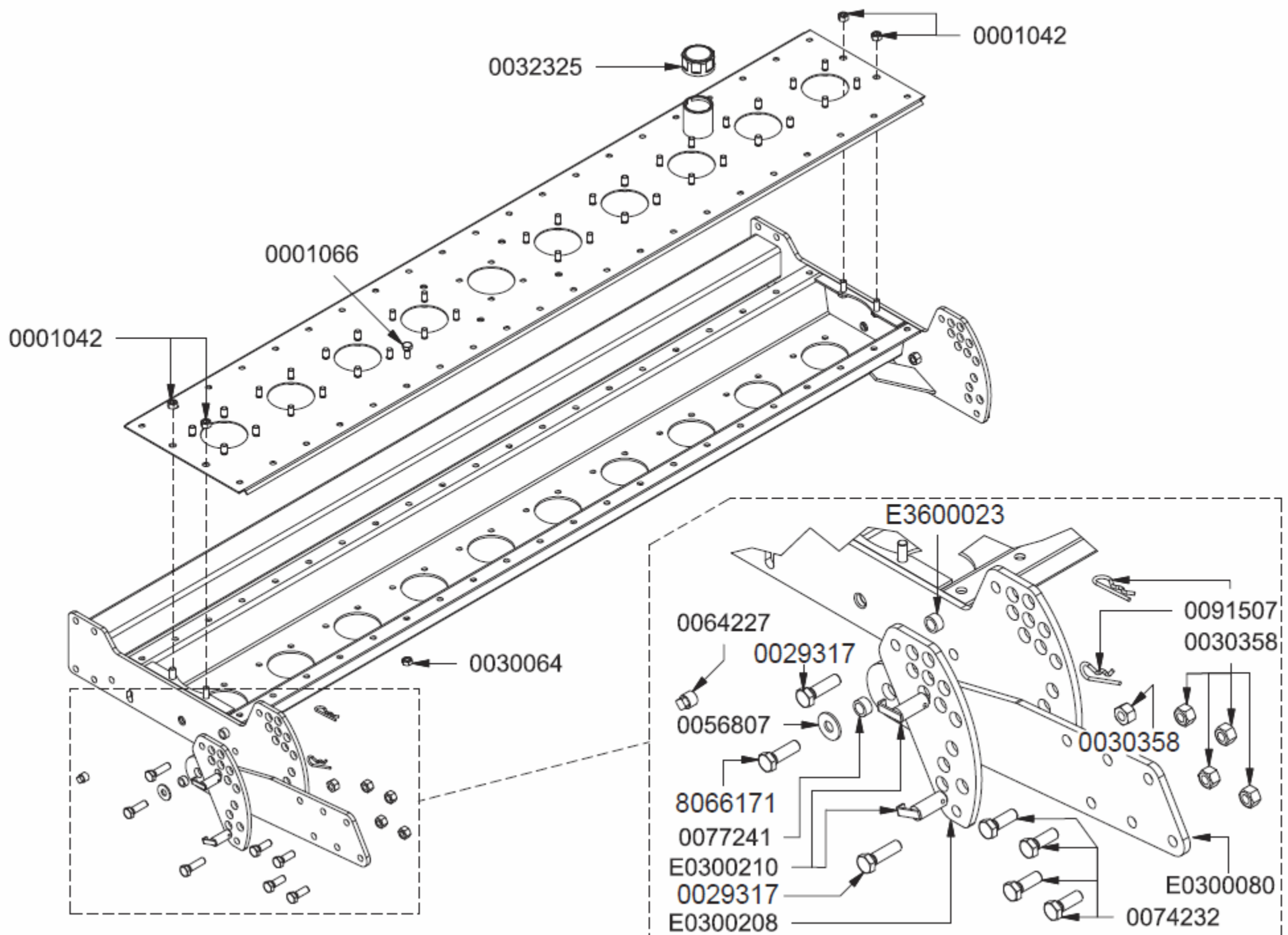
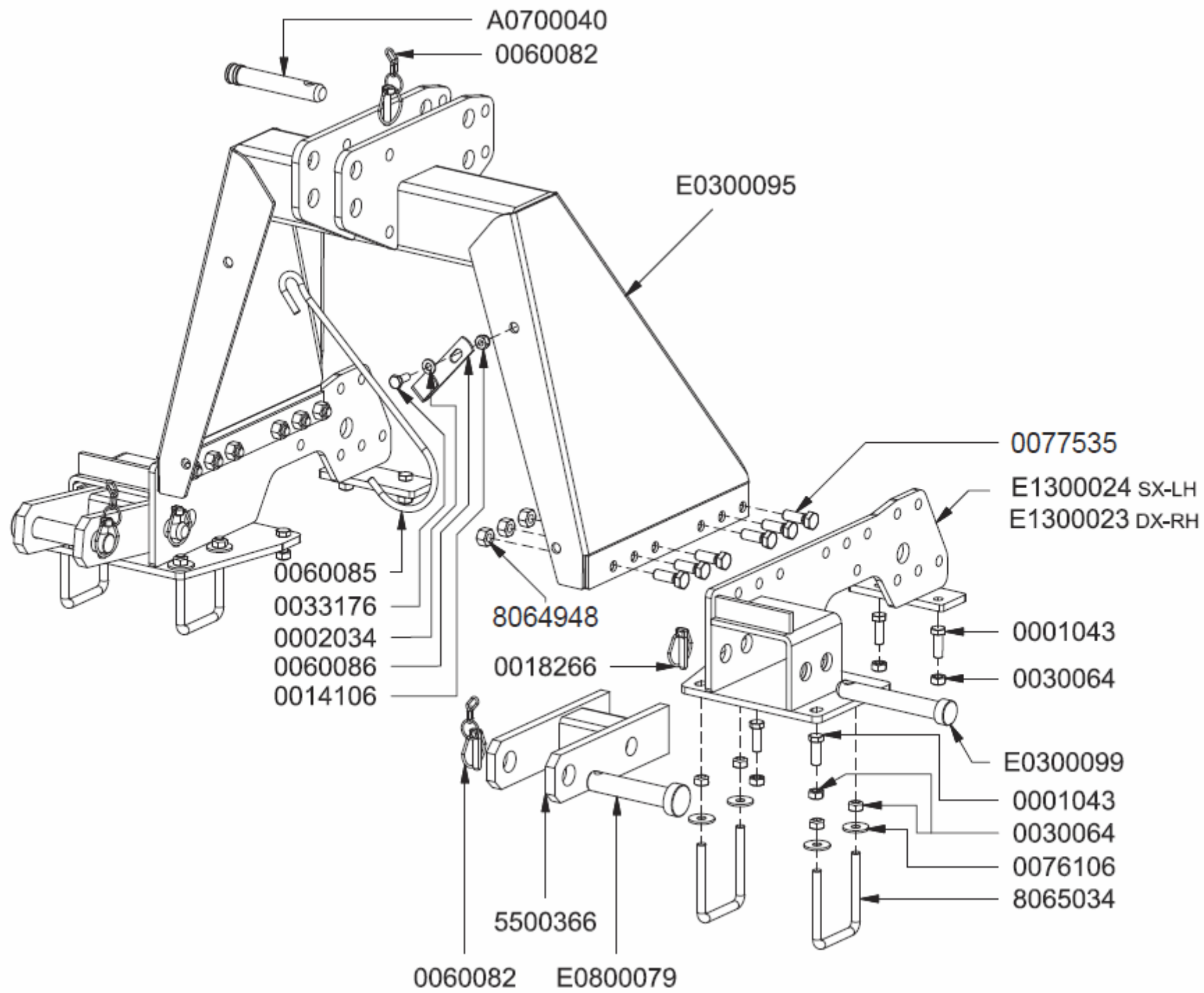
Reference =  
3221A\_03-01-500

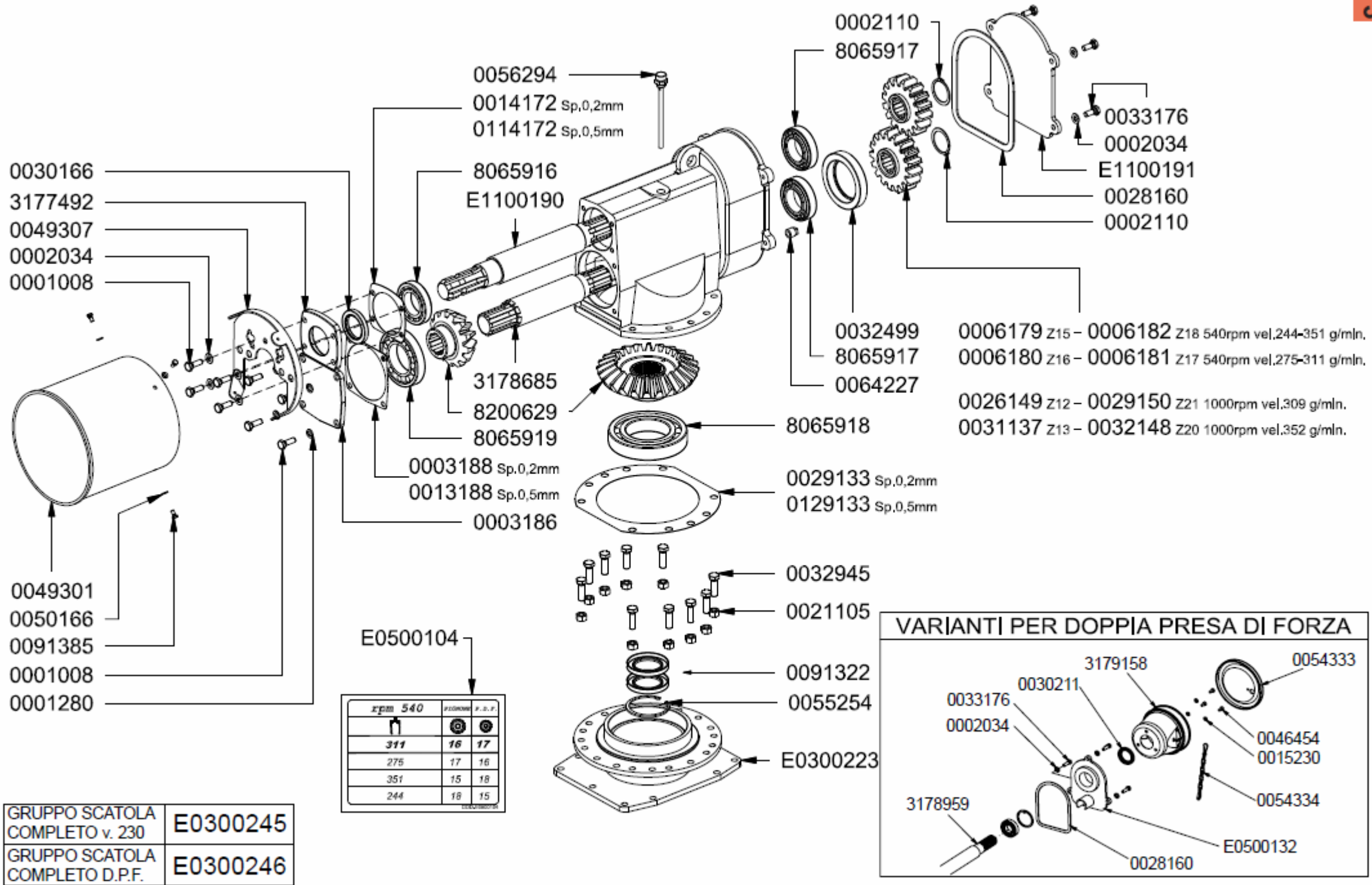


Reference =  
3221A\_03-01-400

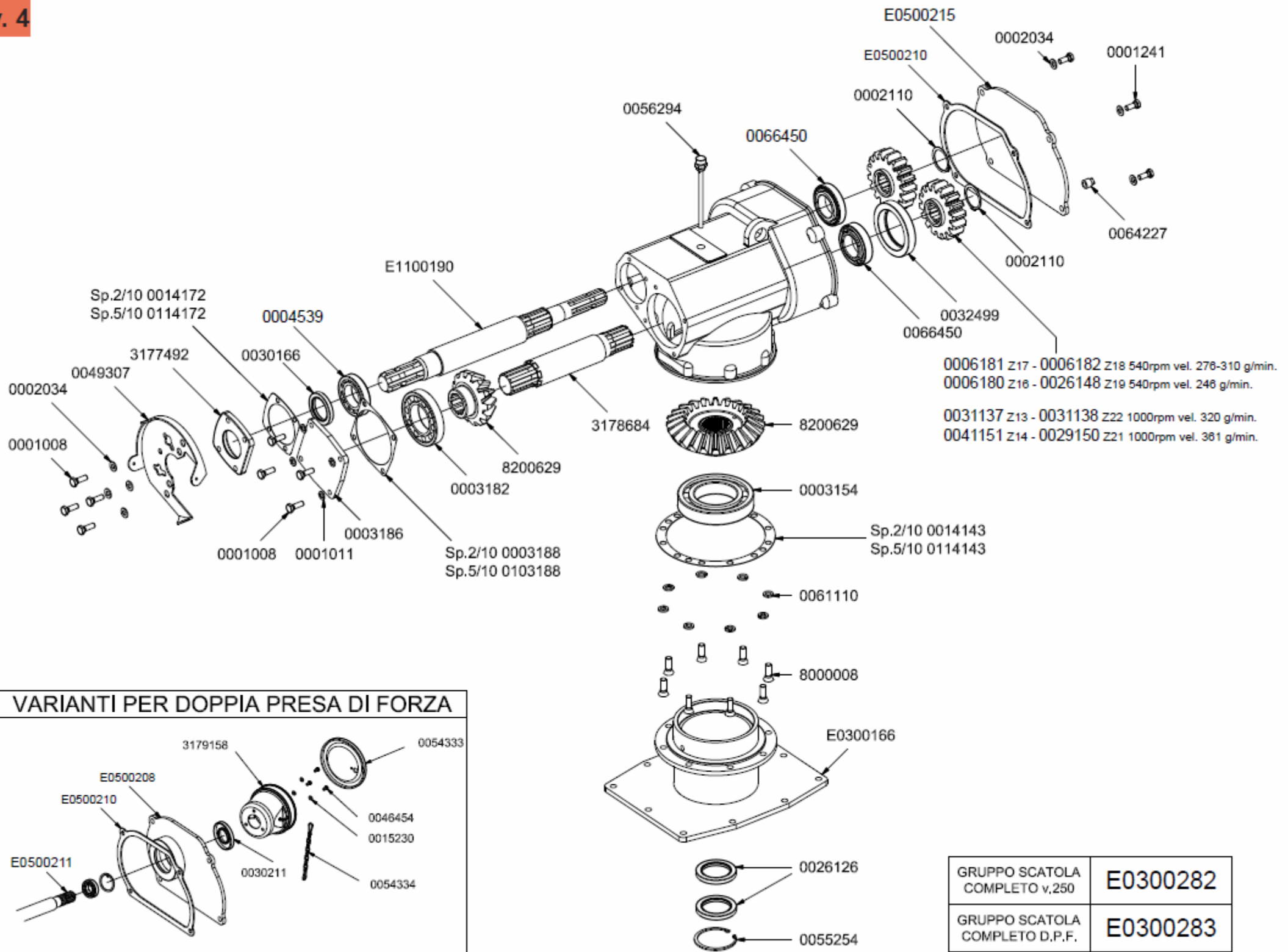


Reference =  
ACT-3178974



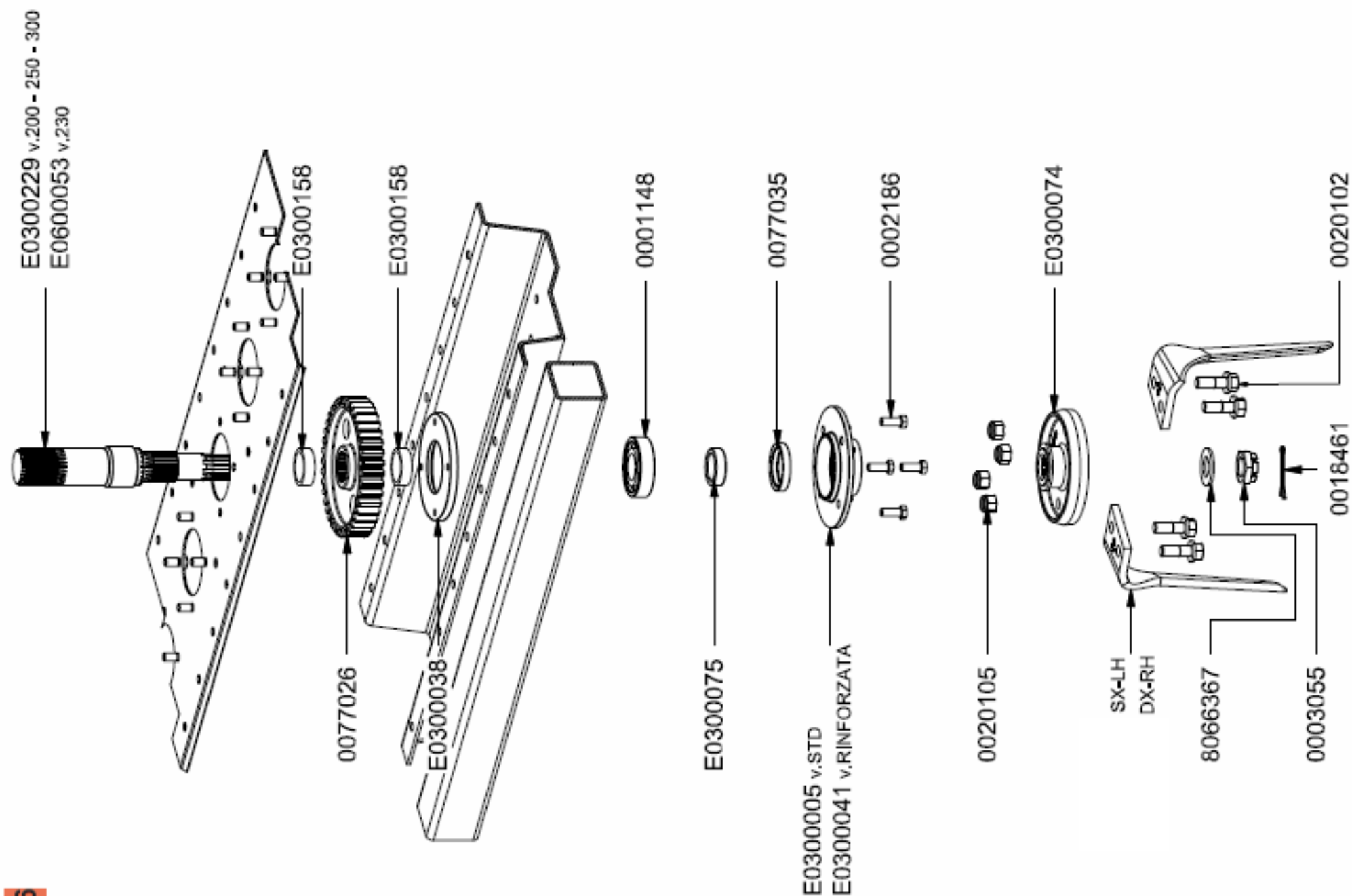


Tav. 4

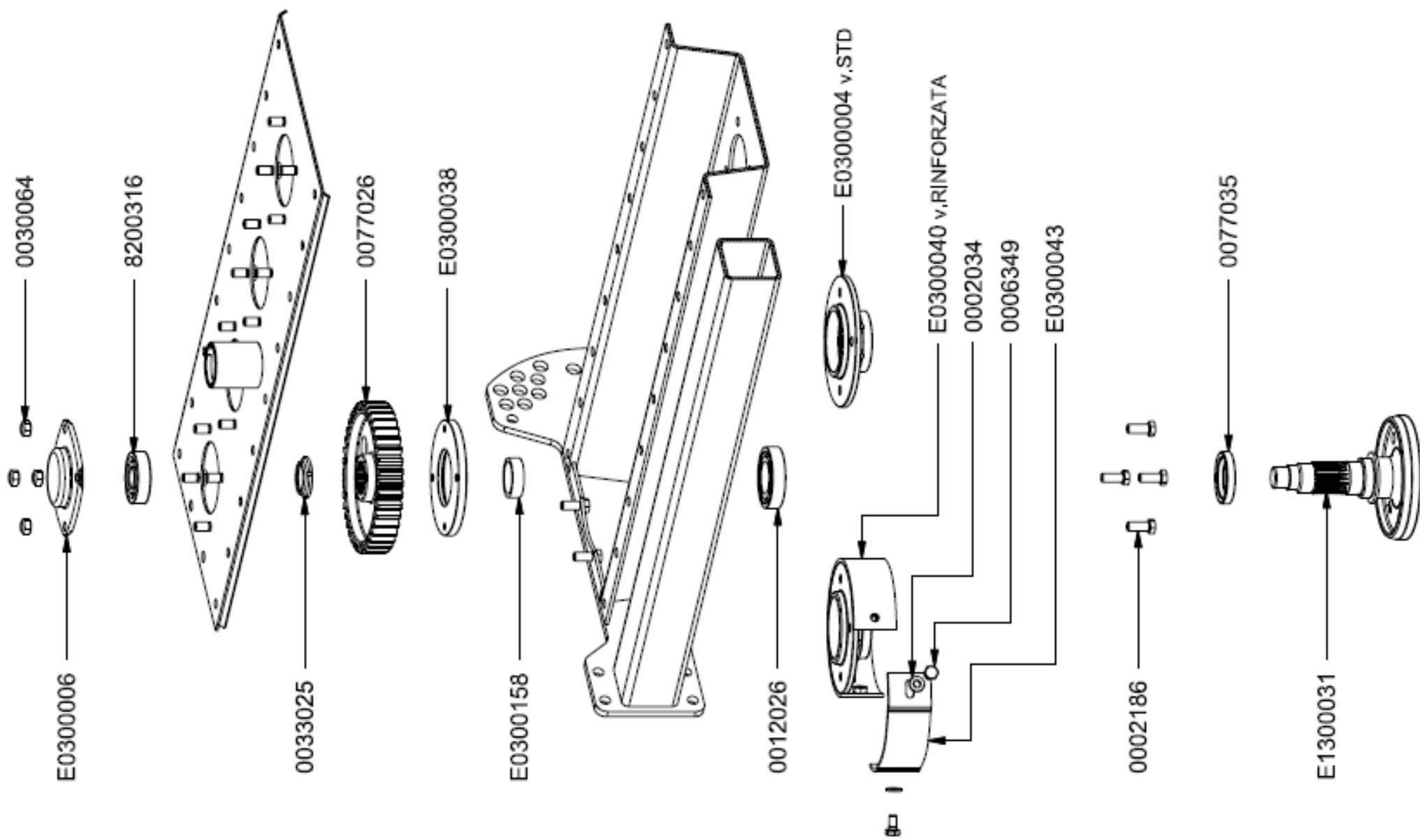




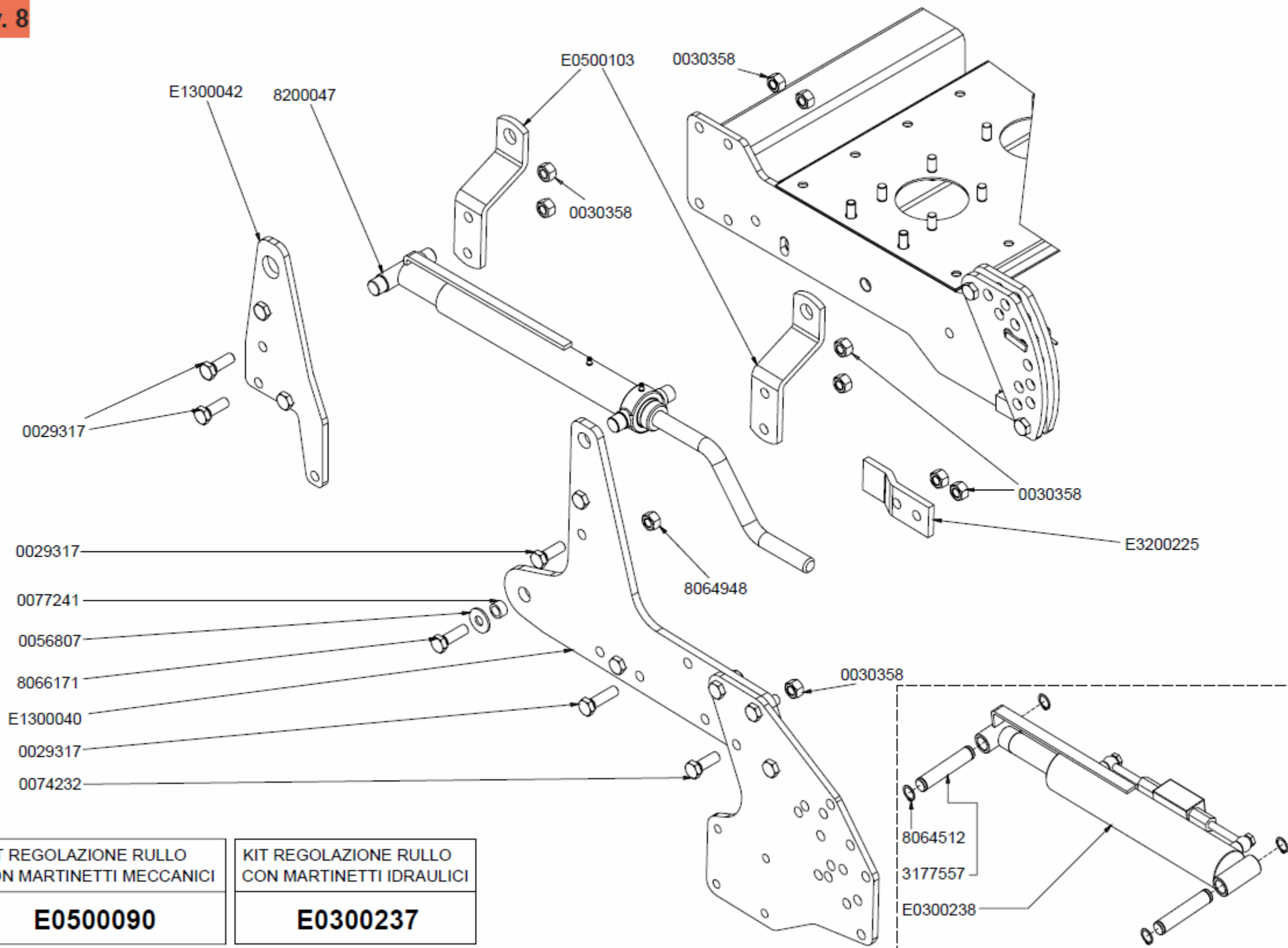
Tav. 6



Tav. 7



Tav. 8



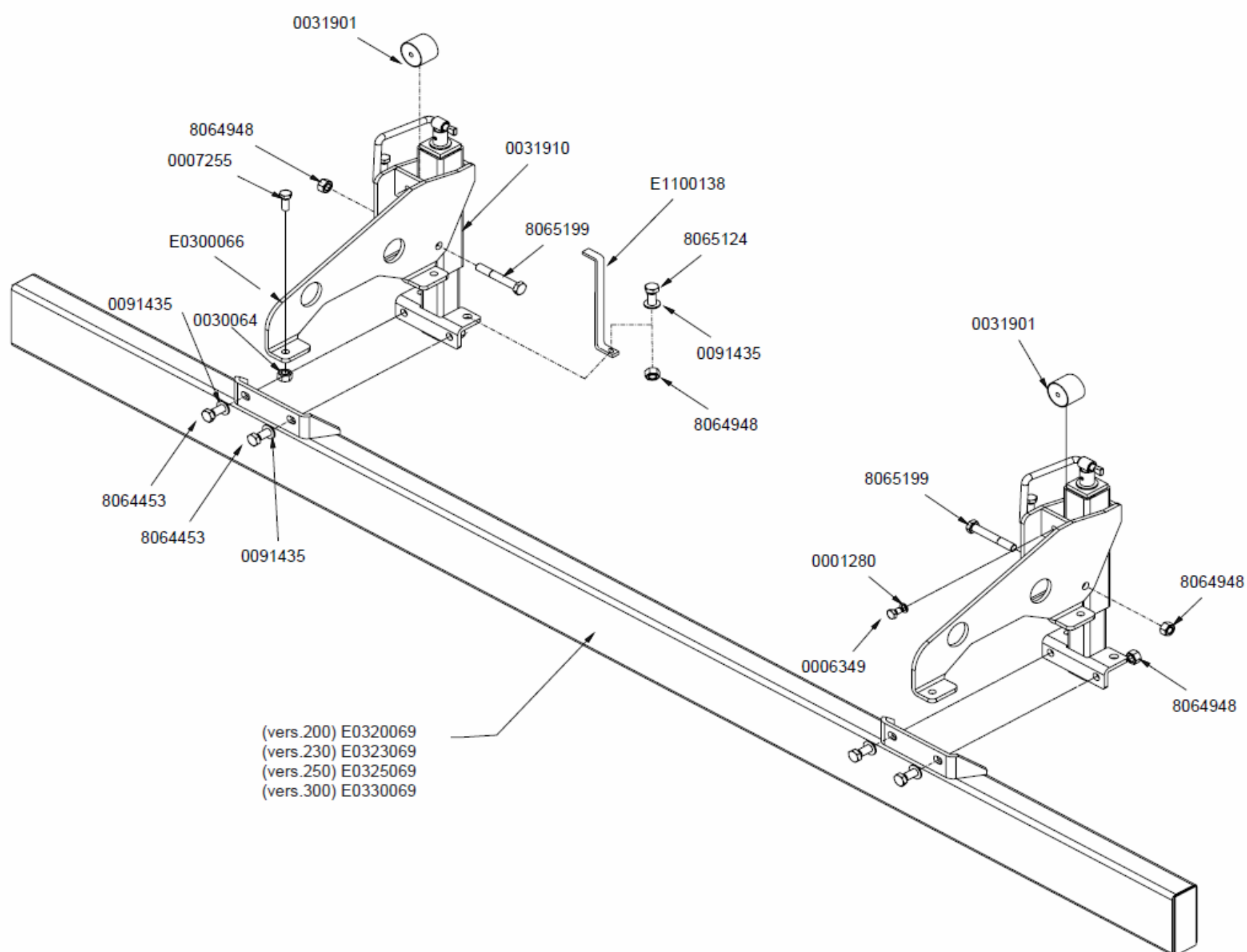
KIT REGOLAZIONE RULLO  
CON MARTINETTI MECCANICI

**E0500090**

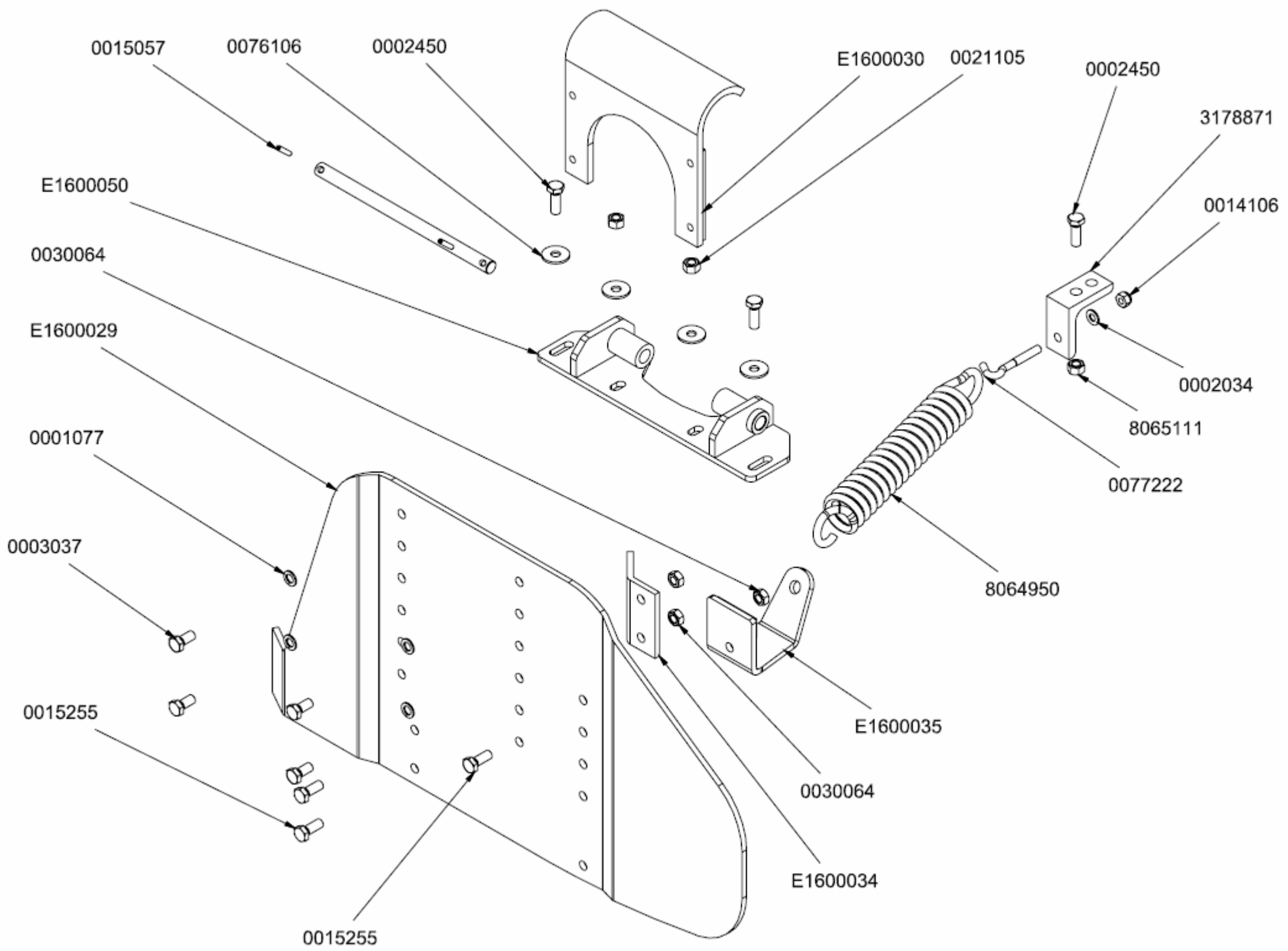
KIT REGOLAZIONE RULLO  
CON MARTINETTI IDRAULICI

**E0300237**

Tav. 9



(vers.200) E0320069  
(vers.230) E0323069  
(vers.250) E0325069  
(vers.300) E0330069



Tav. 11

